

# *Commercial Fittings*

B



## STANDARDS, 2020 NATIONAL ELECTRICAL CODE®

### GENERAL INFORMATION

When you need to couple, connect, fasten, or ground conduit or cables, RACO® fittings are your best answer.

Choose from specification grade malleable iron, steel, lightweight aluminum, or die-cast zinc materials. Many are UL Listed as raintight, concrete-tight, or liquidtight.

### PRODUCT FEATURES: RACO® FITTINGS

- Designed to save time on the job
- Locknuts won't slip or spin
- Premium set screws provide reliable continuity of ground
- Insulated throats protect conductor insulation during wire pulling

Fittings should be installed by licensed electricians in compliance with national and local electrical codes.

### STANDARDS

Where applicable, RACO® products are engineered in accordance with the standards established by Underwriters' Laboratories (UL).

Most products are UL Listed and also Canadian Standards Association (CSA) certified. Dimensional data listed in this catalog is intended for general reference with broad tolerance limits.

RACO® fittings generally conform to Federal Specifications and Standards A-A-50552, A-A-50553A, A-A-50563A, NEMA FB1, U.L. 467, U.L. 514B, and CSA Standard C22.2 no.18.3. Note: ANSI Standard C80-4 has been cancelled and replaced by NEMA FB1.

Underwriters' Laboratories, Inc. file numbers: E195969 rigid, IMC and liquidtight fittings; E195970 EMT fittings; E195971 non-metallic sheathed cable fittings; E195972 service entrance cable fittings; E195966 armored and flexible metal cable fittings; E195973 outlet bushings and fittings; E195975 grounding and bonding equipment.

For Underwriters' Laboratories, Inc. and Canadian Standards Association listing marks, see RACO® product and carton labels.



For installation guidelines and to learn more about RACO products, visit the NEMA website at <http://www.nema.org>.

The National Electrical Manufacturers Association (NEMA) website is a valuable electrical resource providing the information you need - quickly. Standards and technical information, installation guides, industry news and economic trends, events/meetings, the latest electroindustry, and legislative and regulatory information for more than fifty-one product areas ranging from arc welding to x-ray machines can be found with just a few clicks of your mouse.



**SET SCREW CONNECTORS - STEEL**

**Insulated Connectors**

**Uninsulated Connectors**

INSULATED CATALOG #	UNINSULATED CATALOG #	TRADE SIZE	UNIT CARTON QTY.	SHIP CARTON QTY.	BAR CODE
<b>Compression Connectors – Steel</b>					
2122	2002	1/2"	50	500	—
2122-8	2002-8	1/2"	1	25	
2123	2003	3/4"	25	250	—
2123-8	2003-8	3/4"	1	20	
2124	2004	1"	25	100	—
2124-8	2004-8	1"	1	10	
2125	2005	1-1/4"	—	20	—
2126	2006	1-1/2"	—	20	—
2128	2008	2"	—	20	—
2160	2140	2-1/2"	—	5	—
2162RAC	2142	3"	—	1	—
2164	2144	3-1/2"	—	1	—
2166	2146	4"	—	1	—

**APPLICATIONS**

- For use in dry locations to bond EMT conduit to a box or enclosure
- RACO® steel set-screw connectors provide concrete-tight connections when taped
- RACO® set-screw connectors are suitable for applications above 600V

**PRODUCT FEATURES**

- All steel construction ensures mechanical protection for the raceway
- Tri-head screws (1/2" to 2" trade sizes) may be installed using a slotted, Phillips, or Robertson head screwdriver
- 2-1/2" to 4" trade sizes are also UL Listed for use on Rigid/IMC conduit, allowing for design and installation flexibility
- All components are zinc-electroplated for corrosion protection
- 1/2" to 1" trade sizes have one set-screw, 1-1/4" to 4" trade sizes have two set-screws
- UPC bar coded fittings are individually polybagged with a preprinted UPC-A bar code and packaged in pre-scored tear top cartons for attractive presentation

**COMPLIANCES**
**1/2" - 2"**

- c(UL)us - Standard 514B  
C22.2 # 18

**2-1/2" - 4"**

- (UL) - Standard 514B  
UL Listed E195969, E195970



SET SCREW COUPLINGS - STEEL



**Couplings**

**APPLICATIONS**

- For use in dry locations to couple two ends of EMT conduit
- RACO® steel set-screw couplings provide concrete-tight connections when taped
- RACO® set-screw couplings are suitable for applications above 600V

**PRODUCT FEATURES**

- All steel construction ensures mechanical protection for the raceway
- Tri-head screws (1/2" to 2" trade sizes) may be installed using a slotted, Phillips, or Robertson head screwdriver
- 2-1/2" to 4" trade sizes are also UL Listed for use on Rigid/IMC conduit, allowing for design and installation flexibility
- All components are zinc-electroplated for corrosion protection
- UPC bar coded fittings are individually polybagged with a preprinted UPC-A bar code and packaged in pre-scored tear top cartons for attractive presentation

**COMPLIANCES**

**1/2" - 2"**

- cUL<sub>us</sub> - Standard 514B  
C22.2 # 18

**2-1/2" - 4"**

- UL - Standard 514B  
UL Listed E195969, E195970

CATALOG #	TRADE SIZE	UNIT CARTON QTY.	SHIP CARTON QTY.	BAR CODE
<b>Set Screw Couplings – Steel</b>				
2022	1/2"	50	500	—
2022-8	1/2"	1	25	
2023	3/4"	25	250	—
2023-8	3/4"	1	20	
2024	1"	25	100	—
2024-8	1"	1	10	
2025	1-1/4"	5	25	—
2026	1-1/2"	—	20	—
2028	2"	—	20	—
2150	2-1/2"	—	5	—
2152	3"	—	1	—
2154	3-1/2"	—	1	—
2156	4"	—	1	—





### COMPRESSION CONNECTORS - STEEL



**Insulated Throat Connectors**



**Uninsulated Throat Connectors**

INSULATED CATALOG #	UNINSULATED CATALOG #	TRADE SIZE	UNIT CARTON QTY.	SHIP CARTON QTY.	BAR CODE
<b>Compression Connectors – Steel</b>					
2912	2902	1/2"	50	500	—
2912-8	2902-8	1/2"	1	25	
2913	2903	3/4"	25	250	—
2913-8	2903-8	3/4"	1	20	
2914	2904	1"	25	100	—
2914-8	2904-8	1"	1	10	
2915	2905	1-1/4"	5	25	—
2916	2906	1-1/2"	—	20	—
2918	2908	2"	—	20	—
2960	2940	2-1/2"	—	5	—
2962	2942	3"	—	1	—
2964	2944	3-1/2"	—	1	—
2966	2946	4"	—	1	—

#### APPLICATIONS

- For use when bonding EMT conduit to a box or enclosure
- RACO® 1/2" to 4" connectors provide concrete-tight connections
- RACO® compression connectors are suitable for applications above 600V

#### PRODUCT FEATURES

- All steel construction ensures mechanical protection for the raceway
- All components are zinc-electroplated for corrosion protection
- UPC bar coded fittings are individually polybagged with a preprinted UPC-A bar code and packaged in pre-scored tear top cartons for attractive presentation

#### COMPLIANCE

- cUL<sub>us</sub> - Standard 514B  
C22.2 # 1  
UL Listed E195970



COMPRESSION COUPLINGS - STEEL



**Couplings**

**APPLICATIONS**

- For use in dry locations to couple two ends of EMT conduit
- RACO® steel compression couplings provide concrete-tight connections
- RACO® compression couplings are suitable for applications above 600V

**PRODUCT FEATURES**

- All steel construction ensures mechanical protection for the raceway
- All components are zinc-electroplated for corrosion protection
- UPC bar coded fittings are individually polybagged with a preprinted UPC-A bar code and packaged in pre-scored tear top cartons for attractive presentation

**COMPLIANCE**

- cUL<sub>us</sub> - Standard 514B  
C22.2 # 18  
UL Listed E195970

CATALOG #	TRADE SIZE	UNIT CARTON QTY.	SHIP CARTON QTY.	BAR CODE
<b>Compression Couplings – Steel</b>				
2922	1/2"	50	500	—
2922-8	1/2"	1	25	
2923	3/4"	25	250	—
2923-8	3/4"	1	15	
2924	1"	25	100	—
2924-8	1"	1	10	
2925	1-1/4"	5	25	—
2926	1-1/2"	—	20	—
2928	2"	—	20	—
2950	2-1/2"	—	5	—
2952	3"	—	1	—
2954	3-1/2"	—	1	—
2956	4"	—	1	—

SEE END OF SECTION (PG B92) FOR DETAILED DRAWINGS >>




**RAINTIGHT COMPRESSION CONNECTORS - STEEL**

**Insulated Connectors**

**Uninsulated Connectors**

INSULATED CATALOG #	UNINSULATED CATALOG #	TRADE SIZE	UNIT CARTON QTY.	SHIP CARTON QTY.	BAR CODE
<b>Compression Connectors, Raintight – Steel</b>					
2912RT	2902RT	1/2"	50	250	—
2913RT	2903RT	3/4"	25	125	—
2914RT	2904RT	1"	15	75	—
2915RT	2905RT	1-1/4"	—	20	—
2916RT	2906RT	1-1/2"	—	10	—
2918RT	2908RT	2"	—	10	—
2960RT	2940RT	2-1/2"	—	1	—
2962RT	2942RT	3"	—	1	—
2964RT	2944RT	3-1/2"	—	1	—
2966RT	2946RT	4"	—	1	—

**APPLICATIONS**

- For use in wet locations to bond and secure EMT conduit to a box or enclosure
- RACO® Raintight Steel EMT compression fittings are designed to comply with new UL raintight test requirements and to comply with the requirements of the 2014 NEC 358.42 and 314.15

**PRODUCT FEATURES**

- All steel construction ensures mechanical protection for the raceway
- Available in 1/2" to 4" trade sizes
- Zinc-electroplate finish
- All fittings are marked "Wet Locations" to allow inspecting authorities to immediately determine that the installation is up to code
- All connectors are supplied with a factory installed knockout seal. No need for the expense of buying a separate gasket
- No need to disassemble the fitting prior to installation. RACO Raintight Steel EMT compression fittings are designed to come out of the carton ready to install directly on the conduit. No need to waste time loosening compression nuts
- No special tools required. Install these fittings like any other Steel EMT compression fitting. No need for a torque wrench to insure proper installation

**COMPLIANCE**

- - Standard 514B  
C22.2 # 18  
UL Listed E195970





RAINTIGHT COMPRESSION COUPLINGS - STEEL



**Couplings**

**APPLICATIONS**

- For use in wet locations to couple two ends of EMT conduit
- RACO® Raintight Steel EMT compression fittings are designed to comply with new UL Raintight test requirements and to comply with the requirements of the 2014 NEC 358.42 and 314.15

**PRODUCT FEATURES**

- All steel construction ensures mechanical protection for the raceway
- Available in 1/2" to 4" trade sizes
- Zinc-electroplate finish
- All fittings are marked "Wet Locations" to allow inspecting authorities to immediately determine that the installation is up to code
- No need to disassemble the fitting prior to installation. RACO Raintight Steel EMT compression fittings are designed to come out of the carton ready to install directly on the conduit. No time wasted loosening compression nuts
- No special tools required. Install these fittings like any other Steel EMT compression fitting. No need for a torque wrench to insure proper installation

**COMPLIANCE**

- cUL<sub>us</sub> - Standard 514B  
C22.2 # 18  
UL Listed E195970

CATALOG #	TRADE SIZE	UNIT CARTON QTY.	SHIP CARTON QTY.	BAR CODE
<b>Compression Couplings – Steel</b>				
2922RT	1/2"	50	250	—
2923RT	3/4"	25	125	—
2924RT	1"	15	75	—
2925RT	1-1/4"	—	20	—
2926RT	1-1/2"	—	10	—
2928RT	2"	—	10	—
2950RT	2-1/2"	—	1	—
2952RT	3"	—	1	—
2954RT	3-1/2"	—	1	—
2956RT	4"	—	1	—



### INDENTER CONNECTORS - STEEL



**Insulated Connectors**



**Uninsulated Connectors**

INSULATED CATALOG #	UNINSULATED CATALOG #	TRADE SIZE	UNIT CARTON QTY.	SHIP CARTON QTY.	BAR CODE
<b>Connectors – Steel</b>					
1992	1972	1/2"	50	500	—
1993	—	3/4"	25	250	—

#### APPLICATIONS

- For use in dry locations to bond EMT conduit to a box or enclosure
- RACO® Indenter connectors provide concrete-tight connections when taped

#### PRODUCT FEATURES

- All steel construction ensures mechanical protection for the raceway
- All components are zinc-electroplated for corrosion protection



SET SCREW CONNECTORS - DIE-CAST



**Insulated Connectors**



**Uninsulated Connectors**

**APPLICATIONS**

- For use in dry locations to bond EMT conduit to a box or enclosure
- RACO® die-cast set-screw connectors provide concrete-tight connections when taped
- RACO® set-screw connectors are suitable for applications above 600V

**PRODUCT FEATURES**

- Rugged metallic construction ensures mechanical protection for the raceway
- 2-1/2" to 4" trade sizes are UL Listed for use on Rigid/IMC conduit, allowing for installation flexibility

**COMPLIANCE**

- FILE E195970

INSULATED CATALOG #	UNINSULATED CATALOG #	TRADE SIZE	UNIT CARTON QTY.	SHIP CARTON QTY.	BAR CODE
<b>Set Screw Connectors – Die-Cast Zinc</b>					
2634	2602	1/2"	50	500	—
2635	2603	3/4"	25	250	—
2636	2604	1"	50	200	—
2637	2605	1-1/4"	25	100	—
2638	2606	1-1/2"	10	40	—
2639	2608	2"	5	20	—
2648	2640	2-1/2"	—	12	—
2649	2642	3"	—	12	—
2650	—	3-1/2"	—	10	—
—	2644	3-1/2"	—	6	—
2651	2646	4"	—	6	—

SEE END OF SECTION (PG B92) FOR DETAILED DRAWINGS >>






**SET SCREW COUPLINGS AND OFFSETS - DIE-CAST**

**Couplings**

**Offset Connectors**

CATALOG #	TRADE SIZE	UNIT CARTON QTY.	SHIP CARTON QTY.	BAR CODE
<b>Couplings – Die-Cast Zinc</b>				
2622	1/2"	50	500	—
2623	3/4"	25	250	—
2624	1"	50	200	—
2625	1-1/4"	25	100	—
2626	1-1/2"	10	40	—
2628	2"	5	20	—
2670	2-1/2"	—	12	—
2672	3"	—	12	—
2674	3-1/2"	—	6	—
2676	4"	—	6	—
<b>3/8" Offset Connectors – Die-Cast Zinc</b>				
1762	1/2"	—	50	—
1763	3/4"	—	25	—

**COUPLINGS AND OFFSET CONNECTORS APPLICATIONS**

- RACO® die-cast set-screw couplings provide concrete-tight connections when taped
- RACO® set-screw couplings are suitable for applications above 600V

**COUPLINGS APPLICATION**

- For use in dry locations to couple two ends of EMT conduit

**OFFSETS CONNECTORS APPLICATION**

- For use in dry locations to bond EMT conduit to a box or enclosure

**COUPLINGS AND OFFSET CONNECTORS PRODUCT FEATURE**

- Rugged metallic construction provides mechanical protection for the raceway

**COUPLINGS PRODUCT FEATURE**

- 2-1/2" to 4" trade sizes are UL Listed for use on Rigid/IMC conduit, allowing for installation flexibility

**COMPLIANCES**

- FILE E195969
- - C22.2 # 18



HANDY ELLS - DIE-CAST



**90° Handy Ells Couplings**



**90° Handy Ells Connectors**

**APPLICATIONS**

- For use in dry locations to bond EMT conduit to a box or enclosure, or to couple two ends of EMT conduit
- Use handy ells when bending conduit is not practical

**PRODUCT FEATURE**

- Cover included

**COMPLIANCE**

- FILE E195969
- - C22.2 # 18

CATALOG #	TRADE SIZE	UNIT CARTON QTY.	SHIP CARTON QTY.	BAR CODE
<b>90° Handy Ells – Die-Cast Zinc Couplings</b>				
2752	1/2"	10	100	—
2753	3/4"	5	50	—
2754	1"	—	25	—
<b>90° Handy Ells – Die-Cast Zinc Connectors</b>				
2762	1/2"	10	100	—
2763	3/4"	5	50	—

SEE END OF SECTION (PG B93) FOR DETAILED DRAWINGS >>


**COMPRESSION COUPLINGS - DIE-CAST**

**Couplings**

CATALOG #	TRADE SIZE	UNIT CARTON QTY.	SHIP CARTON QTY.	BAR CODE
<b>Offset Connectors – Die-Cast Zinc</b>				
2822	1/2"	50	500	—
2823	3/4"	25	250	—
2824	1"	50	200	—
2825	1-1/4"	25	100	—
2826	1-1/2"	10	40	—
2828	2"	5	20	—
2870	2-1/2"	—	12	—
2872	3"	—	12	—
2874	3-1/2"	—	10	—
2876	4"	—	6	—

**APPLICATIONS**

- Use to couple two ends of EMT conduit
- RACO® compression couplings are suitable for applications above 600V
- RACO® 1/2" to 4" couplings provide concrete-tight connections

**PRODUCT FEATURES**

- Rugged metallic construction provides mechanical protection for the raceway
- Hex compression nuts assure easy wrench installation

**COMPLIANCES**

- FILE E195970
- - C22.2 # 18





COMPRESSION CONNECTORS - DIE-CAST



**Insulated Throat Connectors**



**Uninsulated Connectors**

**APPLICATIONS**

- Use to bond EMT conduit to a box
- RACO® 1/2" to 4" connectors provide concrete-tight connections
- RACO® compression connectors are suitable for applications above 600V

**PRODUCT FEATURES**

- Rugged metallic construction provides mechanical protection for the raceway
- Oversized hex compression nuts assure easy wrench installation

**COMPLIANCES**

- FILE E195970
- - C22.2 # 18

INSULATED CATALOG #	UNINSULATED CATALOG #	TRADE SIZE	UNIT CARTON QTY.	SHIP CARTON QTY.	BAR CODE
<b>Compression Connectors – Die-Cast Zinc</b>					
2832	2802	1/2"	50	500	—
2833	2803	3/4"	25	250	—
2834	2804	1"	50	200	—
2835	2805	1-1/4"	25	100	—
2836	2806	1-1/2"	10	40	—
2838	2808	2"	5	20	—
2890	2840	2-1/2"	—	12	—
2892	2842	3"	—	12	—
2894	2844	3-1/2"	—	10	—
2896	2846	4"	—	6	—

SEE END OF SECTION (PG B94) FOR DETAILED DRAWINGS >>




**COMPRESSION OFFSET CONNECTORS - DIE-CAST**

**Offset Connectors**

CATALOG #	TRADE SIZE	UNIT CARTON QTY.	SHIP CARTON QTY.	BAR CODE
<b>Offset Connectors – Die-Cast Zinc</b>				
1952	1/2"	—	50	—
1953	3/4"	—	25	—

**PRODUCT APPLICATIONS**

- Use to bond EMT conduit to a box
- RACO® compression offset connectors are suitable for applications above 600V

**PRODUCT FEATURES**

- Rugged metallic construction provides mechanical protection for the raceway
- Hex compression nuts assure easy wrench installation

**COMPLIANCES**

- FILE E195970
- - C22.2 # 18



90° SHORT ANGLE CONNECTORS - MALLEABLE IRON



**90° Short Angle Connectors**

**APPLICATIONS**

- To bond EMT conduit to a box or enclosure
- Use 90 degree short angle connectors when bending conduit is not practical

**PRODUCT FEATURES**

- Malleable construction ensures mechanical protection for the raceway
- Hex compression nuts assure easy wrench installation
- All components are zinc-electroplated for corrosion protection

**COMPLIANCES**

- - Standard 514B

CATALOG #	TRADE SIZE	UNIT CARTON QTY.	SHIP CARTON QTY.	BAR CODE
<b>90° Short Angle Connectors – Malleable Iron</b>				
2072	1/2"	25	100	—
2073	3/4"	—	25	—

SEE END OF SECTION (PG B94) FOR DETAILED DRAWINGS >>



## EMT TWO-PIECE CONNECTORS AND COUPLINGS

### TWO-PIECE CONNECTORS AND COMBINATION COUPLINGS - DIE-CAST/STEEL



**Two-Piece Connectors**



**EMT to Rigid Couplings  
Threaded/Compression**

CATALOG #	TRADE SIZE	UNIT CARTON QTY.	SHIP CARTON QTY.	BAR CODE
<b>Two-Piece Connectors – Die-Cast Zinc</b>				
2702	1/2"	—	100	—
2703	3/4"	—	50	—
<b>EMT - Rigid Couplings Threaded/Compression – Steel</b>				
1352	1/2"	—	25	—
1353	3/4"	—	25	—
1354	1"	—	25	—

#### DIE-CAST TWO-PIECE CONNECTORS APPLICATIONS

- For use in dry locations to bond EMT conduit to a box or enclosure
- RACO® 1/2" and 3/4" two-piece connectors provide concrete-tight connections

#### DIE-CAST TWO-PIECE CONNECTORS PRODUCT FEATURE

- Rugged metallic construction provides mechanical protection for the raceway

#### COMPLIANCE

- - Standard 514B

#### STEEL COMBINATION COUPLINGS APPLICATION

- Use RACO Cat. Nos. 1352 - 1354 when coupling threaded Rigid/IMC conduit to EMT

#### STEEL COMBINATION COUPLINGS PRODUCT FEATURES

- Rugged metallic construction provides mechanical protection for the raceway
- All steel components are zinc-electroplated for corrosion protection

#### COMPLIANCE

- - Standard 514B


**COMBINATION COUPLINGS - STEEL**

**EMT to Rigid Couplings Set Screw**
**APPLICATIONS**

- Use RACO® Catalog numbers 1432 - 1434 when coupling unthreaded Rigid/IMC to EMT conduit

**PRODUCT FEATURES**

- Rugged metallic construction provides mechanical protection
- All components are zinc-electroplated for corrosion protection
- UPC bar coded fittings are individually polybagged with a preprinted UPC-A bar code and packaged in pre-scored tear top cartons for attractive presentation

CATALOG #	TRADE SIZE	UNIT CARTON QTY.	SHIP CARTON QTY.	BAR CODE
<b>Insulating Bushings – Polyethylene</b>				
1432	1/2"	—	25	—
1433	3/4"	—	25	—
1434	1"	—	25	—

**COMBINATION COUPLINGS - MALLEABLE IRON/DIE-CAST**

**EMT - Flex Couplings Squeeze/Compression**

**EMT - Flex Couplings Screw-in/Compression**

**EMT - Flex Couplings Squeeze/Set Screw**
**APPLICATION**

- For use in dry locations to couple EMT conduit to flexible metal conduit.

**PRODUCT FEATURES**

- Rugged metallic construction ensures mechanical protection
- All steel/malleable components are zinc-electroplated for corrosion protection
- UPC bar coded fittings are individually polybagged with a preprinted UPC-A bar code and packaged in pre-scored tear top cartons for attractive presentation

**COMPLIANCE**

- FILE E195969
- LISTED (1852 & 1853)

CATALOG #	FLEX SIZE	EMT SIZE	UNIT CARTON QTY.	SHIP CARTON QTY.	BAR CODE
<b>EMT - Flex Couplings Squeeze/Compression – Malleable Iron</b>					
1941*	3/8"	1/2"	—	25	—
1942	1/2"	1/2"	—	25	—
1942-8	1/2"	1/2"	1	25	
1943	3/4"	3/4"	—	25	—
1943-8	3/4"	3/4"	1	25	
<b>EMT - Flex Couplings Screw-in/Compression – Die-Cast Zinc</b>					
1482	1/2"	1/2"	50	500	—
1483	3/4"	3/4"	25	250	—
1484	1"	1"	25	250	—
<b>EMT - Flex Couplings Squeeze/Set Screw – Die-Cast Zinc</b>					
1852	1/2"	1/2"	25	250	—
1853	3/4"	3/4"	25	250	—

SEE END OF SECTION (PG B95, B121 AND B122) FOR DETAILED DRAWINGS &gt;&gt;



**INSULATING BUSHINGS – POLYETHYLENE**

**2175RAC**

CATALOG #	TRADE SIZE	UNIT CARTON QTY.	SHIP CARTON QTY.	BAR CODE
<b>Insulating Bushings – Polyethylene</b>				
2172RAC	1/2"	100	1000	—
2173RAC	3/4"	100	1000	—
2174RAC	1"	—	100	—
2175RAC	1-1/4"	—	100	—
2176RAC	1-1/2"	—	100	—
2178RAC	2"	—	50	—
2180RAC*	2-1/2"	—	25	—
2182RAC*	3"	—	25	—
2184RAC*	3-1/2"	—	25	—
2186RAC*	4"	—	25	—

\*Can be used on Rigid/IMC Conduit

**APPLICATIONS**

- RACO® EMT insulating bushings provide a smooth surface for cable installation. Insulation prevents costly damage by protecting cable jacketing from sharp conduit edges during pulling.
- Common applications include telephone, data, alarm/security, and other low voltage cable installations.

**PRODUCT FEATURES**

- High-density Polyethylene construction
- Temperature rated at 90° C
- Easy push-on design
- White color

**COMPLIANCE**

- NEC Article 300.15c



**STRAPS - STEEL**



**One Hole Push-on Straps**



**Two Hole Straps**

**APPLICATION**

- For use in mounting EMT conduit

**PRODUCT FEATURES**

- All stamped steel construction ensures mechanical protection
- RACO® steel one hole straps snap on to the conduit, allowing the installer to easily position the strap before mounting
- Oversized bolt holes make alignment of the fastener quick and easy
- All straps are zinc-electroplated for corrosion protection

**COMPLIANCE**

- - Listed  
E195968 (2082 - 2088)

CATALOG #	TRADE SIZE	UNIT CARTON QTY.	SHIP CARTON QTY.	BAR CODE
<b>One Hole Push-on Straps Stamped – Steel (cULus)</b>				
2082	1/2"	100	25	—
2083	3/4"	50	10	—
2084	1"	50	5	—
2085	1-1/4"	—	5	—
2086	1-1/2"	—	5	—
2088	2"	—	5	—
1337	2-1/2"	—	5	—
1339	3"	—	1	—
1340	3-1/2"	—	1	—
1341	4"	—	1	—
<b>Two Hole Straps Stamped – Steel</b>				
2092	1/2"	—	100	—
2093	3/4"	—	100	—
2094	1"	—	100	—
2095	1-1/4"	—	50	—
2096	1-1/2"	—	50	—
2098	2"	—	25	—
2239	2-1/2"	—	25	—
2240	3"	—	25	—
2241	3-1/2"	—	25	—
2242	4"	—	10	—

SEE END OF SECTION (PG B96) FOR DETAILED DRAWINGS >>




**STRAPS - MALLEABLE AND STEEL**

**One Hole Straps**

**Nail-up Straps**

CATALOG #	TRADE SIZE	UNIT CARTON QTY.	SHIP CARTON QTY.	BAR CODE
<b>One Hole Push-on Straps Stamped – Steel (cULus)</b>				
1310	2-1/2"	—	10	—
1312	3"	—	10	—
1314	3-1/2"	—	5	—
1316	4"	—	5	—
<b>Two Hole Straps Stamped – Steel</b>				
2252	1/2"	100	1000	—
2253	3/4"	100	1000	—
2254	1"	100	1000	—

**MALLEABLE-STRAPS APPLICATION**

- For use in mounting EMT conduit in wet or dry locations

**STEEL-STRAPS APPLICATION**

- For use in mounting EMT conduit

**MALLEABLE - STRAPS PRODUCT FEATURES**

- All malleable construction ensures mechanical protection
- Oversized bolt holes for easy alignment of the fastener
- All straps are zinc-electroplated for corrosion protection

**STEEL - STRAPS PRODUCT FEATURE**

- Stamped steel straps are pre-galvanized for added corrosion protection

**STEEL - STRAPS COMPLIANCE**

- - LISTED E195968, E195973
- - (2252-2253)

**CLAMP BACKS - MALLEABLE IRON**

**Clamp Backs**

CATALOG #	RIGID/IMC SIZE	EMT SIZE	UNIT CARTON QTY.	SHIP CARTON QTY.	BAR CODE
<b>Clampbacks – Malleable Iron</b>					
1342	1/2"	3/4"	—	100	—
1343	3/4"	1"	—	100	—
1344	1"	1-1/4"	—	50	—
1345	1-1/4"	1-1/2"	—	25	—
1346	1-1/2"	2"	—	25	—
1348	2"	2"	—	10	—
1347	2-1/2"	2-1/2"	—	10	—
1349	3"	3"	—	10	—
1350	3-1/2"	3-1/2"	—	5	—
1351	4"	4"	—	5	—

**APPLICATIONS**

- For use with RACO® 1300 Series EMT and Rigid/IMC straps to permit space between the conduit and the mounting surface
- Use of clampbacks in outdoor locations can prevent the build-up of snow and rain between the conduit and the mounting surface

**PRODUCT FEATURES**

- All malleable construction ensures durability and mechanical protection
- Zinc-electroplated for added corrosion protection
- Elongated bolt holes for easy alignment with straps
- For use in mounting EMT conduit in wet or dry locations

**COMPLIANCE**

- FILE E195968

SEE END OF SECTION (PG B96-B97) FOR DETAILED DRAWINGS &gt;&gt;



**RIGID SET SCREW CONNECTORS**

SET SCREW CONNECTORS - STEEL



**Insulated Connectors**



**Uninsulated Connectors**

**APPLICATIONS**

- For use in dry locations to bond unthreaded Rigid/IMC conduit to a box or enclosure
- RACO® steel set screw connectors are suitable for concrete-tight applications when taped

**PRODUCT FEATURES**

- All steel construction ensures mechanical protection for the raceway
- 2-1/2" to 4" trade sizes are also UL Listed for use on EMT conduit, allowing for design and installation flexibility
- All components are zinc-electroplated for corrosion protection

**COMPLIANCE**

- - Standard 514B  
UL Listed E195969

INSULATED CATALOG #	UNINSULATED CATALOG #	TRADE SIZE	UNIT CARTON QTY.	SHIP CARTON QTY.	BAR CODE
<b>Compression Connectors – Steel/Malleable Iron</b>					
—	3002	1/2"	—	25	—
—	3003	3/4"	—	25	—
—	3004	1"	—	10	—
—	3005	1-1/4"	—	5	—
—	3006	1-1/2"	—	5	—
—	3008	2"	—	5	—
2160	2140	2-1/2"	—	5	—
2162RAC	2142	3"	—	1	—
2164	2144	3-1/2"	—	1	—
2166	2146	4"	—	1	—

SEE END OF SECTION (PG B91 AND B98) FOR DETAILED DRAWINGS >>



**SET SCREW COUPLINGS - STEEL**

**Couplings**

CATALOG #	TRADE SIZE	UNIT CARTON QTY.	SHIP CARTON QTY.	BAR CODE
<b>Couplings – Steel</b>				
3022	1/2"	—	25	—
3023	3/4"	—	10	—
3024	1"	—	5	—
3025	1-1/4"	—	5	—
3026	1-1/2"	—	5	—
3028	2"	—	5	—
2150	2-1/2"	—	5	—
2152	3"	—	1	—
2154	3-1/2"	—	1	—
2156	4"	—	1	—

**APPLICATIONS**

- For use in dry locations to couple two ends of unthreaded Rigid/IMC conduit
- RACO® steel set screw couplings are suitable for concrete-tight applications when taped

**PRODUCT FEATURES**

- All steel construction ensures mechanical protection for the raceway
- 2-1/2" to 4" trade sizes are also UL Listed for use on EMT conduit, allowing for design and installation flexibility
- All components are zinc-electroplated for corrosion protection

**COMPLIANCE**

- - Standard 514B  
UL Listed E195969





## RIGID COMPRESSION CONNECTORS

### COMPRESSION CONNECTORS - STEEL/MALLEABLE IRON



**Insulated Connectors  
Steel**



**Uninsulated Connectors  
Steel**



**1810-1816  
Uninsulated Connector  
Malleable Iron**

#### APPLICATIONS

- Use to bond unthreaded Rigid/IMC conduit to a box or enclosure
- RACO® 1/2" to 4" connectors and couplings provide concrete-tight connections

#### PRODUCT FEATURES

- All steel/malleable iron construction ensures mechanical protection for the raceway
- Hex compression nuts assure easy wrench installation
- All components are zinc-electroplated for corrosion protection

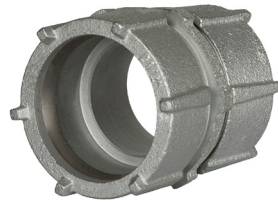
#### COMPLIANCES

- - Standard 514B  
UL FILE E195969
- - C22.2 #18

INSULATED CATALOG #	UNINSULATED CATALOG #	TRADE SIZE	UNIT CARTON QTY.	SHIP CARTON QTY.	BAR CODE
<b>Compression Connectors – Steel/Malleable Iron</b>					
3802RAC	1802	1/2"	—	25	—
3803RAC	1803	3/4"	—	25	—
3804RAC	1804	1"	—	10	—
3805RAC	1805	1-1/4"	—	5	—
3806RAC	1806	1-1/2"	—	5	—
3808RAC	1808	2"	—	5	—
—	1810	2-1/2"	—	5	—
—	1812	3"	—	1	—
—	1814	3-1/2"	—	1	—
—	1816	4"	—	1	—

SEE END OF SECTION (PG B99) FOR DETAILED DRAWINGS >>


**COMPRESSION COUPLINGS - STEEL/MALLEABLE IRON**

**Couplings  
Steel**

**1830-1836  
Coupling Malleable Iron**

CATALOG #	TRADE SIZE	UNIT CARTON QTY.	SHIP CARTON QTY.	BAR CODE
<b>Couplings – Steel/Malleable Iron</b>				
1822	1/2"	—	25	—
1823	3/4"	—	10	—
1824	1"	—	5	—
1825	1-1/4"	—	5	—
1826	1-1/2"	—	5	—
1828	2"	—	5	—
1830	2-1/2"	—	5	—
1832	3"	—	1	—
1834	3-1/2"	—	1	—
1836	4"	—	1	—

**APPLICATIONS**

- Use to couple two ends of unthreaded Rigid/IMC conduit
- RACO® 1/2" to 4" couplings provide concrete-tight connections

**PRODUCT FEATURES**

- All steel/malleable iron construction ensures mechanical protection for the raceway
- Hex compression nuts assure easy wrench installation
- All components are zinc-electroplated for corrosion protection

**COMPLIANCE**

- - Standard 514B  
UL FILE E195969
- - C22.2 #18



SHORT ELBOWS - MALLEABLE IRON



**90 Degree Short Elbows**

**APPLICATION**

- For use with threaded Rigid/IMC conduit
- 90° short elbows are ideal for use in tight locations where bending of conduit is not practical

**PRODUCT FEATURES**

- All malleable iron construction ensures mechanical protection for the raceway
- All components are zinc-electroplated for corrosion protection

**COMPLIANCES**

- - Standard 514B

CATALOG #	TRADE SIZE	UNIT CARTON QTY.	SHIP CARTON QTY.	BAR CODE
<b>90° Short Elbows – Malleable Iron</b>				
1722	1/2"	—	50	—
1723	3/4"	—	25	—

SEE END OF SECTION (PG B99) FOR DETAILED DRAWINGS >>


**HANDY ELLS - DIE-CAST**

**90° Handy Ells Threaded Connectors**

**90° Handy Ells Threaded Couplings**

CATALOG #	TRADE SIZE	UNIT CARTON QTY.	SHIP CARTON QTY.	BAR CODE
<b>90° Handy-Ells Threaded Connectors - Die-Cast Zinc</b>				
2662	1/2"	10	100	—
2663	3/4"	5	50	—
2664RAC	1"	—	25	—
<b>90° Handy-Ells Threaded Couplings - Die-Cast Zinc</b>				
2652	1/2"	10	100	—
2653	3/4"	5	50	—
2654	1"	—	25	—
2655	1-1/4"	—	20	—

**APPLICATIONS**

- For use with threaded Rigid/IMC conduit to bond conduit to a box or enclosure, or to couple two ends of Rigid/IMC conduit
- Use handy ells when bending conduit is not practical

**PRODUCT FEATURES**

- Gasket and cover included

**COMPLIANCE**

- - Standard 514B  
UL Listed E195969
- - C22.2 #18


**THREE-PIECE COUPLINGS - MALLEABLE IRON**

**Three-piece Couplings**
**APPLICATIONS**

- For use with threaded Rigid/IMC conduit
- Use couplings to couple conduit ends when the conduit cannot be turned
- RACO® Three-piece couplings provide concrete-tight connections

**PRODUCT FEATURES**

- Malleable iron construction ensures mechanical protection for the raceway
- All components are zinc-electroplated for corrosion protection

**COMPLIANCE**

- cUL<sub>us</sub>  
UL Listed E195969

CATALOG #	TRADE SIZE	UNIT CARTON QTY.	SHIP CARTON QTY.	BAR CODE
<b>Three-Piece Couplings - Malleable Iron</b>				
1502	1/2"	—	25	—
1503	3/4"	—	25	—
1504	1"	—	5	—
1505	1-1/4"	—	5	—
1506	1-1/2"	—	5	—
1508	2"	—	5	—
1510	2-1/2"	—	4	—
1512	3"	—	4	—
1514	3-1/2"	—	2	—
1516	4"	—	2	—
<b>Three-Piece Couplings - Steel</b>				
1520	4"	—	1	—
1524	4"	—	1	—



**COMBINATION COUPLINGS - STEEL**

**Rigid to EMT Couplings  
Threaded/Compression**

**Rigid to EMT Couplings  
Set Screw**

CATALOG #	TRADE SIZE	UNIT CARTON QTY.	SHIP CARTON QTY.	BAR CODE
<b>Rigid-EMT Couplings Threaded/Compression - Steel</b>				
1352	1/2"	—	25	—
1353	3/4"	—	25	—
1354	1"	—	25	—
<b>Rigid-EMT Couplings Set Screw - Steel</b>				
1432	1/2"	—	25	—
1433	3/4"	—	25	—
1434	1"	—	25	—

**APPLICATIONS**

- Use when coupling Rigid/IMC to EMT
- Use RACO® Cat. Nos. 1352 - 1354 when coupling threaded Rigid/IMC conduit to EMT
- Use RACO® Cat. Nos. 1432 - 1434 when coupling unthreaded Rigid/IMC conduit to EMT

**PRODUCT FEATURES**

- All steel construction ensures mechanical protection
- All components are zinc-electroplated for corrosion protection
- UPC bar code fittings are individually polybagged with a preprinted UPC-A bar code and packaged in pre-scored tear top cartons for attractive presentation

**COMPLIANCE**

- - Standard 514B (1432 - 1434 only)  
UL FILE E195969

**COMBINATION COUPLINGS - MALLEABLE IRON**

**Rigid to Flex Couplings Threaded/Squeeze**

CATALOG #	TRADE SIZE	UNIT CARTON QTY.	SHIP CARTON QTY.	BAR CODE
<b>Rigid - Flex Couplings - Malleable Iron Squeeze/Threaded</b>				
1552	1/2"	—	100	—
1553	3/4"	—	25	—
1554	1"	—	25	—

**APPLICATION**

- Use RACO® Cat. Nos. 1552 - 1554 when coupling flexible metal conduit to threaded Rigid/IMC

**PRODUCT FEATURES**

- All malleable iron construction ensures mechanical protection for the raceway
- All components are zinc-electroplated for corrosion protection

**COMPLIANCE**

-


**RIGID COMBINATION COUPLINGS**
**THREE-PIECE COUPLINGS - STEEL**

**Three-piece Super Coupling**
**APPLICATIONS**

- Designed to couple threaded Rigid/IMC conduit to either threaded or unthreaded Rigid/IMC or EMT conduit
- Unique features lend to quick and simplified installation
- No turning of the conduit is required, and no disassembly of the coupling is needed

**PRODUCT FEATURES**

- Reduces installation time
- Eliminates field threading
- Lighter than traditional malleable iron 3-piece coupling
- Compact size makes installation easier where space is limited
- No need to disassemble the compression nut and ring
- Zinc-plated steel
- UL concrete-tight

**COMPLIANCE**

- us  
UL Listed E195969

CATALOG #	TRADE SIZE	SHIP CARTON WEIGHT (LBS)	SHIP CARTON QTY.	BAR CODE
<b>Three-Piece Super Couplings - Steel</b>				
1530RAC	2-1/2"	3.39	2	—
1532RAC	3"	2.18	1	—
1534RAC	3-1/2"	2.67	1	—
1536RAC	4"	3.08	1	—



SEE END OF SECTION (PG B100) FOR DETAILED DRAWINGS &gt;&gt;


**THREADED HUBS - DIE-CAST**

**Threaded Hubs Insulated**

CATALOG #	TRADE SIZE	UNIT CARTON QTY.	SHIP CARTON QTY.	BAR CODE
<b>Threaded Hubs Insulated Throat - Die-Cast Zinc</b>				
1702	1/2"	—	25	—
1703	3/4"	—	25	—
1704	1"	—	25	—
1705	1-1/4"	—	10	—
1706	1-1/2"	—	10	—
1708	2"	—	10	—
1710	2-1/2"	—	5	—
1712	3"	—	2	—
1714	3-1/2"	—	2	—
1716	4"	—	2	—

**APPLICATIONS**

- For use with threaded Rigid/IMC conduit to connect and bond conduit to a threadless opening in a box or enclosure
- May be used in wet or dry locations

**PRODUCT FEATURES**

- Rugged metallic construction ensures mechanical protection
- Insulated throat protects wires and reduces wire pulling effort
- O-ring seals the assembly and provides a raintight seal

**COMPLIANCE**

- - Standard 514B  
UL Listed E195969
- - C22.2 #18



## REDUCING BUSHINGS - STEEL



**Reducing Bushings**

### APPLICATION

- For use with threaded Rigid/IMC conduit to reduce the size of a female hub to accommodate a smaller size of conduit or male threaded hub

### PRODUCT FEATURES

- Rugged steel construction ensures mechanical protection of the raceway
- Zinc-electroplated for corrosion protection

### COMPLIANCE

- **UL** <sup>us</sup>  
UL Listed E195969

CATALOG #	TRADE SIZE	UNIT CARTON QTY.	SHIP CARTON QTY.	BAR CODE
<b>Reducing Bushings - Steel</b>				
1141	1/2" - 3/8"	—	100	—
1142	3/4" - 1/2"	—	100	—
1143	1" - 1/2"	—	50	—
1144	1" - 3/4"	—	50	—
1145	1-1/4" - 1/2"	—	50	—
1146	1-1/4" - 3/4"	—	50	—
1147	1-1/4" - 1"	—	50	—
1148	1-1/2" - 1/2"	—	50	—
1149	1-1/2" - 3/4"	—	50	—
1150	1-1/2" - 1"	—	50	—
1151	1-1/2" - 1-1/4"	—	50	—
1152	2" - 1/2"	—	25	—
1153	2" - 3/4"	—	25	—
1154	2" - 1"	—	25	—
1155	2" - 1-1/4"	—	25	—
1156	2" - 1-1/2"	—	25	—



## REDUCING BUSHINGS - IRON



**Reducing Bushings**

CATALOG #	TRADE SIZE	UNIT CARTON QTY.	SHIP CARTON QTY.	BAR CODE
<b>Reducing Bushings - Iron</b>				
1160	2-1/2" - 1-1/4"	—	10	—
1161	2-1/2" - 1-1/2"	—	10	—
1162	2-1/2" - 2"	—	10	—
1168	3" - 2"	—	10	—
1169	3" - 2-1/2"	—	5	—
1175	3-1/2" - 2"	—	5	—
1176	3-1-2" - 2-1/2"	—	5	—
1177	3-1/2" - 3"	—	5	—
1185	4" - 3"	—	5	—
1186	4" - 3-1/2"	—	5	—

### APPLICATION

- For use with threaded Rigid/IMC conduit to reduce the size of a female hub to accommodate a smaller size of conduit or male threaded hub

### PRODUCT FEATURES

- Rugged iron construction ensures mechanical protection of the raceway
- Zinc-electroplated for corrosion protection

### COMPLIANCE

- c us  
UL Listed E195969




**LOCKNUTS - STEEL**

**Locknuts  
(1001)**

**Locknuts  
(1002 - 1220)**
**APPLICATION**

- For use in dry locations on threaded Rigid/IMC conduit to secure conduit to a box or enclosure

**PRODUCT FEATURES**

- All steel construction ensures mechanical protection
- Zinc-electroplated for corrosion protection

**COMPLIANCES (EXCLUDES NON-UL)**

- - Standard 514B  
UL Listed E195969
- - C22.2 #18

CATALOG #	TRADE SIZE	UNIT CARTON QTY.	SHIP CARTON QTY.	BAR CODE
<b>Locknuts - Steel</b>				
1001	3/8"	100	1000	—
1002	1/2"	100	1000	—
1003	3/4"	100	1000	—
1004	1"	—	100	—
1005	1-1/4"	—	50	—
1006	1-1/2"	—	50	—
1008	2"	—	50	—
1010	2-1/2"	—	30	—
1012	3"	—	25	—
1014	3-1/2"	—	15	—
1016	4"	—	10	—
1020	5"	—	8	—
1024	6"	—	8	—
<b>Non-UL Locknuts - Steel</b>				
1192	1/2"	100	1000	—
1193	3/4"	100	1000	—
1194	1"	—	100	—
1195	1-1/4"	—	50	—
1196	1-1/2"	—	50	—
1198	2"	—	50	—
1197	2-1/2"	—	30	—
1199	3"	—	25	—
1200	3-1/2"	—	15	—
1201	4"	—	10	—
1219	5"	—	8	—

SEE END OF SECTION (PG B103) FOR DETAILED DRAWINGS &gt;&gt;

**BONDING LOCKNUTS - STEEL**

**Bonding Locknuts**

CATALOG #	TRADE SIZE	UNIT CARTON QTY.	SHIP CARTON QTY.	BAR CODE
<b>Bonding Locknuts - Steel</b>				
1242	1/2"	—	50	—
1243	3/4"	—	50	—
1244	1"	—	25	—
1245	1-1/4"	—	25	—
1246	1-1/2"	—	25	—
1248	2"	—	20	—
1250	2-1/2"	—	10	—
1252	3"	—	10	—
1254	3-1/2"	—	5	—
1256	4"	—	5	—

**APPLICATION**

- For use on threaded Rigid/IMC conduit
- Use bonding locknuts when additional locking and grounding connections are required for applications where severe vibration is encountered

**PRODUCT FEATURES**

- All steel construction ensures mechanical protection
- Zinc-electroplated for corrosion protection

**COMPLIANCES**

- - Standard 514B  
UL Listed E195975
- - C22.2 #18

**GROUNDING RINGS**

**1753**

**1754**

CATALOG #	TRADE SIZE	UNIT CARTON QTY.	SHIP CARTON QTY.	BAR CODE
<b>Threaded Conduit Hub Grounding Ring - Die Cast Zinc</b>				
1753	3/4"	—	250	
1754	1"	—	250	

**APPLICATION**

- RACO Conduit Hub Grounding Rings are intended for use with RACO threaded die cast zinc Rigid/IMC conduit hubs
- Install the hub into a threadless enclosure opening and secure by threading the ring onto the end of the hub throat and tightening. Secure the ground wire to the bonding screw

- Bonding screws assure ground path continuity throughout the raceway

**PRODUCT FEATURES**

- Die cast zinc construction provides corrosion resistance
- NPSM tapping threads
- Slotted head, steel, water-tight bonding screw

SEE END OF SECTION (PG B104) FOR DETAILED DRAWINGS &gt;&gt;


**RIGID SEALING LOCKNUTS**

## SEALING LOCKNUTS - STEEL


**Sealing Locknuts**
**APPLICATION**

- For use on threaded Rigid/IMC conduit to provide a liquidtight seal against water and oil
- RACO® sealing locknuts may be used with either sheet metal or cast enclosures

**PRODUCT FEATURES**

- Fused-in-place gasket guarantees a liquidtight seal
- Use RACO sealing locknut as an economical alternative to a threaded enclosure connector
- All steel construction ensures mechanical protection
- Zinc-electroplated for corrosion protection

**COMPLIANCES**

- - Standard 514B (1202 - 1210)  
UL FILE E195969
- - C22.2 #18 (1202 - 1211)

CATALOG #	TRADE SIZE	UNIT CARTON QTY.	SHIP CARTON QTY.	BAR CODE
<b>Sealing Locknuts - Steel</b>				
1202	1/2"	—	100	—
1203	3/4"	—	100	—
1204	1"	—	50	—
1205	1-1/4"	—	50	—
1206	1-1/2"	—	25	—
1208	2"	—	25	—
1207	2-1/2"	—	30	—
1209	3"	—	25	—
1210	3-1/2"	—	15	—
1211	4"	—	10	—

SEE END OF SECTION (PG B104) FOR DETAILED DRAWINGS &gt;&gt;


**INSULATING BUSHINGS - POLYPROPYLENE**

**Insulating Bushings**

**Universal Split Insulating Bushings**


CATALOG #	TRADE SIZE	UNIT CARTON QTY.	SHIP CARTON QTY.	BAR CODE
<b>Insulating Bushings – Polypropylene</b>				
1402	1/2"	100	400	—
1403	3/4"	100	400	—
1404	1"	50	200	—
1405	1-1/4"	—	25	—
1406	1-1/2"	—	25	—
1408	2"	—	25	—
1410	2-1/2"	—	10	—
1412	3"	—	10	—
1414	3-1/2"	—	5	—
1416	4"	—	5	—
1420	5"	—	5	—
1424	6"	—	5	—
<b>Universal Split Insulating Bushings – Polypropylene</b>				
1410USP	2-1/2"	—	20	—
1412USP	3"	—	20	—
1414USP	3-1/2"	—	20	—
1416USP	4"	—	10	—

**APPLICATIONS - INSULATING BUSHINGS**

- For use on threaded Rigid/IMC conduit
- RACO® bushings provide a smooth rounded surface at the entrance of raceways

**PRODUCT FEATURE**

- Insulating bushings are made of high impact polypropylene temperature rated 105° C

**APPLICATIONS - SPLIT BUSHINGS**

- Install on fittings, threaded or unthreaded Rigid/IMC, or EMT conduit
- Can be installed after wires and cables are pulled

**PRODUCT FEATURES**

- Code-saver
- One-piece design: no fumbling with extra pieces
- Easy, quick installation
- Low profile design
- No more damaged bushings during wire pulling
- Rated to 105° C

**COMPLIANCE**

- cUL<sup>us</sup>

**INSULATING BUSHINGS – POLYETHYLENE**


CATALOG #	TRADE SIZE	UNIT CARTON QTY.	SHIP CARTON QTY.	BAR CODE
<b>Insulating Bushings – Polyethylene</b>				
2180RAC*	2-1/2"	—	25	—
2182RAC*	3"	—	25	—
2184RAC*	3-1/2"	—	25	—
2186RAC*	4"	—	25	—

\*Can be used on Rigid/IMC Conduit

**APPLICATION**

- RACO® EMT insulating bushings provide a smooth surface for cable installation. Insulation prevents costly damage by protecting cable jacketing from sharp conduit edges during pulling.
- Common applications include telephone, data, alarm/security, and other low voltage cable installations.

**PRODUCT FEATURES**

- High-density Polyethylene construction
- Temperature rated at 90° C
- Easy push-on design
- White color

**COMPLIANCE**

- NEC Article 300.15c

SEE END OF SECTION (PG B97) FOR DETAILED DRAWINGS >>



**BUSHINGS - MALLEABLE IRON**



**Bushings**

**APPLICATION**

- For use on threaded Rigid/IMC conduit
- RACO® bushings provide a smooth rounded surface at the entrance of raceways

**PRODUCT FEATURES**

- Malleable iron construction ensures mechanical protection
- Zinc-electroplated for corrosion protection

**COMPLIANCES**

- - Standard 514B  
UL Listed E195969
- - C22.2 #18

CATALOG #	TRADE SIZE	UNIT CARTON QTY.	SHIP CARTON QTY.	BAR CODE
<b>Bushings - Malleable Iron</b>				
1102RAC	1/2"	—	100	—
1103	3/4"	—	100	—
1104	1"	—	50	—
1105	1-1/4"	—	50	—
1106	1-1/2"	—	50	—
1108	2"	—	50	—
1110	2-1/2"	—	30	—
1112	3"	—	10	—
1114	3-1/2"	—	10	—
1116	4"	—	10	—

SEE END OF SECTION (PG B105) FOR DETAILED DRAWINGS >>

### INSULATED BUSHINGS - MALLEABLE IRON



Malleable Iron



Die-cast Zinc

CATALOG #	TRADE SIZE	UNIT CARTON QTY.	SHIP CARTON QTY.	BAR CODE
<b>Insulated Bushings - Malleable Iron</b>				
1132*	1/2"	100	100	—
1133*	3/4"	100	50	—
1134*	1"	50	25	—
1135	1-1/4"	—	25	—
1136	1-1/2"	—	25	—
1138	2"	—	10	—
1126	2-1/2"	—	10	—
1127	3"	—	5	—
1128	3-1/2"	—	5	—
1129	4"	—	5	—

\*Available in Die-cast Zinc. Add suffix DC when ordering.

#### APPLICATION

- For use on threaded Rigid/IMC conduit to provide a smooth rounded surface at the entrance of raceways

#### PRODUCT FEATURES

- Insuliner temperature rated 150° C
- Malleable iron construction ensures mechanical protection for the raceway
- Zinc-electroplated for corrosion protection
- 1/2" to 1" trade sizes are also available in die-cast zinc

#### COMPLIANCES

- - Standard 514B  
UL Listed E195969
- - C22.2 #18





150° INSULATED GROUNDING BUSHINGS - MALLEABLE IRON



**Insulated Grounding Bushings  
Lay-in Lug**



**Insulated Grounding Bushings  
Feed-thru Lug**

**APPLICATION**

- For use on threaded Rigid/IMC conduit to provide a means of grounding conduit through an insulated bushing

**PRODUCT FEATURES**

- Lay-in and Feed-thru lug styles provide an easy means of inserting a ground wire
- Dual rated aluminum grounding lugs may be used with copper or aluminum grounding conductors
- Insuliner temperature rated 150° C
- Malleable iron construction ensures mechanical protection for the raceway
- Zinc-electroplated for corrosion protection

**COMPLIANCES**

- - Standard 514B
- - C22.2 #18

CATALOG #	TRADE SIZE	UNIT CARTON QTY.	SHIP CARTON QTY.	GROUNDING WIRE CAPACITY		BAR CODE
				MIN.	MAX.	
<b>150° Insulated Grounding Bushings - Lay-In Lug - Malleable Iron</b>						
1212	1/2"	—	100	#14 Sol.	#4 Str.	—
1213	3/4"	—	100	#14 Sol.	#4 Str.	—
1214	1"	—	50	#14 Sol.	#4 Str.	—
1215	1-1/4"	—	25	#14 Sol.	#4 Str.	—
1216	1-1/2"	—	25	#14 Sol.	#4 Str.	—
1218	2"	—	10	#14 Sol.	#4 Str.	—
1290	2-1/2"	—	10	#14 Sol.	#1/0 Str.	—
1292RAC	3"	—	5	#14 Sol.	#1/0 Str.	—
1294	3-1/2"	—	5	#6 Sol.	#250 MCM	—
1296	4"	—	5	#6 Sol.	#250 MCM	—
<b>150° Insulated Grounding Bushings - Lay-In Lug - Die-Cast Zinc</b>						
1262DC	1/2"	—	100	#14 Sol.	#4 Str.	—
1263DC	3/4"	—	100	#14 Sol.	#4 Str.	—
1264DC	1"	—	50	#14 Sol.	#4 Str.	—
<b>150° Insulated Grounding Bushings - Feed-thru Lug - Malleable Iron</b>						
1222	1/2"	—	100	#14 Sol.	#4 Str.	—
1223	3/4"	—	100	#14 Sol.	#4 Str.	—
1224	1"	—	50	#14 Sol.	#4 Str.	—
1225	1-1/4"	—	25	#14 Sol.	#4 Str.	—
1226	1-1/2"	—	25	#14 Sol.	#4 Str.	—
1228	2"	—	10	#14 Sol.	#4 Str.	—
1230	2-1/2"	—	10	#14 Sol.	#1/0 Str.	—
1232RAC	3"	—	5	#14 Sol.	#1/0 Str.	—
1234	3-1/2"	—	5	#6 Sol.	#250 MCM	—
1236	4"	—	5	#6 Sol.	#250 MCM	—

SEE END OF SECTION (PG B106) FOR DETAILED DRAWINGS >>




**STRAPS - STEEL**

**One Hole Push-on Straps**

CATALOG #	TRADE SIZE	UNIT CARTON QTY.	SHIP CARTON QTY.	BAR CODE
<b>One Hole Push-on Straps - Stamped Steel</b>				
1332	1/2"	100	500	—
1333	3/4"	100	500	—
1334	1"	50	250	—
1335	1-1/4"	—	25	—
1336	1-1/2"	—	25	—
1338	2"	—	25	—
1337	2-1/2"	—	25	—
1339	3"	—	25	—
1340	3-1/2"	—	10	—
1341	4"	—	10	—

**APPLICATION**

- For use in mounting Rigid/IMC conduit in wet or dry locations
- RACO® Rigid/IMC conduit straps are suitable for use on liquidtight flexible metal conduit and liquidtight flexible nonmetallic conduit (type B)

**PRODUCT FEATURES**

- All stamped steel construction ensures mechanical protection
- RACO® steel one-hole straps snap on to conduit, allowing the installer to easily position the strap before mounting
- All straps are zinc-electroplated for corrosion protection

SEE END OF SECTION (PG B107) FOR DETAILED DRAWINGS &gt;&gt;



STRAPS - STEEL



**Two Hole Straps**

**APPLICATION**

- For use in mounting Rigid/IMC conduit in wet or dry locations
- RACO® Rigid/IMC conduit straps are suitable for use on liquidtight flexible metal conduit and liquidtight flexible nonmetallic conduit (type B)

**PRODUCT FEATURES**

- All stamped steel construction ensures mechanical protection
- All straps are zinc-electroplated for corrosion protection

CATALOG #	TRADE SIZE	UNIT CARTON QTY.	SHIP CARTON QTY.	BAR CODE
<b>Two Hole Push-on Straps - Stamped Steel</b>				
2232	1/2"	—	100	—
2233	3/4"	—	100	—
2234	1"	—	100	—
2235	1-1/4"	—	100	—
2236	1-1/2"	—	50	—
2238	2"	—	25	—
2239	2-1/2"	—	25	—
2240	3"	—	25	—
2241	3-1/2"	—	25	—
2242	4"	—	10	—
2245-2	5"	—	5	—
2246-2	6"	—	5	—

SEE END OF SECTION (PG B107) FOR DETAILED DRAWINGS >>





### ONE HOLE STRAPS - MALLEABLE IRON



One Hole Straps

CATALOG #	TRADE SIZE	UNIT CARTON QTY.	SHIP CARTON QTY.	BAR CODE
<b>One Hole Straps - Stamped Steel</b>				
*1301	3/8"	—	100	—
1302	1/2"	—	100	—
1303	3/4"	—	100	—
1304	1"	—	50	—
1305	1-1/4"	—	25	—
1306	1-1/2"	—	25	—
1308	2"	—	25	—
1310	2-1/2"	—	10	—
1312	3"	—	10	—
1314	3-1/2"	—	5	—
1316	4"	—	5	—

\*3/8" not Listed

#### APPLICATION

- For use in mounting Rigid/IMC conduit in wet or dry locations
- RACO® Rigid/IMC conduit straps are suitable for use on liquidtight flexible metal conduit and liquidtight flexible nonmetallic conduit (type B)

#### PRODUCT FEATURES

- All malleable construction ensures mechanical protection
- All straps are zinc-electroplated for corrosion protection

#### COMPLIANCES

- - LISTED
- - C22.2 #18 LR57925
- - LISTED E229278



### CLAMP BACKS - MALLEABLE IRON



Clamp Backs

CATALOG #	TRADE SIZE		UNIT CARTON QTY.	SHIP CARTON QTY.	BAR CODE
	RIGID SIZE	EMT SIZE			
<b>Clamp Backs - Malleable Iron</b>					
1342	1/2"	3/4"	—	100	—
1343	3/4"	1"	—	100	—
1344	1"	1-1/4"	—	50	—
1345	1-1/4"	1-1/2"	—	25	—
1346	1-1/2"	2"	—	25	—
1348	2"	2"	—	10	—
1347	2-1/2"	2-1/2"	—	10	—
1349	3"	3"	—	10	—
1350	3-1/2"	3-1/2"	—	5	—
1351	4"	4"	—	5	—

#### APPLICATION

- For use with RACO® 1300 Series straps to permit space between the conduit and the mounting surface
- Use of clamp backs in outdoor locations can prevent the buildup of snow and rain between the conduit and the mounting surface

#### PRODUCT FEATURES

- All malleable construction ensures durability and mechanical protection
- Elongated bolt holes make alignment with straps easy

#### COMPLIANCE

- UL Listed E195968

SEE END OF SECTION (PG B107 AND B108) FOR DETAILED DRAWINGS >>>



LIQUIDTIGHT CONDUIT AND CORD CONNECTORS

STRAIGHT CONNECTORS



Insulated  
Steel/Malleable Iron



Uninsulated  
Steel/Malleable Iron

APPLICATIONS

- For use in outdoor or indoor locations on flexible metallic liquidtight conduit and Type B flexible nonmetallic liquidtight conduit
- Use to positively bond the conduit to a box or enclosure
- RACO® liquidtight connectors are suitable for use in Class I, Div 2; Class II, Div 1 & 2; and Class III, Div 1 & 2 hazardous locations

PRODUCT FEATURES

- Unique split-glandring is designed to slip onto the conduit quickly and to grip the jacket of the conduit, speeding installation, assuring a perfect seal, and preventing pullouts
- All components are reusable - RACO® liquidtight connectors may be easily disassembled and reused after years of service
- Sealing washer (included) provides a liquidtight seal when terminating the connector in a threadless opening
- Heavy duty locknut included with every RACO® liquidtight connector assures continuity of ground
- All steel/iron components are zinc-electroplated for added corrosion protection
- UPC bar coded fittings are individually polybagged with a preprinted UPC-A bar code and packaged in pre-scored tear top cartons for attractive presentation

BODIES – STRAIGHT

- Malleable Iron - 3/8" to 4"

NUTS – STRAIGHT, 45°

- Steel - 3/8" to 1"
- Malleable Iron - 1-1/4" to 4"

COMPLIANCES

- - Standard 514B  
UL Listed E195969
- - C22.2 #18

INSULATED CATALOG #	UNINSULATED CATALOG #	TRADE SIZE	UNIT CARTON QTY.	SHIP CARTON QTY.	BAR CODE
<b>Straight - Insulated and Uninsulated – Steel/Malleable Iron</b>					
*3511RAC	—	3/8"	25	100	—
—	3401	3/8"	50	200	—
—	3401-8	3/8"	1	15	
3512RAC	3402	1/2"	50	200	—
3512-8	3402-8	1/2"	1	15	
3513RAC	3403	3/4"	25	100	—
3513-8	3403-8	3/4"	1	10	
3514RAC	3404	1"	—	10	—
3514-8	3404-8	1"	1	5	
3515RAC	3405	1-1/4"	—	10	—
3516	3406	1-1/2"	—	5	—
3518	3408	2"	—	5	—
3520	3410	2-1/2"	—	1	—
3522	3412	3"	—	1	—
3524	3414	3-1/2"	—	1	—
3526	3416	4"	—	1	—

45° CONNECTORS



Insulated Malleable Iron



Uninsulated Malleable Iron

INSULATED CATALOG #	UNINSULATED CATALOG #	TRADE SIZE	UNIT CARTON QTY.	SHIP CARTON QTY.	BAR CODE
<b>45° Insulated and Uninsulated – Malleable Iron</b>					
*3561	3441*	3/8"	—	25	—
3562	3442	1/2"	—	25	—
3563	3443	3/4"	—	25	—
3564	3444	1"	—	10	—
3565	3445	1-1/4"	—	10	—
3566	3446	1-1/2"	—	5	—
3568	3448	2"	—	5	—

\* 1/2" Trade size hub

\*\* Operating Temperature – Due to the limiting factors of nylon, metallic liquidtight flexible conduit fittings will continuously perform in the range of -40°F to +225°F (-40°C to +107°C)

SEE END OF SECTION (PG B108) FOR DETAILED DRAWINGS >>



## 90° CONNECTORS



**Insulated  
Steel/Malleable Iron**



**Uninsulated  
Steel/Malleable Iron**

INSULATED CATALOG #	UNINSULATED CATALOG #	TRADE SIZE	UNIT CARTON QTY.	SHIP CARTON QTY.	BAR CODE
<b>90° Insulated and Uninsulated – Steel/Malleable Iron</b>					
3541RAC*	3421*	3/8"	25	100	—
—	3421-8*	3/8"	1	15	
3542	3422	1/2"	25	100	—
3542-8	3422-8	1/2"	1	15	
3543	3423	3/4"	25	100	—
3543-8	3423-8	3/4"	1	10	
3544	3424	1"	—	10	—
3544-8	3424-8	1"	1	5	
3545	3425	1-1/4"	—	10	—
—	3425-8	1-1/4"	1	3	
3546	3426	1-1/2"	—	5	—
—	3426-8	1-1/2"	1	3	
3548	3428	2"	—	5	—
3550	3430	2-1/2"	—	1	—
3552	3432	3"	—	1	—
3556	3436	4"	—	1	—

\* 1/2" Trade size hub

\*\* Operating Temperature – Due to the limiting factors of nylon, metallic liquidtight flexible conduit fittings will continuously perform in the range of -40°F to +225°F (-40°C to +107°C)

### APPLICATIONS

- For use in outdoor or indoor locations on flexible metallic liquidtight conduit and Type B flexible nonmetallic liquidtight conduit
- Use to positively bond the conduit to a box or enclosure
- RACO® liquidtight connectors are suitable for use in Class I, Div 2; Class II, Div 1 & 2; and Class III, Div 1 & 2 hazardous locations

### PRODUCT FEATURES

- Unique split-gland ring is designed to slip onto the conduit quickly gripping the jacket of the conduit, speeding installation, assuring a perfect seal, and preventing pullouts
- All components are reusable - RACO® liquidtight connectors may be easily disassembled and reused after years of service
- Sealing washer (included) provides a liquidtight seal when terminating the connector in a threadless opening
- Heavy duty locknut included with every RACO® liquidtight connector assures continuity of ground
- All steel/iron components are zinc-electroplated for added corrosion protection
- UPC bar coded fittings are individually polybagged with a preprinted UPC-A bar code and packaged in pre-scored tear top cartons for an attractive presentation

### BODIES – 90°

- Malleable Iron - 3/8" to 4"

### NUTS – 90°

- Steel - 3/8" to 1"
- Malleable Iron - 1-1/4" to 4"

### COMPLIANCES

- - Standard 514B  
UL LISTED E195969
- - C22.2 #18





STRAIGHT CONNECTORS



**Insulated  
Die-Cast Zinc**



**Uninsulated  
Die-Cast Zinc**

**APPLICATIONS**

- For use in outdoor or indoor locations on flexible metallic liquidtight conduit and Type B flexible nonmetallic liquidtight conduit
- Use to positively bond the conduit to a box or enclosure

**PRODUCT FEATURES**

- Unique split-glandring is designed to slip onto the conduit quickly and to grip the jacket of the conduit, speeding installation, assuring a perfect seal, and preventing pullouts
- All components are reusable - RACO® liquid-tight connectors may be easily disassembled and reused after years of service
- Sealing washer (included) provides a liquid-tight seal when terminating the connector in a threadless opening
- Heavy duty locknut included with every RACO® liquidtight connector assures continuity of ground

**COMPLIANCE**

- Conduit Fittings  
3HNN

INSULATED CATALOG #	UNINSULATED CATALOG #	TRADE SIZE	UNIT CARTON QTY.	SHIP CARTON QTY.	BAR CODE	METRIC DESIGNATOR	TIGHTENING TORQUE	
							N-m	(lbf-in)
<b>Straight - Insulated and Uninsulated – Die-Cast Zinc</b>								
3511DC*	3401DC*	3/8"	50	200	—	12	22.6b	200
3512DC	3402DC	1/2"	50	200	—	16	33.9	300
3513DC	3403DC	3/4"	25	100	—	21	56.5	500
3514DC	3404DC	1"	—	10	—	27	79.1	700
3515DC	3405DC	1-1/4"	—	10	—	35	113	1000
3516DC	3406DC	1-1/2"	—	5	—	41	136	1200
3518DC	3408DC	2"	—	5	—	53	181	1600
3520DC	—	2-1/2"	—	1	—	63	181	1600
3522DC	—	3"	—	1	—	78	181	1600
3524DC	—	3-1/2"	—	1	—	91	181	1600
3526DC	—	4"	—	1	—	103	181	1600

90° CONNECTORS



**Insulated  
Die-Cast Zinc**



**Uninsulated  
Die-Cast Zinc**

INSULATED CATALOG #	UNINSULATED CATALOG #	TRADE SIZE	UNIT CARTON QTY.	SHIP CARTON QTY.	BAR CODE	METRIC DESIGNATOR	TIGHTENING TORQUE	
							N-m	(lbf-in)
<b>90° Insulated and Uninsulated – Die Cast Zinc</b>								
3541DC*	3421DC*	3/8"	25	100	—	12	22.6b	200
3542DC	3422DC	1/2"	25	100	—	16	33.9	300
3543DC	3423DC	3/4"	25	100	—	21	56.5	500
3544DC	3424DC	1"	—	10	—	27	79.1	700
3545DC	3425DC	1-1/4"	—	10	—	35	113	1000
3546DC	3426DC	1-1/2"	—	5	—	41	136	1200
3548DC	3428DC	2"	—	5	—	53	181	1600
3550DC	—	2-1/2"	—	1	—	63	181	1600
3552DC	—	3"	—	1	—	78	181	1600
3554DC	—	3-1/2"	—	1	—	91	181	1600
3556DC	—	4"	—	1	—	103	181	1600

\* 1/2" Trade size hub

b A 3/8 (12) trade-size fitting for use with liquid-tight flexible metal conduit shall be tightened with a torque of 26.5 N-m (235 lbf-in).



### STRAIGHT, GROUNDING TYPE CONNECTORS



**Insulated w/Ground Lug  
Steel/Malleable Iron**

CATALOG #	TRADE SIZE	UNIT CARTON QTY.	SHIP CARTON QTY.	GROUNDING WIRE CAPACITY		BAR CODE
				MINIMUM	MAXIMUM	
<b>Straight - Insulated with Ground Lug – Steel/Malleable Iron</b>						
3511-3*	3/8"	—	25	#14 SOL.	#4 STR.	—
3512-3	1/2"	—	25	#14 SOL.	#4 STR.	—
3513-3	3/4"	—	25	#14 SOL.	#4 STR.	—
3514-3	1"	—	10	#14 SOL.	#4 STR.	—
3515-3	1-1/4"	—	10	#14 SOL.	#4 STR.	—
3516-3	1-1/2"	—	5	#14 SOL.	#4 STR.	—
3518-3	2"	—	5	#14 SOL.	#4 STR.	—
3520-3	2-1/2"	—	1	#14 SOL.	#1/0 STR.	—
3522-3	3"	—	1	#14 SOL.	#1/0 STR.	—
3524-3	3-1/2"	—	1	#6 STR.	#250 MCM	—
3526-3	4"	—	1	#6 STR.	#250 MCM	—

\* 1/2" Trade size hub

#### APPLICATIONS

- For use in outdoor or indoor locations on flexible metallic liquidtight conduit, when installation of a copper or aluminum external bonding jumper is required
- RACO® grounding liquidtight connectors are suitable for use in Class I, Div 2; Class II, Div 1 & 2; and Class III, Div 1 & 2 hazardous locations

#### PRODUCT FEATURES

- Unique split-gland ring is designed to slip onto the conduit quickly gripping the jacket of the conduit, speeding installation, assuring a perfect seal, and preventing pullouts
- All components are reusable - RACO® liquidtight connectors may be easily disassembled and reused after years of service
- Sealing washer (included) provides a liquidtight seal when terminating the connector in a threadless opening
- Heavy duty locknut included with every RACO® liquidtight connector assures continuity of ground
- All metallic components are zinc-electroplated for added corrosion protection

#### BODIES

- 3/8" to 1" Steel, 1-1/4" to 4" Malleable Iron

#### NUTS

- 3/8" to 1" Steel, 1-1/4" to 4" Malleable Iron

#### COMPLIANCES

- - Standard 514B  
UL LISTED E195969
- - C22.2 #18



## 45° INSULATED CONNECTOR, GROUNDING TYPE



**Insulated w/Ground Lug  
Steel/Malleable Iron**

### APPLICATIONS

- For use in outdoor or indoor locations on flexible metallic liquidtight conduit, when installation of a copper or aluminum external bonding jumper is required
- RACO® grounding liquidtight connectors are suitable for use in Class I, Div 2; Class II, Div 1 & 2; and Class III, Div 1 & 2 hazardous locations

### PRODUCT FEATURES

- Split-glandring is designed to slip onto the conduit quickly and to grip the jacket of the conduit, speeding installation, assuring a perfect seal, and preventing pullouts
- Malleable iron castings mate with other components perfectly without strain or distortion
- All components are reusable - RACO® liquidtight connectors may be easily disassembled and reused after years of service
- Sealing washer (included) provides a liquidtight seal when terminating the connector in a threadless opening
- Heavy duty locknut included with every RACO® liquidtight connector assures continuity of ground
- All metallic components are zinc-electroplated for added corrosion protection

### BODIES

- 3/8" to 2" Malleable Iron

### NUTS

- 3/8" to 1" Steel, 1-1/4" to 2" Malleable Iron

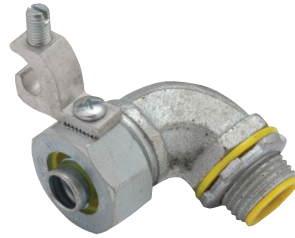
### COMPLIANCES

- - Standard 514B  
UL LISTED E195969
- - C22.2 #18

CATALOG #	TRADE SIZE	UNIT CARTON QTY.	SHIP CARTON QTY.	GROUNDING WIRE CAPACITY		BAR CODE
				MINIMUM	MAXIMUM	
<b>45° - Insulated with Ground Lug – Steel/Malleable Iron</b>						
3561-3*	3/8"	—	25	#14 SOL.	#4 STR.	—
3562-3	1/2"	—	25	#14 SOL.	#4 STR.	—
3563-3	3/4"	—	25	#14 SOL.	#4 STR.	—
3564-3	1"	—	10	#14 SOL.	#4 STR.	—
3565-3	1-1/4"	—	10	#14 SOL.	#4 STR.	—
3566-3	1-1/2"	—	5	#14 SOL.	#4 STR.	—
3568-3	2"	—	5	#14 SOL.	#4 STR.	—

\* 1/2" Trade size hub

## 90° INSULATED CONNECTOR, GROUNDING TYPE



**Insulated w/Ground Lug  
Steel/Malleable Iron**

CATALOG #	TRADE SIZE	UNIT CARTON QTY.	SHIP CARTON QTY.	GROUNDING WIRE CAPACITY		BAR CODE
				MINIMUM	MAXIMUM	
<b>90° - Insulated with Ground Lug – Steel/Malleable Iron</b>						
3541-3*	3/8"	—	25	#14 SOL.	#4 STR.	—
3542-3	1/2"	—	25	#14 SOL.	#4 STR.	—
3543-3	3/4"	—	25	#14 SOL.	#4 STR.	—
3544-3	1"	—	10	#14 SOL.	#4 STR.	—
3545-3	1-1/4"	—	10	#14 SOL.	#4 STR.	—
3546-3	1-1/2"	—	5	#14 SOL.	#4 STR.	—
3548-3	2"	—	5	#14 SOL.	#4 STR.	—
3550-3	2-1/2"	—	1	#14 SOL.	#1/0 STR.	—
3552-3	3"	—	1	#14 SOL.	#1/0 STR.	—
3556-3	4"	—	1	#6 STR.	#250 MCM	—

\* 1/2" Trade size hub

### APPLICATIONS

- For use in outdoor or indoor locations on flexible metallic liquidtight conduit, when installation of a copper or aluminum external bonding jumper is required
- RACO® grounding liquidtight connectors are suitable for use in Class I, Div 2; Class II, Div 1 & 2; and Class III, Div 1 & 2 hazardous locations

### PRODUCT FEATURES

- Split-gland ring is designed to slip onto the conduit quickly gripping the jacket of the conduit, speeding installation, assuring a perfect seal, and preventing pullouts
- Malleable iron castings mate with other components perfectly without strain or distortion
- All components are reusable - RACO® liquidtight connectors may be easily disassembled and reused after years of service
- Sealing washer (included) provides a liquidtight seal when terminating the connector in a threadless opening
- Heavy duty locknut included with every RACO® liquidtight connector assures continuity of ground
- All metallic components are zinc-electroplated for added corrosion protection

### BODIES

- 3/8" to 4" Malleable Iron

### NUTS

- 3/8" to 1" Steel, 1-1/4" to 4" Malleable Iron

### COMPLIANCE

- US  
UL LISTED E195969


**SEALING WASHERS - STEEL**

**Sealing Washers\***
**APPLICATIONS**

- For use whenever a positive seal is required between the shoulder of a fitting and an enclosure

**PRODUCT FEATURES**

- One piece construction assures proper installation - no need to worry about aligning multiple components
- Steel ring is zinc-electroplated for added corrosion protection
- UPC bar coded fittings are individually polybagged with a preprinted UPC-A bar code and packaged in pre-scored tear top cartons for an attractive presentation

**COMPLIANCES**

- - Standard 514B  
UL LISTED E195973
- - C22.2 #18

CATALOG #	TRADE SIZE	UNIT CARTON QTY.	SHIP CARTON QTY.	BAR CODE
<b>One Hole Push-on Straps - Stamped Steel</b>				
2452	1/2"	—	100	—
2452-8	1/2"	—	20 bags of 2	
2453	3/4"	—	50	—
2453-8	3/4"	—	20 bags of 2	
2454	1"	—	25	—
2454-8	1"	—	10 bags of 2	
2455	1-1/4"	—	25	—
2456	1-1/2"	—	25	—
2458	2"	—	25	—

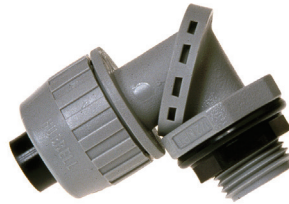
\* One-piece steel ring and neoprene gasket, raintight  
Temperature rating: -20°F to +212°F

**TYPE B CONNECTORS FOR TYPE B NONMETALLIC CONDUIT - NONMETALLIC**

**Straight Connectors  
Nylon - for Type B Conduit**

CATALOG #	TRADE SIZE	UNIT CARTON QTY.	SHIP CARTON QTY.	BAR CODE
<b>Straight Connectors - Nylon</b>				
4721*	3/8"	—	25	—
4722	1/2"	—	25	—
4722-8	1/2"	1	20	
4723	3/4"	—	25	—
4723-8	3/4"	1	15	
4724	1"	—	10	—
4724-8	1"	1	10	
4725	1-1/4"	—	10	—
4726	1-1/2"	—	5	—
4728	2"	—	5	—

\* 1/2" Trade size hub


**SWIVEL-LOK Straight Position**

**SWIVEL-LOK 90° Position**

CATALOG #	TRADE SIZE	UNIT CARTON QTY.	SHIP CARTON QTY.	BAR CODE
<b>SWIVEL-LOK Multiposition Connectors - Nylon for Type B Conduit</b>				
4731*	3/8"	—	25	—
4732	1/2"	—	25	—
4732-8	1/2"	1	20	
4733	3/4"	—	25	—
4733-8	3/4"	1	15	
4734	1"	—	10	—
4734-8	1"	1	10	

**APPLICATIONS**

- For use in dry or wet locations when the conduit and fittings are not subject to physical damage
- Use Type B conduit and fittings whenever flexibility is required for installation, operation, or maintenance

**PRODUCT FEATURES**

- All gray nonmetallic construction provides superior corrosion resistance
- Each connector is supplied with a Neoprene O-ring and nylon gasket
- SWIVEL-LOK, multi-position connector (trade sizes 3/8" to 1") twists from 0° to 90°, easing installation in difficult locations and eliminating need to stock other angle connectors
- UPC bar coded fittings are individually polybagged with a preprinted UPC-A bar code and packaged in pre-scored tear top cartons for an attractive presentation

**COMPLIANCES**

- - Standard 514B
- - C22.2 #18
- NEMA Type 4x, 12 and 13





## CONNECTORS FOR EXTRA FLEXIBLE TUBING - NONMETALLIC



**Straight Connectors**  
Nylon - for Extra Flexible Tubing

### APPLICATIONS

- For use in dry or wet locations when the conduit and fittings are not subject to physical damage
- Use extra flexible tubing and connectors whenever added flexibility is required for installation, operation, or maintenance

### PRODUCT FEATURES

- All black nonmetallic construction ends metal fatigue and separation problems and provides superior corrosion resistance
- Each connector is supplied with a Neoprene O-ring and nylon gasket
- SWIVEL-LOK, multiposition connector (trade sizes 3/8" to 1") twists from 0° to 90°, easing installation in difficult locations and eliminating need to stock other angle connectors

### COMPLIANCES

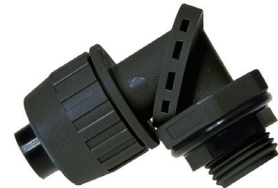
- - Standard 514B
- - C22.2 #18
- NEMA Type 4x, 12 and 13

CATALOG #	TRADE SIZE	UNIT CARTON QTY.	SHIP CARTON QTY.	BAR CODE
<b>Straight Connectors - Nylon</b>				
4741*	3/8"	—	25	—
4742	1/2"	—	25	—
4743	3/4"	—	25	—
4744	1"	—	10	—
4745	1-1/4"	—	10	—
4746	1-1/2"	—	5	—
4748	2"	—	5	—

\* 1/2" Trade size hub



**SWIVEL-LOK Straight Position**  
Nylon - for Extra Flexible Tubing



**SWIVEL-LOK 90° Position**  
Nylon - for Extra Flexible Tubing

CATALOG #	TRADE SIZE	UNIT CARTON QTY.	SHIP CARTON QTY.	BAR CODE
<b>SWIVEL-LOK Multiposition Connectors - Nylon for Extra Flexible Tubing</b>				
4751*	3/8"	—	25	—
4752	1/2"	—	25	—
4753	3/4"	—	25	—
4754	1"	—	10	—

\* 1/2" Trade size hub

**STRAIN RELIEF CORD CONNECTORS - STEEL/MALLEABLE IRON**

**Straight Connectors**

CATALOG #	CABLE RANGE INCHES	UNIT CARTON QTY.	SHIP CARTON QTY.	BAR CODE
<b>Straight Connectors - Steel/Malleable Iron</b>				
<i>1/2" Hubs - Form 1</i>				
3702-1	.125 - .250	—	25	—
3702-2	.250 - .375	—	25	—
3782-2	.250 - .375	1	15	
3702-3	.375 - .425	—	25	—
3702-4	.425 - .500	—	25	—
<i>1/2" Hubs - Form 2</i>				
3702-5	.375 - .500	—	25	—
3782-5	.375 - .500	1	15	
3702-6	.500 - .600	—	25	—
3782-6	.500 - .600	1	15	
<i>3/4" Hubs - Form 3</i>				
3703-1	.250 - .375	—	25	—
3703-2	.375 - .500	—	25	—
3703-3	.500 - .600	—	25	—
3703-4	.600 - .700	—	25	—
3703-6	.650 - .700	—	25	—
3703-5	.700 - .850	—	25	—
<i>1" Hubs - Form 4</i>				
3704-1	.600 - .700	—	25	—
3704-2	.700 - .850	—	25	—
3704-3	.850 - 1.000	—	25	—
<i>1-1/4" Hubs - Form 5</i>				
3705-1	.850 - 1.000	—	25	—
3705-2	1.000 - 1.250	—	25	—
3705-3	1.250 - 1.400	—	25	—
<i>1-1/2" Hubs - Form 6</i>				
3706-1	1.000 - 1.250	—	10	—
3706-2	1.250 - 1.400	—	10	—

**APPLICATIONS**

- For use in dry or wet locations to provide a liquidtight and strain relief termination for flexible cord and cable
- RACO® liquidtight strain relief cord connectors are suitable for use in Class I, Div 2; Class II, Div 1 & 2; and Class III, Div 1 & 2 hazardous locations

**PRODUCT FEATURES**

- All steel/malleable construction provides mechanical strength
- Unique Neoprene grommet design - grommet is forced up and around the cord when the nut is tightened for a positive liquidtight seal
- Washers have size range imprinted for identification - eliminates misidentifying inventory
- Use RACO® locknuts and sealing washers to complete a liquidtight installation on a sheet metal box or panel
- All metallic components are zinc-electroplated for corrosion protection
- UPC bar coded fittings are individually polybagged with a preprinted UPC-A bar code and packaged in pre-scored tear top cartons for attractive presentation

**BODIES**

- 3/8" to 1" Steel, 1-1/4" to 1-1/2" Malleable Iron

**NUTS**

- 3/8" to 1" Steel, 1-1/4" to 1-1/2" Malleable Iron

**COMPLIANCE**

- US  
UL FILE E195973



COLOR-CODED CORD GRIP CONNECTORS



**Straight Connectors**

**APPLICATIONS**

- For use in wet or dry locations to provide a liquidtight and strain relief termination for flexible cord and cable. RACO® liquidtight strain relief cord connectors are suitable for use in Class I, Div. 2, Class II, Div. 1 and 2; Class III, Div. 1 and 2 hazardous locations.

**PRODUCT FEATURES**

- Straight connectors are available in steel; 45° and 90° connectors available in malleable iron
- Neoprene grommets are color-coded by cable diameter allowing for quick and easy identification
- Steel and malleable iron construction provides mechanical strength and durability
- Metallic components are zinc-electroplated for corrosion protection
- Unique grommet design is forced up and around the cord when the nut is tightened creating a liquidtight seal
- Time saving and easy installation - no need to disassemble the fitting for cord installation
- Male tapered thread NPT

**COMPLIANCE**

- cUL<sub>us</sub> LISTED E195973
- NEMA 4

CATALOG #	TRADE SIZE	GROMMET COLOR	CABLE RANGE (IN.)	SHIP CTN. QTY.	BARCODE
<b>Straight Connectors</b>					
3722-0	1/2"	Red	.15-.25	25	
3722-1	1/2"	White	.25-.35	25	
3722-2	1/2"	Blue	.35-.45	25	
3722-3	1/2"	Green	.45-.56	25	
3722-4	1/2"	Brown	.55-.65	25	
3723-0	3/4"	Red	.15-.25	25	
3723-1	3/4"	White	.25-.35	25	
3723-2	3/4"	Blue	.35-.45	25	
3723-3	3/4"	Green	.45-.56	25	
3723-4	3/4"	Brown	.55-.65	25	
3723-6	3/4"	Yellow	.65-.75	25	
3723-5	3/4"	Purple	.75-.85	25	
3724-0	1"	Green	.45-.56	25	
3724-1	1"	Brown	.55-.65	25	
3724-5	1"	Yellow	.65-.75	25	
3724-2	1"	Purple	.75-.85	25	
3724-3	1"	Gray	.85-.95	25	
3724-4	1"	Black	.95-1.05	25	
3725-0	1-1/4"	Purple	.75-.85	25	
3725-1	1-1/4"	Gray	.85-.95	25	
3725-2	1-1/4"	Black	.95-1.05	25	
3725-4	1-1/4"	Orange	1.05-1.15	25	
3725-5	1-1/4"	Red	1.15-1.25	25	
3725-3	1-1/4"	White	1.25-1.375	25	
3726-0	1-1/2"	Black	.95-1.05	25	
3726-1	1-1/2"	Orange	1.05-1.15	25	
3726-2	1-1/2"	Red	1.15-1.25	10	
3726-3	1-1/2"	White	1.25-1.375	10	

SEE END OF SECTION (PG B115) FOR DETAILED DRAWINGS >>



**COLOR-CODED CORD GRIP CONNECTORS**

**90° Connectors**

**45° Connectors**

CATALOG #	TRADE SIZE	GROMMET COLOR	CABLE RANGE (IN.)	SHIP CTN. QTY.	BARCODE
<b>90° Connectors</b>					
3794-0	1/2"	Red	.15 -.25	25	
3794-1	1/2"	White	.25 -.35	25	
3794-2	1/2"	Blue	.35 -.45	25	
3794-3	1/2"	Green	.45 -.56	25	
3794-4	1/2"	Brown	.55 -.65	25	
3795-0	3/4"	Red	.15 -.25	10	
3795-1	3/4"	White	.25 -.35	10	
3795-2	3/4"	Blue	.35 -.45	10	
3795-3	3/4"	Green	.45 -.56	10	
3795-4	3/4"	Brown	.55 -.65	10	
3795-5	3/4"	Yellow	.65 -.75	10	
3795-6	3/4"	Purple	.75 -.85	10	
3796-0	1"	Green	.45 -.56	10	
3796-1	1"	Brown	.55 -.65	10	
3796-2	1"	Yellow	.65 -.75	10	
3796-3	1"	Purple	.75 -.85	10	
3796-4	1"	Gray	.85 -.95	10	
3796-5	1"	Black	.95 -1.05	10	
<b>45° Connectors</b>					
3745-0	1/2"	Red	.15 -.25	25	
3745-1	1/2"	White	.25 -.35	25	
3745-2	1/2"	Blue	.35 -.45	25	
3745-3	1/2"	Green	.45 -.56	25	
3745-4	1/2"	Brown	.55 -.65	25	
3746-0	3/4"	Red	.15 -.25	10	
3746-1	3/4"	White	.25 -.35	10	
3746-2	3/4"	Blue	.35 -.45	10	
3746-3	3/4"	Green	.45 -.56	10	
3746-4	3/4"	Brown	.55 -.65	10	
3746-5	3/4"	Yellow	.65 -.75	10	
3746-6	3/4"	Purple	.75 -.85	10	
3747-0	1"	Green	.45 -.56	10	
3747-1	1"	Brown	.55 -.65	10	
3747-2	1"	Yellow	.65 -.75	10	
3747-3	1"	Purple	.75 -.85	10	
3747-4	1"	Gray	.85 -.95	10	
3747-5	1"	Black	.95 -1.05	10	

**APPLICATIONS**

- For use in wet or dry locations to provide a liquidtight and strain relief termination for flexible cord and cable. RACO® liquidtight strain relief cord connectors are suitable for use in Class I, Div. 2, Class II, Div. 1 and 2; Class III, Div. 1 and 2 hazardous locations.

**PRODUCT FEATURES**

- Straight connectors are available in steel; 45° and 90° connectors available in malleable iron
- Neoprene grommets are color-coded by cable diameter allowing for quick and easy identification
- Steel and malleable iron construction provides mechanical strength and durability
- Metallic components are zinc-electroplated for corrosion protection
- Unique grommet design is forced up and around the cord when the nut is tightened creating a liquidtight seal
- Time saving and easy installation - no need to disassemble the fitting for cord installation
- Male tapered thread NPT

**COMPLIANCE**

- cUL<sub>us</sub> LISTED E195973
- NEMA 4

SEE END OF SECTION (PG B115 AND B116) FOR DETAILED DRAWINGS &gt;&gt;


**LIQUIDTIGHT CONDUIT AND CORD CONNECTORS**
**90° STRAIN RELIEF CORD CONNECTORS - STEEL/MALLEABLE IRON**

**90° Connectors**
**APPLICATIONS**

- For use in dry or wet locations to provide a liquidtight and strain relief termination for flexible cord and cable
- RACO® liquidtight strain relief cord connectors are suitable for use in Class I, Div 2; Class II, Div 1 & 2; and Class III, Div 1 & 2 hazardous locations

**PRODUCT FEATURES**

- All steel/malleable construction provides mechanical strength
- Unique Neoprene grommet design - grommet is forced up and around the cord when the nut is tightened for a positive liquidtight seal
- Washers have size range imprinted for identification - eliminates misidentifying inventory
- Use RACO® locknuts and sealing washers to complete a liquidtight installation on a sheet metal box or panel
- All metallic components are zinc-electroplated for corrosion protection

**BODIES**

- 1/2" to 3/4" Malleable Iron

**NUTS**

- 1/2" to 3/4" Steel

**COMPLIANCE**

- UL FILE E195973

CATALOG #	CABLE RANGE INCHES	UNIT CARTON QTY.	SHIP CARTON QTY.	BAR CODE
<b>90° Connectors - Malleable Iron</b>				
<i>1/2" Hubs - Form 1</i>				
3792-1	.125 - .250	—	25	—
3792-2	.250 - .375	—	25	—
3792-3	.375 - .425	1	25	—
3792-4	.425 - .500	—	25	—
<i>1/2" Hubs - Form 2</i>				
3792-5	.375 - .500	—	25	—
3792-6	.500 - .600	1	25	—
<i>3/4" Hubs - Form 3</i>				
3793-1	.250 - .375	—	10	—
3793-2	.375 - .500	—	10	—
3793-3	.500 - .600	—	10	—
3793-4	.600 - .650	—	10	—
3793-6	.650 - .700	—	10	—
3793-5	.700 - .850	—	10	—

SEE END OF SECTION (PG B112) FOR DETAILED DRAWINGS &gt;&gt;



**STRAIN RELIEF CORD CONNECTORS - NONMETALLIC**

**Straight Connectors  
Nylon**

CATALOG #	CABLE RANGE INCHES	UNIT CARTON QTY.	SHIP CARTON QTY.	BAR CODE
<b>Straight Connectors - Nylon</b>				
<i>1/4" Hubs - Form 1</i>				
4699-5	.312 - .375	—	25	—
<i>3/8" Hubs - Form 1</i>				
4700-5	.312 - .375	—	25	—
4700-6	.375 - .437	1	25	—
<i>1/2" Hubs - Form 2</i>				
4702-1	.062 - .125	—	25	—
4702-3	.187 - .250	—	25	—
4702-4	.250 - .375	—	25	—
4702-5	.375 - .500	—	25	—
4702-6	.500 - .625	—	25	—
<i>3/4" Hubs - Form 3</i>				
4703-1	.375 - .500	—	15	—
4703-2	.500 - .625	—	15	—
4703-3	.625 - .750	—	15	—
4703-4	.750 - .875	—	15	—
<i>1" Hubs - Form 4</i>				
4704-3	.625 - .750	—	10	—
4704-5	.875 - 1.000	—	10	—
4704-6	1.000 - 1.125	—	10	—

**APPLICATIONS**

- For use in dry or wet locations to provide a liquidtight and strain relief termination for flexible cord and cable
- RACO® liquidtight strain relief cord connectors are suitable for use in Class I, Div 2; Class II, Div 1 & 2; and Class III, Div 1 & 2 hazardous locations

**PRODUCT FEATURES**

- Nylon construction is lightweight and easy to use
- Neoprene grommet
- Resists most common industrial corrosives
- Color-coded gotcha ring provides fast identification of cord size

DIA. RANGE INCHES	COLOR CODE
.062 - .125	Green
.187 - .250	Red
.250 - .312	Black
.312 - .375	White
.250 - .375	White
.375 - .437	Blue
.375 - .500	Blue
.500 - .625	Brown
.625 - .750	Yellow
.750 - .875	Purple
.875 - 1.000	Gray
1.000 - 1.125	Pink

**COMPLIANCES**

- - Standard 514B
- - C22.2 #18





STRAIGHT STRAIN RELIEF CORD CONNECTORS - ALUMINUM



**Straight Connectors**

**APPLICATIONS**

- For use in dry or wet locations to provide a liquidtight and strain relief termination for flexible cord and cable
- Aluminum liquidtight strain relief cord connectors are suitable for use in Class I, Div 2; Class II, Div 1 & 2; and Class III, Div 1 & 2 hazardous locations

**PRODUCT FEATURES**

- Aluminum construction provides a corrosion resistant installation
- Unique gotcha ring incorporates a split hinge design to prevent friction and to provide strain relief
- Neoprene grommet
- Knurled compression nut allows the fittings to be hand tightened to UL requirements
- Gotcha ring is color-coded for sizing identification

DIAMETER RANGE	COLOR CODE
.062 - .125	Green
.125 - .187	Orange
.187 - .250	Red
.250 - .312	Black
.312 - .375	White
.250 - .375	White
.375 - .437	Blue
.375 - .500	Blue
.500 - .625	Brown
.625 - .750	Yellow
.750 - .875	Purple
.875 - 1.000	Gray
1.000 - 1.125	Pink

**COMPLIANCES**

- - Standard 514B
- - C22.2 #18

CATALOG #	CABLE RANGE INCHES	UNIT CARTON QTY.	SHIP CARTON QTY.	BAR CODE
<b>Straight Connectors - Aluminum</b>				
<i>1/2" Hubs - Form 1</i>				
4801-2	.187 - .250	—	25	—
4801-3	.250 - .312	—	25	—
4801-4	.312 - .375	—	25	—
4801-5	.375 - .437	—	25	—
<i>1/2" Hubs - Form 2</i>				
4801-0	.062 - .125	—	25	—
4801-1	.125 - .187	—	25	—
4802-4	.375 - .500	—	25	—
4802-5	.500 - .625	—	25	—
<i>1/2" Hubs - Form 3</i>				
4802-8	.625 - .750	—	15	—
4802-9	.750 - .875	—	15	—
<i>3/4" Hubs - Form 2</i>				
4803-2	.187 - .250	—	25	—
4803-3	.250 - .375	—	25	—
4803-4	.375 - .500	—	25	—
4803-5	.500 - .625	—	25	—
<i>3/4" Hubs - Form 3</i>				
4803-8	.625 - .750	—	15	—
4803-9	.750 - .875	—	15	—
<i>1" Hubs - Form 4</i>				
4804-0	.375 - .500	—	10	—
4804-1	.500 - .625	—	10	—
4804-2	.625 - .750	—	10	—
4804-3	.750 - .875	—	10	—
4804-4	.875 - 1.000	—	10	—
4804-5	1.000 - 1.250	—	10	—


**STRAIGHT SQUEEZE CONNECTORS - MALLEABLE IRON**

**Straight Squeeze Connectors  
Insulated**

**Straight Squeeze Connectors  
Uninsulated**

CATALOG #	TRADE SIZE	UNIT CARTON QTY.	SHIP CARTON QTY.	BAR CODE
<b>Straight Squeeze Connectors, Insulated - Malleable Iron</b>				
3301	3/8"*	—	50	—
3302	1/2"	—	50	—
3302-8	1/2"	1	25	
3303	3/4"	—	25	—
3303-8	3/4"	1	20	
3304	1"	—	25	—
3304-8	1"	1	5	
3305	1-1/4"	—	25	—
3306	1-1/2"	—	25	—
3308	2"	—	10	—
3310	2-1/2"	—	1	—
3312	3"	—	1	—
3314	3-1/2"	—	1	—
3316	4"	—	1	—
<b>Straight Squeeze Connectors, Uninsulated - Malleable Iron</b>				
2101	3/8"*	—	50	—
2102	1/2"	—	50	—
2102-8	1/2"	1	25	
2103	3/4"	—	25	—
2103-8	3/4"	1	20	
2104	1"	—	25	—
2104-8	1"	1	5	
2105	1-1/4"	—	25	—
2106	1-1/2"	—	25	—
2108	2"	—	10	—
2110	2-1/2"	—	5	—
2112	3"	—	5	—
2114	3-1/2"	—	1	—
2116	4"	—	1	—

\* For 1/2" knockout

**APPLICATIONS**

- For use in dry locations to bond flexible metal conduit to a box or enclosure

**PRODUCT FEATURES**

- All malleable construction ensures mechanical protection for the raceway
- Zinc-electroplated for added corrosion protection
- UPC bar coded fittings are individually polybagged with a preprinted UPC-A bar code and packaged in pre-scored tear top cartons for an attractive presentation

**COMPLIANCE**

- UL US  
UL Listed E195969



DOUBLE BITE SADDLE CONNECTORS - MALLEABLE IRON/STEEL



**Insulated Straight Connectors**

**90° Insulated Connectors**

**APPLICATIONS**

- Use 3/8" - 1" RACO® Double Bite Saddle Connectors in dry locations to connect flexible metal conduit, MCI, MCI-A and AC cable to a box or enclosure
- Use 1-1/4" to 4" in dry locations to connect flexible metal conduit to a box or enclosure

**PRODUCT FEATURES**

- Straight connectors have all steel construction that ensures mechanical protection for raceways
- Straight connectors available in 3/8" to 4" trade sizes
- 90° connectors have malleable iron and steel construction for added strength
- 90° connectors available in 3/8" to 1" trade sizes
- Dual saddle clamp ensures proper conduit and cable connection for raceway
- Zinc-electroplated for corrosion resistant installation
- Tri-head screw/clamp design - connectors can be installed by using a slotted, Phillips or Robertson head screwdriver
- Insulated throats on all double bite connectors provide maximum wire protection

**COMPLIANCES**

- - Standard 514B  
UL Listed E195966
- NEMA FB-1

INSULATED CATALOG #	UNINSULATED CATALOG #	TRADE SIZE	UNIT CARTON QTY.	SHIP CARTON QTY.	BAR CODE
<b>Straight DOUBLE BITE Saddle Connectors - Steel</b>					
3301DB	2101DB	3/8"	—	50	—
3302DB	—	1/2"	—	25	—
3303DB	—	3/4"	—	10	—
3304DB	—	1"	—	5	—
3305DB	—	1-1/4"	—	5	—
3306DB	—	1-1/2"	—	5	—
3308DB	—	2"	—	1	—
3310DB	—	2-1/2"	—	1	—
3312DB	—	3"	—	1	—
3314DB	—	3-1/2"	—	1	—
3316DB	—	4"	—	1	—
<b>90° DOUBLE BITE Saddle Connectors - Steel/Malleable Iron</b>					
3201DB	—	3/8"	—	50	—
3202DB	—	1/2"	—	25	—
3203DB	—	3/4"	—	10	—
3204DB	—	1"	—	5	—

CABLE RANGE		TRADE SIZE
MAX	MIN	
1.610"	1.150"	1-1/4"
1.950"	1.490"	1-1/2"
2.450"	1.765"	2"
3.060"	2.270"	2-1/2"
3.560"	2.725"	3"
4.060"	3.410"	3-1/2"
4.560"	3.860"	4"

SEE END OF SECTION (PG B118) FOR DETAILED DRAWINGS >>


**90° SQUEEZE CONNECTORS - MALLEABLE IRON**

**90° Squeeze Connectors  
Insulated**

**90° Squeeze Connectors  
Uninsulated**

INSULATED CATALOG #	UNINSULATED CATALOG #	TRADE SIZE	UNIT CARTON QTY.	SHIP CARTON QTY.	BAR CODE
<b>90° Squeeze Connector, Insulated and Uninsulated – Malleable Iron</b>					
3201	2201	3/8"*	—	50	—
3202	—	1/2"	—	25	—
—	2202	1/2"	25	100	—
3202-8	2202-8	1/2"	1	25	
3203	2203	3/4"	—	25	—
3203-8	2203-8	3/4"	1	20	
3204	2204	1"	—	25	—
3205	2205	1-1/4"	—	10	—
3206	2206	1-1/2"	—	5	—
3208	2208	2"	—	5	—
3210	2210	2-1/2"	—	1	—
3212	2212	3"	—	1	—
3214	2214	3-1/2"	—	1	—
3216	2216	4"	—	1	—

**APPLICATIONS**

- For use in dry locations to bond flexible metal conduit to a box or enclosure

**PRODUCT FEATURES**

- All malleable construction ensures mechanical protection for the raceway
- Zinc-electroplated for added corrosion protection
- UPC bar coded fittings are individually polybagged with a preprinted UPC-A bar code and packaged in pre-scored tear top cartons for an attractive presentation

**INSULATED AND UNINSULATED COMPLIANCE**

- UL Listed E195969 (excludes 3201)

\* For 1/2" knockout



STRAIGHT SQUEEZE CONNECTORS - DIE-CAST ZINC



**Straight Squeeze Uninsulated**

**APPLICATIONS**

- For use in dry locations to bond flexible metal conduit to a box or enclosure

**PRODUCT FEATURES**

- Rugged metallic construction ensures mechanical protection for the raceway

**COMPLIANCES**

- - Standard 514B  
UL LISTED E195969
- - C22.2 #18 (2191 - 2198)

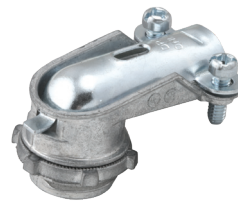
CATALOG #	TRADE SIZE	UNIT CARTON QTY.	SHIP CARTON QTY.	BAR CODE
<b>Straight Squeeze Connector, Uninsulated – Die-Cast Zinc</b>				
2191	3/8"*	50	500	—
2192	1/2"	25	250	—
2193	3/4"	25	250	—
2194	1"	10	100	—
2195RAC	1-1/4"	10	100	—
2196RAC	1-1/2"	5	50	—
2198	2"	10	40	—

\* For 1/2" knockout

45° AND 90° SQUEEZE CONNECTORS - DIE-CAST ZINC



**45° Squeeze Connectors Uninsulated**



**90° Squeeze Connectors Uninsulated**

**APPLICATIONS**

- For use in dry locations to bond flexible metal conduit to a box or enclosure

**PRODUCT FEATURES**

- Rugged metallic construction ensures mechanical protection for the raceway

**COMPLIANCES**

- - Standard 514B (2691 - 2698)  
UL FILE E195969
- - C22.2 #18 (2691 - 2698)
- - (2221 - 2222)

CATALOG #	TRADE SIZE	UNIT CARTON QTY.	SHIP CARTON QTY.	BAR CODE
<b>45° Squeeze Connector, Uninsulated – Malleable Iron - Die-Cast Zinc</b>				
2221	3/8"*	—	25	—
2222	1/2"	—	25	—
<b>90° Squeeze Connector, Uninsulated – Die-Cast Zinc</b>				
2691	3/8"*	50	500	—
2692	1/2"	25	250	—
2693	3/4"	10	100	—
2694	1"	5	50	—
2695	1-1/4"	10	40	—
2696	1-1/2"	—	5	—
2698	2"	—	5	—

\* For 1/2" knockout

SEE END OF SECTION (PG B119) FOR DETAILED DRAWINGS >>




**SCREW-IN TYPE CONNECTORS AND COUPLINGS - DIE-CAST ZINC**

**Uninsulated Screw-In Connectors**

**Screw-In Couplings**

CATALOG #	TRADE SIZE	UNIT CARTON QTY.	SHIP CARTON QTY.	BAR CODE
<b>Connectors - Screw-in – Die-Cast Zinc</b>				
2281	3/8"*	50	500	—
2282	1/2"	50	500	—
2283	3/4"	25	250	—
<b>Couplings - Screw-in – Die-Cast Zinc</b>				
2272	1/2"	50	500	—
2273	3/4"	25	250	—

\* 1/2" Trade size hub

**APPLICATIONS**

- For use in dry locations to bond flexible metal conduit to a box or enclosure

**PRODUCT FEATURES**

- Rugged metallic construction ensures mechanical protection for the raceway

**COMPLIANCES**

- - Standard 514B  
UL LISTED E195969
- - C22.2 #18

**SET SCREW CONNECTORS - DIE-CAST ZINC**

**2511  
Set Screw Connector**

**2632  
Set Screw Connector**

CATALOG #	TRADE SIZE	UNIT CARTON QTY.	SHIP CARTON QTY.	BAR CODE
<b>Set Screw Connector – Die-Cast Zinc</b>				
2511	3/8"*	100	1000	—
2632	1/2"	25	250	—

\* For 1/2" knockout

**APPLICATIONS**

- For use in dry locations to bond flexible metal conduit to a box or enclosure

**PRODUCT FEATURES**

- Rugged metallic construction ensures mechanical protection for the raceway

**COMPLIANCES**

- - Standard 514B  
UL FILE E195969
- - C22.2 #18





**FLEXIBLE METAL CONDUIT FITTINGS**

**CLAMP TYPE CONNECTORS AND DUPLEX CONNECTORS - DIE-CAST ZINC**



**Clamp Type Connector**



**Duplex Connector**

**APPLICATION**

- For use in dry locations to bond flexible metal conduit to a box or enclosure

**PRODUCT FEATURE**

- Rugged metallic construction ensures mechanical protection for the raceway

**COMPLIANCES**

- - Standard 514B  
UL FILE E195969
- - C22.2 #18

**APPLICATIONS**

- For use when coupling flexible metal conduit to Rigid/IMC conduit
- Use RACO® Cat. Nos. 1552 - 1554 when coupling threaded Rigid/IMC conduit to flexible metal conduit

**PRODUCT FEATURES**

- Rugged metallic construction ensures mechanical protection
- Steel/malleable components are zinc-electroplated for added corrosion protection

**COMPLIANCE**

- UL FILE E195969
- 

**FLEX - EMT APPLICATION**

- For use when coupling flexible metal conduit to EMT conduit

**PRODUCT FEATURES**

- Rugged metallic construction ensures mechanical protection
- Steel/malleable components are zinc-electroplated for added corrosion protection
- UPC bar coded fittings are individually polybagged with a preprinted UPC-A bar code and packaged in pre-scored tear top cartons for an attractive presentation

**COMPLIANCES**

- - Standard 514B
- - C22.2 #18

CATALOG #	TRADE SIZE	UNIT CARTON QTY.	SHIP CARTON QTY.	BAR CODE
<b>Clamp Type Connector – Die-Cast Zinc</b>				
2661	3/8"*	100	1000	—
<b>Duplex Connector – Die-Cast Zinc</b>				
2611	3/8"*	25	250	—

\* For 1/2" knockout

**COMBINATION COUPLINGS - MALLEABLE IRON**



**Flex - Rigid Couplings**

CATALOG #	TRADE SIZE	UNIT CARTON QTY.	SHIP CARTON QTY.	BAR CODE
<b>Flex to Rigid Couplings – Malleable Iron</b>				
1552	1/2"	25	100	—
1553	3/4"	—	25	—
1554	1"	—	25	—



**Flex - EMT Squeeze Couplings**

CATALOG #	FLEX SIZE	EMT SIZE	UNIT CARTON QTY.	SHIP CARTON QTY.	BAR CODE
<b>Flex-EMT Squeeze Couplings – Malleable Iron</b>					
1941	3/8"	1/2"	—	25	—
1942	1/2"	1/2"	—	25	—
1942-8	1/2"	1/2"	1	25	
1943	3/4"	3/4"	—	25	—
1943-8	3/4"	3/4"	1	50	

\* Not UL Listed

SEE END OF SECTION (PG B121) FOR DETAILED DRAWINGS >>




**COMBINATION COUPLINGS - DIE-CAST ZINC**

**Flex - EMT Screw-In/Compression Couplings**

CATALOG #	FLEX SIZE	EMT SIZE	UNIT CARTON QTY.	SHIP CARTON QTY.	BAR CODE
<b>Flex-EMT Couplings, Screw-In/Compression – Die-Cast Zinc</b>					
1482	1/2"	1/2"	50	500	—
1483	3/4"	3/4"	25	250	—
1484	1"	1"	25	250	

**COMBINATION COUPLINGS APPLICATION**

- Use when coupling flexible metal conduit to EMT conduit

**PRODUCT FEATURE**

- Rugged metallic construction ensures mechanical protection

**COMPLIANCES**

- - Standard 514B
- - C22.2 #18

**NAIL-UP STRAPS**

**Nail-Up Straps**

CATALOG #	TRADE SIZE	UNIT CARTON QTY.	SHIP CARTON QTY.	BAR CODE
<b>Nail-Up Straps – Steel</b>				
2252	3/8"*	100	1000	—
2253	1/2"**	100	1000	—
2254	3/4"***	100	1000	—

**NAIL-UP STRAPS APPLICATION**

- For use in mounting flexible metal conduit, armored cable, and MC cable

**PRODUCT FEATURE**

- Stamped steel straps are pre-galvanized for added corrosion protection

**NAIL-UP STRAPS COMPLIANCE**

- 

\* For 3/8" flexible metal conduit. Also suitable for AC and MC cable.

\*\* For 1/2" flexible metal conduit. Also suitable for AC and MC cable.

\*\*\*For 3/4" flexible metal conduit. Also suitable for AC and MC cable.


**UNINSULATED CONNECTORS - DIE-CAST ZINC**

**Set Screw Connector**

**Clamp Type Connector**

**Squeeze Type Connector**
**APPLICATIONS**

- For use in dry locations to bond armored cable to a box or enclosure

**PRODUCT FEATURES**

- Rugged metallic construction ensures mechanical protection for the raceway

**COMPLIANCES**

- - Standard 514B  
UL Listed E195969 (excludes 2191)
- - C22.2 #18

CATALOG #	TRADE SIZE	UNIT CARTON QTY.	SHIP CARTON QTY.	BAR CODE
<b>Set Screw Connector – Die-Cast Zinc</b>				
2511 <sup>①</sup>	3/8"	100	1000	—
<b>Clamp Type Connector – Die-Cast Zinc</b>				
2661 <sup>①</sup>	3/8"	100	1000	—
<b>Squeeze Type Connector – Die-Cast Zinc</b>				
2191 <sup>②</sup>	3/8"	50	500	—
2192	1/2"	25	250	—
2193	3/4"	25	250	—
2194	1"	10	100	—

<sup>①</sup> For 1/2" knockout. 1/2" Hub size suitable for use with steel armored cable sizes 2#14, 3#14, 2#12, 3#12, 2#10 and 3#10 all with ground wire.

<sup>②</sup> For 1/2" knockout. Suitable for use with steel armored cable and flexible metal conduit.


**90° AND DUPLEX CONNECTORS - DIE-CAST ZINC**

**90° Squeeze Type Connector  
Uninsulated**

**Duplex Connector**

CATALOG #	TRADE SIZE	UNIT CARTON QTY.	SHIP CARTON QTY.	BAR CODE
<b>90° Squeeze Type Connector, Uninsulated – Die-Cast Zinc</b>				
2691	3/8"*	50	500	—
2692	1/2"	25	250	—
2693	3/4"	10	100	—
<b>Duplex Connector – Die-Cast Zinc</b>				
2611	3/8"*	25	250	—

\* For 1/2" knockout

**APPLICATIONS**

- For use in dry locations to bond armored cable to a box or enclosure

**PRODUCT FEATURES**

- Rugged metallic construction ensures mechanical protection for the raceway

**COMPLIANCES**

- - Standard 514B  
UL Listed E195969
- - C22.2 #18


**STRAP - STEEL**

**One Hole Strap**
**APPLICATIONS**

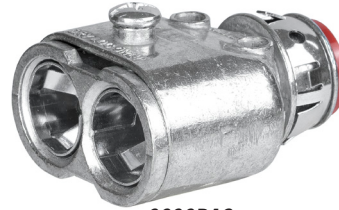
- For use when mounting MC and AC cables in dry locations

**PRODUCT FEATURES**

- All steel construction ensures mechanical protection
- Zinc-electroplated for corrosion protection

CATALOG #	TRADE SIZE	UNIT CARTON QTY.	SHIP CARTON QTY.	BAR CODE
<b>One Hole Strap – Steel</b>				
2081	3/8"	100	1000	—

SEE END OF SECTION (PG B107) FOR DETAILED DRAWINGS &gt;&gt;


**PUSH-IN CONNECTORS - STEEL**

**3838RAC**

**4040RAC**

CATALOG #	TRADE SIZE	UNIT CARTON QTY.	SHIP CARTON QTY.	BAR CODE
<b>One Hole Strap – Steel</b>				
3838RAC	3/8"	25	250	
40040RAC	3/8"	25	250	

**APPLICATIONS**

- RACO's new Double Barrel *Push-in* cable connectors make it easy to secure two or more metal-clad cable into boxes or enclosures. Simply insert a cable into the cable opening, then snap the box end of the connector into a box knockout, done! No tools needed for a secure assembly. Double Barrel *Push-in* connectors are perfect for new or old work and can be removed and reused.

**PRODUCT FEATURES**

- Fits standard 1/2" knockouts in electrical boxes or enclosures
- Both connectors designed to terminate MC, MCI-A, AC, AC/HCF, MCI-A HFC, MC-PCS, RWFMC
- 4040RAC tinted gold inside to indicate larger cable range
- Die-cast zinc construction with nylon anti-short bushing
- For use in dry locations only
- See back for cable size ranges

<b>3838RAC</b>	Cable Type (Steel & Aluminum)	Cable Ranges	Cable Dimensions	
			Steel	Aluminum
MC	14/2 - 10-3		0.460 - 0.611 in.	0.402 - 0.570 in.
MCI-A				
AC/HCF				
MCI-A HCF	12/2 - 10-3		0.460 - 0.611 in.	0.402 - 0.570 in.
MC-PCS (SOLID)	12/2 - 12-3			
RWFMC CONDUIT	3/8" Trade Size Flex Anti Short Bushing Required			

<b>4040RAC</b>	Cable Type (Steel & Aluminum)	Cable Ranges	Cable Dimensions	
			Steel	Aluminum
MC	14/3 - 10-3		0.460 - 0.611 in.	0.402 - 0.570 in.
MCI-A				
AC				
AC/HCF	14/2 - 10-3		0.460 - 0.611 in.	0.402 - 0.570 in.
MCI-A HCF	12/2 - 10-3			
MC-PCS (SOLID)	12/2 - 12-3			
RWFMC CONDUIT	3/8" Trade Size Flex Anti Short Bushing Required			

SEE END OF SECTION (PG B124) FOR DETAILED DRAWINGS &gt;&gt;



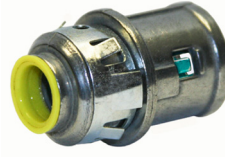


**METAL CLAD CABLE CONNECTORS**

**PUSH-IN CONNECTORS - STEEL**



**38RAC**



**40RAC**

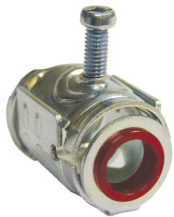
**APPLICATIONS**

- Push-in cable connectors make it easy to secure metal-clad cable into boxes or enclosures. Simply insert a cable into the cable opening, then snap the box end of the connector into a box knockout, done!
- No tools needed for a secure assembly
- Can be removed and reused

**PRODUCT FEATURES**

- Fits standard 1/2" knockouts in electrical boxes or enclosures
- Both connectors designed to terminate MC-PCS, MCI, MCI-A, AC, HCF, and FMC
- 40RAC tinted blue inside to indicate larger cable range
- Die-cast zinc construction with nylon anti-short bushing
- For use in dry locations

**COMPLIANCE**



**2801**

**APPLICATIONS**

- For use in dry locations to connect MCI, MCI-A (2800 only), AC, and HCF cable into a box or enclosure

**PRODUCT FEATURES**

- Easy to install - just tilt, insert and snap down
- Tri-head screw/clamp design - connector can be installed by using a slotted, Phillips or Robertson head screwdriver
- Integral insuliner provides maximum wire protection
- Durable all steel construction
- Zinc-electroplated for corrosion protection

**COMPLIANCE**

- LISTED
- UL Listed E195966

CATALOG NUMBER	TRADE SIZE	CABLE SIZE	UNIT CARTON QTY.	SHIP CARTON QTY.	BAR CODE
<b>Push-in Cable Connectors – Steel and Nylon (Bushing)</b>					
38RAC	3/8"	Push-in Connector	50	500	
40RAC	3/8"	Push-in Connector	50	500	

**38RAC**

CABLE TYPE (Steel & Aluminum)	CABLE RANGES
MC	14/2 - 10/3
MCI-A	
AC/HCF	
MCI-A HCF	12/2 - 10/3
MC-PCS (SOLID)	12/2 - 12/3
RWFMC CONDUIT	<b>3/8" TRADE SIZE FLEX</b> Anti Short Bushing Required

Cable Diameter Range: 0.402" - 0.610"

**40RAC**

CABLE TYPE (Steel & Aluminum)	CABLE RANGES
MC	14/3 - 10/3
MCI-A	
AC	
AC HCF	14/2 - 10/3
MCI-A HCF	12/2 - 10/3
MC-PCS (SOLID)	12/2 - 12/3
RWFMC CONDUIT	<b>3/8" TRADE SIZE FLEX</b> Anti Short Bushing Required

Cable Diameter Range: 0.470" - 0.610"

**CONNECTORS - SCREW TYPE STEEL**

CATALOG #	TRADE SIZE	UNIT CARTON QTY.	SHIP CARTON QTY.	BAR CODE
<b>Cable Connector – Steel</b>				
2800	1/2"	50	500	—
2801	3/4"	25	250	—

**SELECTION CHART**

CABLE TYPE	2800 - 1/2" KO	2801 - 3/4" KO
AC Steel	14-2, 14-3, 14-4, 12-2, 12-3, 12-4, 10-2, 10-3	10-4, 10-5, 8-3, 8-4, 6-3
HCF Steel	14-2, 14-3, 12-2, 12-3, 10-2	—
AC Aluminum	14-2, 14-3, 14-4, 12-2, 12-3, 12-4	10-4, 8-3, 8-4
MCI Steel	14-2, 14-3, 14-4, 12-2, 12-3, 12-4, 10-2	10-3, 10-4, 8-2, 8-3
MCI Aluminum	14-2, 14-3, 14-4, 12-2, 12-3, 12-4, 10-2	10-3, 10-4, 8-2
MC Aluminum	14-3, 14-4, 12-2, 12-3, 12-4, 10-2, 10-3	—
MCI-A Aluminum	12-8, 10-3, 10-4, 10-6	—

SEE END OF SECTION (PG B124) FOR DETAILED DRAWINGS >>





## CLAMP TYPE AND DUPLEX CONNECTORS - DIE-CAST ZINC


**Clamp Type Connector**

**Duplex Connector**

CATALOG #	TRADE SIZE	UNIT CARTON QTY.	SHIP CARTON QTY.	BAR CODE
<b>Clamp Type Cable Connector – Die-Cast Zinc</b>				
2661	3/8"*	100	1000	—
<b>Duplex Cable Connector – Die-Cast Zinc</b>				
2611	3/8"*	25	250	—

\* For 1/2" knockout

**APPLICATIONS**

- For use in dry locations to connect MC/MCI cable to a box or enclosure

**PRODUCT FEATURES**

- Rugged metallic construction ensures mechanical protection for the raceway

**COMPLIANCES**

- - Standard 514B  
UL Listed E195969
- - C22.2 #18

**1/2" HUB SIZE FOR MC CABLE - SELECTION CHART**

CLAMP TYPE - Part No. 2661	DIAMETER
Regular Aluminum Corrugated	.277" - .375"
Aluminum Corrugated	.365" - .510"
Aluminum Smooth	.345" - .525"
Aluminum Interlocked	.455" - .575"
Steel Interlocked	.435" - .547"
DUPLEX - Part No. 2611	DIAMETER
Aluminum Smooth	.410" - .500"
Aluminum Interlocked	.460" - .538"
Steel Interlocked	.438" - .560"

SEE END OF SECTION (PG B125) FOR DETAILED DRAWINGS >>



**METAL CLAD CABLE CONNECTORS**

**DOUBLE BITE SADDLE CONNECTORS - MALLEABLE IRON/STEEL**



**Straight Connectors  
Insulated**



**90° Connectors  
Insulated**

**APPLICATIONS**

- Use 3/8" - 1" RACO® double bite saddle connectors in dry locations to connect flexible metal conduit, MCI, MCI-A and AC cable to a box or enclosure
- Use 1-1/4" to 4" in dry locations to connect flexible metal conduit to a box or enclosure

**PRODUCT FEATURES**

- Straight connectors have all steel construction that ensures mechanical protection for raceways
- Straight connectors available in 3/8" to 4" trade sizes
- 90° connectors have malleable iron and steel construction for added strength
- 90° connectors available in 3/8" to 1" trade sizes
- Dual saddle clamp ensures proper conduit and cable connection for raceway
- Zinc-electroplated for corrosion resistant installation
- Tri-head screw/clamp design - connectors can be installed by using a slotted, Phillips or Robertson head screwdriver
- Insulated throats on all double bite connectors provide maximum wire protection

**COMPLIANCES**

- - Standard 514B  
UL Listed E195966
- NEMA FB-1

INSULATED CATALOG #	UNINSULATED CATALOG #	TRADE SIZE	UNIT CARTON QTY.	SHIP CARTON QTY.	BAR CODE
<b>Straight DOUBLE BITE Saddle Connectors - Steel</b>					
3301DB	2101DB	3/8"	—	50	—
3302DB	—	1/2"	—	25	—
3303DB	—	3/4"	—	10	—
3304DB	—	1"	—	5	—
3305DB	—	1-1/4"	—	5	—
3306DB	—	1-1/2"	—	5	—
3308DB	—	2"	—	1	—
3310DB	—	2-1/2"	—	1	—
3312DB	—	3"	—	1	—
3314DB	—	3-1/2"	—	1	—
3316DB	—	4"	—	1	—
<b>90° DOUBLE BITE Saddle Connectors - Steel/Malleable Iron</b>					
3201DB	—	3/8"	—	50	—
3202DB	—	1/2"	—	25	—
3203DB	—	3/4"	—	10	—
3204DB	—	1"	—	5	—

		ARMORED CABLES	METAL CLAD CABLES	MCI-A CABLES	FEFMC
		STEEL & ALUMINUM	STEEL & ALUMINUM		
2101DB	3/8"	14-2, 14-3, 14-4, 12-2, 12-3,	14-2, 14-3, 14-4, 12-2, 12-3,	12-2, 12-3, 12-4, 12-6,	
3201DB	3/8"	12-4, 10-2, .450-.660	12-4, 10-2, .450-.660	12-8, 10-3, 10-4,	
3301DB				.400-.590	
3202DB	1/2"	12-4, 10-2, 10-3, 10-4, 8-2,	10-2, 10-3, 10-4, 8-2, 8-3,	12-6, 12-8	
3302DB	1/2"	8-3, 8-4, 6-2, 6-3, .550-.920	.640-.920	.520-.620	
3203DB	3/4"	AL: 8-3, 8-4, 6-2, 6-3, 6-4,	AL: 6-4, 4-3, 3-3, .930-1.075		
3303DB	3/4"	4-2, 4-3, .680-1.075 ST: 6-4, 4-2, 4-3, .930-1.075	ST: 8-3, 8-4, 6-2, 6-3, 6-4, 4-3, 3-3, .730-1.075		
3204DB	1"	6-4, 4-3, 4-4, 3-2, 3-3, 2-3,	6-4, 4-3, 4-4, 3-3, 3-4,		
3304DB	1"	2-4, 1-3, 1-4, .930-1.468	.960-1.468		
3305DB	1-1/4"				1.150-1.610
3306DB	1-1/2"				1.490-1.950
3308DB	2"				1.765-2.450
3310DB	2-1/2"				2.270-3.060
3312DB	3"				2.725-3.560
3314DB	3-1/2"				3.410-4.060
3316DB	4"				3.860-4.560

SEE END OF SECTION (PG B125) FOR DETAILED DRAWINGS >>





### STRAP - STEEL



One Hole Strap

CATALOG #	TRADE SIZE	UNIT CARTON QTY.	SHIP CARTON QTY.	BAR CODE
<b>One Hole Strap – Steel</b>				
2081	3/8"	100	1000	—

#### APPLICATIONS

- For use in mounting MC and AC cables in dry locations

#### PRODUCT FEATURES

- All steel construction ensures mechanical protection
- Zinc-electroplated for corrosion protection



**NONMETALLIC SHEATHED CABLE CONNECTORS**

THE INSIDER® CONNECTOR - THERMOPLASTIC



**4714**  
**THE INSIDER®**

**APPLICATIONS**

- Use THE INSIDER® in dry locations to connect one or two runs of Nonmetallic Sheathed Cable (NMSC) to a box

**PRODUCT FEATURES**

- Installs from inside the box - The unique design allows the installer to run the NMSC through the knockout to the desired length before snapping the connector into the knockout. No need to cut an oversized hole for an old work box and connector installation
- The only NMSC connector that is UL tested for use with an eccentric knockout
- Accepts single and dual runs of NMSC and accommodates one of the widest ranges of NMSC combinations in the industry. No need to stock any other connector
- Snap-in locking tab design secures THE INSIDER® into the removed 1/2" knockout securely
- One-piece nonmetallic construction - made of tough engineered thermoplastic and can be use in exposed and concealed ceilings and walls. Resists corrosion and offers insulation protection.
- Can be easily removed by pushing one of the locking wing tabs with a screwdriver

**COMPLIANCE**

- LISTED  
UL FILE E195971  
US Patent 7,211,744

CATALOG #	TRADE SIZE	UNIT CARTON QTY.	SHIP CARTON QTY.	BAR CODE
<b>Nonmetallic Sheathed Cable Connector – Thermoplastic</b>				
4714	1/2"	100	1000	—

**THE INSIDER®**

WIRE SIZES
<b>SINGLE CABLE</b>
14-2 /with Ground
14-3 /with Ground
12-2 /with Ground
12-3 /with Ground
10-2 /with Ground
10-3 /with Ground

CONDUCTORS PER CONNECTOR
<b>TWO CABLE COMBINATIONS</b>
(2) 14-2 with Ground
(1) 14-2 with Ground & (1) 12-2 with Ground
(1) 14-2 with Ground & (1) 10-2 with Ground



**Step 1: Easy Installation -** Remove desired knockout. Insert THE INSIDER into the knockout from inside the box.



**Step 2: Done -** Ready for cable.



**Easy Removal -** Push the wing tab of the connector with a screwdriver. Push the connector through the knockout towards the inside of the box.



**Large Cable -** For two cable installations insert the cables through the connector together or one by one. Ideal for circuit breaker panel use.


**CLAMP TYPE - DIE-CAST ZINC**

**2661**

**2711**
**Clamp Type Connectors**

CATALOG #	TRADE SIZE	CABLE SIZE	UNIT CARTON QTY.	SHIP CARTON QTY.	BAR CODE
<b>Clamp Type Cable Connector – Die-Cast Zinc</b>					
2711*	1/2"	2 #14, 2#10, 3 #14 or 3 #12 - with or w/o Ground	100	1000	—
2863	3/4"	3 #12, 3 #10, 2 #8	50	500	—
2864	1"	4 #12, 3 #12, 4 #10, 3 #10, 3 #8, 2 #8, 2 #6, 2 #4	25	250	—
2661	3/8**	See Chart Below	100	1000	—

\* For 1/2" knockout

**1/2" HUB SIZE FOR MC CABLE - SELECTION CHART**

CLAMP TYPE - Part No. 2661	DIAMETER
Regular Aluminum Corrugated	.277" - .375"
Aluminum Corrugated	.365" - .510"
Aluminum Smooth	.345" - .525"
Aluminum Interlocked	.455" - .575"
Steel Interlocked	.435" - .547"

**APPLICATIONS**

- For use in dry locations to connect Nonmetallic Sheathed Cable (NMSC) to a box or enclosure

**PRODUCT FEATURES**

- Rugged metallic construction will last the lifetime of the installation

**COMPLIANCES**

- - Standard 514B  
UL Listed E195972, \*E195971 (2711)
- - C22.2 #18

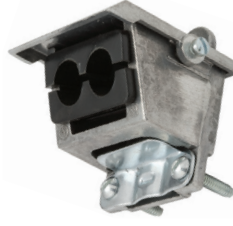




SERVICE ENTRANCE HEADS - ALUMINUM



Clamp Type for Rigid/IMC or EMT



Clamp Type for SEU Cable

**APPLICATION**

- Use to bring overhead electrical service into buildings

**PRODUCT FEATURES**

- Lightweight aluminum body construction eases installation and provides corrosion resistance
- Plastic insulator snaps out easily for quick cable insertion

**COMPLIANCE**

- - Standard 514B  
UL Listed E195972, E195973

CATALOG #	TRADE SIZE	UNIT CARTON QTY.	SHIP CARTON QTY.	BAR CODE
<b>Entrance Heads, Clamp Type for SEU Cable – Aluminum</b>				
2402	1/2"	—	10	
2403	3/4"	—	10	
2404	1"	—	5	
2405	1-1/4"	—	10	
2406	1-1/2"	—	5	
2408	2"	—	5	
2410	2-1/2"	—	1	
2412	3"	—	1	
2414	3-1/2"	—	1	
2416	4"	—	1	

CATALOG #	NOMINAL CABLE SIZES	UNIT CARTON QTY.	SHIP CARTON QTY.	BAR CODE
<b>Entrance Heads, Clamp Type for SEU Cable – Aluminum</b>				
2430	3-#8 through 3-#1 1-#6 through 1-#3	—	10	—
2440	3-#3/0 through 3-#4/0 1-#1/0 through 1-#2/0	—	10	—

SEE END OF SECTION (PG B127) FOR DETAILED DRAWINGS >>





### UNDERGROUND FEEDER (UF) CONNECTORS - ALUMINUM/NYLON/STEEL



Aluminum



Nylon



Steel

CATALOG #	TRADE SIZE	GROMMET OPENING	UF* WIRE SIZE	UNIT CARTON QTY.	SHIP CARTON QTY.	BAR CODE
<b>UF Connectors, Liquid Tight – Aluminum</b>						
4899-9	1/2"	Min. .20" x .40" Max. .25" x .55"	2#14, 2#12, 2#10	—	10	—
<b>UF Connectors, Liquid Tight – Nylon</b>						
4799-1	1/2"	Min. .20" x .40" Max. .25" x .55"	2#14, 2#12, 2#10	—	25	—
4799-3	3/4"	Min. .20" x .60" Max. .26" x .78"	3#14, 3#12, 3#10	—	15	—
<b>UF Connectors, Liquid Tight – Steel</b>						
2462	1/2"	Min. .255" Max. .425"	2#14, 2#12	25	100	—

\* Wire sizes may vary among manufacturers

#### APPLICATIONS

- For use with underground feeder (UF) cable to provide a liquidtight connection to meters and enclosures

#### PRODUCT FEATURES

- Rugged metallic construction will last the life of the installation
- Use a nylon connector when a lightweight corrosion resistant connection is required

#### COMPLIANCES

- - Standard 514B
- - C22.2 #18



## SERVICE ENTRANCE CABLE CONNECTORS - DIE-CAST ZINC


**Connectors - Liquid Tight**
**APPLICATION**

- For use with service entrance cable to provide a liquidtight connection to meters and enclosures

**PRODUCT FEATURES**

- Rugged metallic construction will last the life of the installation

**COMPLIANCE**

- - Standard 514B  
UL Listed E195972

CATALOG #	TRADE SIZE	GROMMET OPENING	UF* WIRE SIZE	UNIT CARTON QTY.	SHIP CARTON QTY.	BAR CODE
<b>Service Entrance Cable Connectors, Liquid Tight – Die-Cast Zinc</b>						
2475	1-1/4"	.57" x .85"	3#2	—	10	—
2485	1-1/4"	.51" x .85"	3#3	—	10	—
2486	1-1/2"	.74" x 1.23"	3#2/0	—	10	—
2498	2"	.83" x 1.41"	3#3/0	—	10	—
2468	2"	.89" x 1.54"	3#4/0	—	10	—

\* Wire sizes may vary among manufacturers



### NON-WATERTIGHT CONNECTORS - DIE-CAST ZINC



Connectors for Oval Cable

Connectors for Oval or Round

CATALOG #	TRADE SIZE	NOMINAL CABLE SIZE	UNIT CARTON QTY.	SHIP CARTON QTY.	BAR CODE
<b>Connectors for Oval Cable – Die-Cast Zinc</b>					
2853	3/4"	3#8, 3#6	—	25	—
2854	1"	3#6, 3#4	—	25	—
2855	1-1/4"	3#6, 3#2	—	10	—
2856	1-1/2"	3#1/0, 3#2/0, 3#1	—	10	—
2858	2"	3#3/0, 3#4/0	—	10	—
<b>Connectors for Oval or Round Cable – Die-Cast Zinc</b>					
2863	3/4"	3#10, 3#6, 2#6	50	500	—
2864	1"	3#6, 3#4	25	250	—

#### APPLICATIONS

- For use with underground feeder (UF) cable to provide a non-watertight connection to meters and enclosures

#### PRODUCT FEATURES

- Rugged metallic construction will last the life of the installation

#### COMPLIANCE

- - Standard 514B  
UL Listed E195972, E195971


**STRAPS - STEEL**

**One Hole Cable Strap**
**APPLICATION**

- For use in mounting service entrance cable

**PRODUCT FEATURES**

- All steel construction provides durable installation
- Zinc-electroplated for added corrosion protection

CATALOG #	NOMINAL CABLE SIZE	UNIT CARTON QTY.	SHIP CARTON QTY.	BAR CODE
<b>Straps – Steel</b>				
2441	3#8, 3#6	—	100	—
2442	3#4, 3#3, 3#2	—	100	—
2443	3#1, 3#1/0, 3#2/0	—	50	—
2444	3#3/0, 3#4/0	—	50	—

SEE END OF SECTION (PG B128) FOR DETAILED DRAWINGS &gt;&gt;

**GROUND CLAMPS - BRONZE ALLOY**

**For Bare Ground Wires**

**For Direct Burial in Earth or Concrete**

**For Bare Armored Ground Wires**

CATALOG #	PIPE SIZE	GROUNDING CONDUCTOR SIZE	UNIT CARTON QTY.	SHIP CARTON QTY.	BAR CODE
<b>For Bare Ground Wires – Bronze Alloy</b>					
2504	1/2" - 1"	No. 2 Str. / No. 10 Sol.	—	25	—
2505	1-1/4" - 2"	No. 2 Str. / No. 10 Sol.	—	25	—
<b>For Direct Burial in Earth or Concrete – Bronze Alloy</b>					
2506	1/2" - 1"	No. 2 Str. / No. 10 Sol.	—	25	—
<b>For Bare Armored Ground Wires – Bronze Alloy</b>					
2507	1/2" - 1"	No. 6 Str. / No. 10 Sol.	—	25	—
2508	1-1/4" - 2"	No. 6 Str. / No. 10 Sol.	—	25	—

**APPLICATIONS**

- For use with grounding wire or conduit to water pipes or ground rods

**PRODUCT FEATURES**

- Bronze cast construction assures ground path continuity and provides corrosion resistance

**COMPLIANCE**

- - Standard 514B  
UL FILE E195975

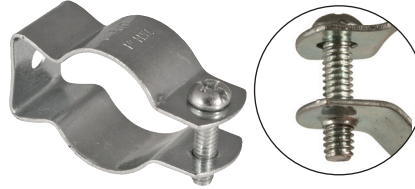

**For 1/2" and 3/4" Rigid Conduit**

CATALOG #	PIPE SIZE	GROUNDING CONDUCTOR SIZE	UNIT CARTON QTY.	SHIP CARTON QTY.	BAR CODE
<b>For 1/2" Rigid Conduit – Bronze Alloy</b>					
2512	1/2" - 1"	No. 6 Str. / No. 10 Sol.	—	25	—
2522	1-1/4" - 2"	No. 6 Str. / No. 10 Sol.	—	25	—
<b>For 3/4" Rigid Conduit – Bronze Alloy</b>					
2513	1/2" - 1"	No. 2/0 Str. / No. 10 Sol.	—	25	—

SEE END OF SECTION (PG B129) FOR DETAILED DRAWINGS &gt;&gt;




**CONDUIT SUPPORT FITTINGS**
**CONDUIT HANGERS - STEEL**

**Conduit Hangers with Bolts**

**Conduit Hangers with Threaded Holes**
**APPLICATIONS**

- For use in wet or dry locations to support runs of Rigid/IMC and EMT conduit from ceilings and walls

**PRODUCT FEATURES: HANGERS WITH BOLTS**

- Furnished with nut and bolt to speed installation
- Pregalvanized finish provides corrosion protection

**COMPLIANCES**

- - Standard 514B (trade size 0-9)
- - Canada (trade size 0-9)

**PRODUCT FEATURES: HANGERS WITH THREADED HOLE**

- Hangers are supplied with a retained bolt and threaded hole-eliminating the need for a nut
- The design allows for quick and easy installation using a screwdriver or nut driver
- Pre-galvanized finish provides corrosion protection

**COMPLIANCE**

- UL LISTED E195968

**APPLICATIONS**

- For use with hangers, bridle rings, and drop rods to support conduit from I-beams

**PRODUCT FEATURES**

- Rugged steel/malleable iron construction will last the lifetime of the installation
- Zinc-electro plated for corrosion resistance

**COMPLIANCE**

- UL FILE E195968

CATALOG #	TRADE SIZE	RIGID & IMC SIZE	EMT SIZE	SHIP CARTON QTY.	MAX. LOAD LBS.	BAR CODE
<b>Conduit Hangers with Bolts – Steel</b>						
2052	0	1/2"	1/2"	100	50	—
2053	1	3/4"	3/4"	100	50	—
2054	2	1"	1"	100	60	—
2041	2-1/2	—	1-1/4"	100	75	—
2055	3	1-1/4"	1-1/2"	100	80	—
2056	4	1-1/2"	—	100	80	—
2058	5	2"	2"	50	100	—
2057	6	2-1/2"	2-1/2"	25	125	—
2059	7	3"	3"	25	165	—
2060	8	3-1/2"	3-1/2"	10	200	—
2061	9	4"	4"	10	230	—
<b>Conduit Hangers with Threaded Hole – Steel</b>						
2052TH	0	1/2"	1/2"	100	50	—
2053TH	1	3/4"	3/4"	100	50	—
2054TH	2	1"	1"	100	60	—
2041TH	2-1/2	—	1-1/4"	100	75	—
2055TH	3	1-1/4"	1-1/2"	100	80	—
2056TH	4	1-1/2"	—	100	80	—
2058TH	5	2"	2"	50	100	—

**BEAM CLAMPS - STEEL/MALLEABLE IRON**

**Beam Clamp - Steel\***

**Beam Clamps - Malleable Iron**

CATALOG #	TRADE SIZE	INSIDE OPENING SIZE	UNIT CTN. QTY.	SHIP CARTON QTY.	MAX. LOAD LBS.	BAR CODE
<b>Beam Clamps – Steel/Malleable Iron</b>						
2500*	1"	21/32"	—	100	50	—
2524	1"	27/32"	—	100	60	—
2536	1-1/2"	15/16"	—	100	60	—
2538	2"	1-3/16"	—	100	100	—
2510	2-1/2"	1-1/4"	—	100	200	—

\* Catalog no. 2500 is steel.

SEE END OF SECTION (PG B130) FOR DETAILED DRAWINGS >>


**CONDUIT CLAMPS - GALVANIZED MALLEABLE IRON**

**Parallel Type**

**Edge Type**

**Right Angle Type**

CATALOG #	TRADE SIZE	MAX. LOAD SUPPORT @10' SPACING INTERVALS (LBS.)	UNIT CTN. QTY.	SHIP CTN. QTY.	BAR CODE
<b>Parallel Conduit Clamps – Galvanized Malleable Iron</b>					
2322PC	1/2"	50	—	50	—
2323PC	3/4"	50	—	50	—
2324PC	1"	60	—	50	—
2325PC	1-1/4"	75	—	25	—
2326PC	1-1/2"	80	—	25	—
2328PC	2"	100	—	25	—
2330PC	2-1/2"	125 - 160 @ 10' - 16'	—	25	—
2332PC	3"	165 @ 10' - 20'	—	5	—
2334PC	3-1/2"	200 - 375 @ 10' - 20'	—	5	—
2336PC	4"	230 - 470 @ 10' - 20'	—	5	—
<b>Edge Conduit Clamps – Galvanized Malleable Iron</b>					
2302EC	1/2"	50	—	25	—
2303EC	3/4"	50	—	25	—
2304EC	1"	60	—	25	—
2305EC	1-1/4"	75	—	25	—
2306EC	1-1/2"	80	—	25	—
2308EC	2"	100	—	25	—
2310EC	2-1/2"	125 - 160 @ 10' - 16'	—	25	—
2312EC	3"	165 @ 10' - 20'	—	5	—
<b>Right Angle Conduit Clamps – Galvanized Malleable Iron</b>					
2352RC	1/2"	50	—	50	—
2353RC	3/4"	50	—	50	—
2354RC	1"	60	—	50	—
2355RC	1-1/4"	75	—	25	—
2356RC	1-1/2"	80	—	25	—
2358RC	2"	100	—	25	—
2360RC	2-1/2"	125 - 160 @ 10' - 16'	—	10	—
2362RC	3"	165 @ 10' - 20'	—	5	—
2364RC	3-1/2"	200 - 375 @ 10' - 20'	—	5	—
2366RC	4"	230 - 470 @ 10' - 20'	—	5	—

**APPLICATIONS**

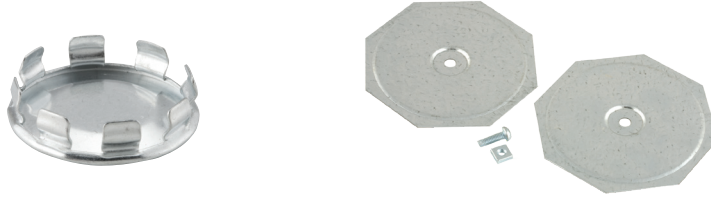
- To secure rigid metal conduit, IMC or EMT across, parallel or perpendicular to channel, beam and angle supports

**PRODUCT FEATURES**

- Three styles meet every installation need
- Heavy duty U-bolts, hex bolts and hex nuts
- Capable of supporting heavy loads
- Hot dipped galvanized malleable iron construction provides excellent weatherability and corrosion protection
- Perfect for commercial construction applications

**COMPLIANCE**

- UL LISTED E195968

**MISCELLANEOUS FITTINGS**
**KNOCKOUT SEALS - STEEL**

**Knockout Seals - One Piece**
**Knockout Seals - Two Piece\***
**APPLICATIONS**

- For use in closing off unused openings in boxes or panelboards

**PRODUCT FEATURES**

- All steel construction provides installation integrity
- Zinc-electroplated for added corrosion protection

**COMPLIANCE**

- - Standard 514B (1037 - 1041)  
UL Listed E195973

CATALOG #	TRADE SIZE	UNIT CARTON QTY.	SHIP CARTON QTY.	BAR CODE
<b>Knockout Seals, One Piece – Steel</b>				
1042	1/2"	100	1000	—
1043	3/4"	100	1000	—
1044	1"	100	400	—
1045	1-1/4"	50	200	—
1046	1-1/2"	—	50	—
1048	2"	—	25	—
<b>Knockout Seals, Two Piece – Steel</b>				
1037	2-1/2"	—	10	—
1039	3"	—	10	—
1040	3-1/2"	—	10	—
1041	4"	—	10	—

*\*Two piece seals include two discs, bolt and nut in a poly bag.*

SEE END OF SECTION (PG B131) FOR DETAILED DRAWINGS >>



### CABLE PROTECTORS - STEEL



2709



2710



2712



2713

Cable Protector Plates

PUZZLE-PLATE®

CATALOG #	CONTRACTOR PACK	PLATE LENGTH & THICKNESS	STANDARD PACKAGE	WEIGHT PER 100	BAR CODE
<b>Cable Protectors – Pre-galvanized Steel</b>					
2709	—	2-9/16" Long, .0625" Thick	100	6.8	
2709-9	Yes	2-9/16" Long, .0625" Thick	100	6.8	*
2710	—	2-9/16" Long, .0625" Thick	200	6.8	—
<b>PUZZLE-PLATE Cable Protectors – Pre-galvanized Steel</b>					
2712**	—	2-3/4" Long, .051" Thick	100	5.3	
2712-9R	Yes	2-3/4" Long, .0625" Thick	50	6.5	—
2712R	—	2-3/4" Long, .0625" Thick	100	6.5	
2713**	—	5" Long, .051" Thick	50	10.0	
2713R	—	5" Long, .0625" Thick	50	12.2	

\* Project pack sold as a UPC-A bar coded carton of 100.

\*\* Not cULus listed.

#### APPLICATIONS (NMSC)

- Protects nonmetallic sheathed cable or raceway type wires running through wood studs from accidental nail, screw, or drill penetration. Also applies to plumbing to protect nonmetallic piping

#### PRODUCT FEATURES

- Interlocking design of RACO® PUZZLE PLATE® cable protector prevents nail or screw presentation through gaps or holes
- Pre-galvanized steel construction for added corrosion protection
- No additional hardware required, just position and hammer down spurs
- Unique PUZZLE-PLATE® interlocking feature allows installer to easily increase area that requires protection
- Contractor packs or individually bar coded pieces
- Made in USA

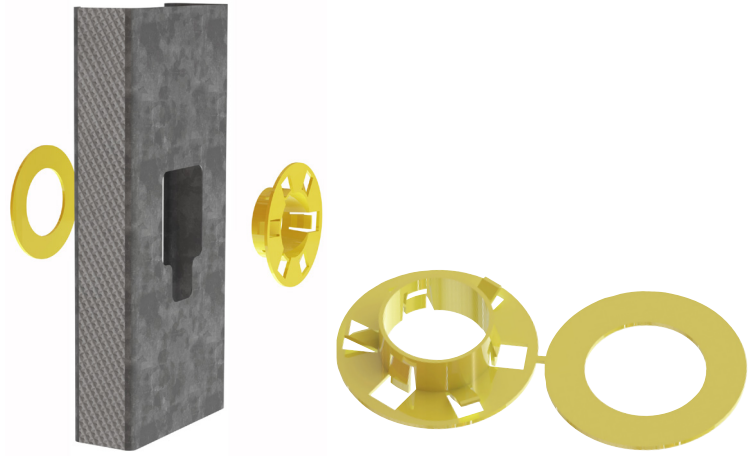
#### COMPLIANCE

- cUL<sup>us</sup> LISTED  
UL FILE E195968  
Canada Patent: 2,731,812

SEE END OF SECTION (PG B131) FOR DETAILED DRAWINGS >>

**MISCELLANEOUS FITTINGS**

UNIVERSAL METAL STUD GROMMET

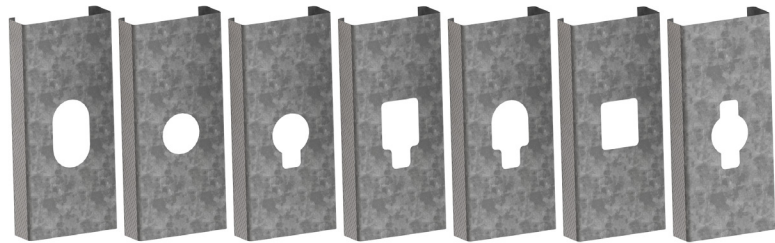


**APPLICATIONS (NMSC)**

- For use with nonmetallic cables and conduit running through metal studs.
- The grommets protect nonmetallic sheathed cables and nonmetallic tubing from damage by the sharp metal edges during pulling.

**PRODUCT FEATURES**

- Universal design fits in a standard 1" trade size hole (1-3/8" diameter), or various factory-punched stud configurations, eliminating the need to carry multiple SKU's
- Snap-in design secures quickly and safely to the metal stud opening
- Grommets prevent safety hazards and costly repairs by protecting the conductors against physical damage
- Lightweight plastic material eases installation



**Universal design fits most common hole configurations**

**COMPLIANCES**

- - LISTED
- - LISTED

CATALOG #	TRADE SIZE	UNIT CARTON QTY.	SHIP CARTON QTY.	BAR CODE
<b>Universal</b>				
1494B25	1"	—	6 bags of 25 pcs.	

**REDUCING WASHERS - STEEL**

**Reducing Washers**

CATALOG #	TRADE SIZE	DIMENSIONS		UNIT CTN. QTY.	SHIP CTN. QTY.	BAR CODE
		A	B			
<b>Reducing Washers – Steel</b>						
1365	3/4" - 1/2"	1-1/4"	7/8"	200	1000	—
1366	1" - 1/2"	1-17/32"	7/8"	100	1000	—
1367	1" - 3/4"	1-17/32"	1-3/32"	100	1000	—
1368	1-1/4" - 1/2"	1-31/32"	7/8"	—	100	—
1369	1-1/4" - 3/4"	1-31/32"	1-3/32"	—	100	—
1370	1-1/4" - 1"	1-31/32"	1-3/8"	—	100	—
1371	1-1/2" - 1/2"	2-5/32"	7/8"	—	50	—
1372	1-1/2" - 3/4"	2-5/32"	1-3/32"	—	50	—
1373	1-1/2" - 1"	2-5/32"	1-3/8"	—	50	—
1374	1-1/2" - 1-1/4"	2-5/32"	1-3/4"	—	50	—
1375	2" - 1/2"	2-11/16"	7/8"	—	50	—
1376	2" - 3/4"	2-11/16"	1-3/32"	—	50	—
1377	2" - 1"	2-11/16"	1-3/8"	—	50	—
1378	2" - 1-1/4"	2-11/16"	1-3/4"	—	50	—
1379	2" - 1-1/2"	2-11/16"	1-31/32"	—	50	—
1380	2-1/2" - 1"	3-3/16"	1-3/8"	—	50	—
1381	2-1/2" - 1-1/4"	3-3/16"	1-3/4"	—	50	—
1382	2-1/2" - 1-1/2"	3-3/16"	1-31/32"	—	50	—
1383	2-1/2" - 2"	3-3/16"	2-15/32"	—	50	—
1384	3" - 1-1/4"	3-13/16"	1-3/4"	—	25	—
1385	3" - 1-1/2"	3-13/16"	1-31/32"	—	25	—
1386	3" - 2"	3-13/16"	2-15/32"	—	25	—
1387	3" - 2-1/2"	3-13/16"	3"	—	25	—
1389	3-1/2" - 2"	4-3/8"	2-15/32"	—	10	—
1390	3-1/2" - 2-1/2"	4-3/8"	3"	—	10	—
1391	3-1/2" - 3"	4-3/8"	3-5/8"	—	10	—
1392	4" - 2"	4-29/32"	2-15/32"	—	10	—
1393	4" - 2-1/2"	4-29/32"	3"	—	10	—
1394	4" - 3"	4-29/32"	3-5/8"	—	10	—

**APPLICATIONS**

- For use when a raceway is smaller in trade size than the trade size of the knockout it is intended to enter
- Use reducing washers in pairs. One inside and one outside the box or enclosure

**PRODUCT FEATURES**

- All steel construction provides installation integrity
- Reducing washer is stamped with trade size information for ease of product identification
- Zinc-electroplated for added corrosion protection



**MISCELLANEOUS FITTINGS**
**SEALING WASHERS - STEEL**

**Sealing Washers\***
**APPLICATIONS**

- For use whenever a positive seal is required between the shoulder of a fitting and an enclosure

**PRODUCT FEATURES**

- One-piece construction assures proper installation - no need to worry about aligning multiple components
- Steel ring is zinc-electroplated for added corrosion protection
- UPC bar coded fittings are individually polybagged with a preprinted UPC-A bar code and packaged in pre-scored tear top cartons for an attractive presentation

**COMPLIANCES**

- - Standard 514B  
UL Listed E195973
- - C22.2 #18

CATALOG #	TRADE SIZE	UNIT CARTON QTY.	SHIP CARTON QTY.	BAR CODE
<b>Sealing Washers* – Steel</b>				
2452	1/2"	50	100	—
2452-8	1/2"	2 per bag	25 bags of 2	
2453	3/4"	25	50	—
2453-8	3/4"	2 per bag	20 bags of 2	
2454	1"	25	50	—
2454-8	1"	2 per bag	10 bags of 2	
2455	1-1/4"	5	25	—
2456	1-1/2"	5	25	—
2458	2"	5	25	—

*\* One-piece steel ring and neoprene gasket, raintight*

**NIPPLES - DIE CAST ZINC**

**3/4" Offset Nipples**

**Uninsulated Chase Nipples**

CATALOG #	TRADE SIZE	UNIT CARTON QTY.	SHIP CARTON QTY.	BAR CODE
<b>3/4" Offset Nipples – Die-Cast Zinc</b>				
1452	1/2"	—	50	—
1453	3/4"	—	20	—
1454	1"	—	15	—
1455	1-1/4"	—	10	—
1456	1-1/2"	—	10	—
1458	2"	—	6	—
<b>Uninsulated Chase Nipples – Die-Cast Zinc</b>				
1662	1/2"	100	1000	—
1663	3/4"	50	500	—
1664	1"	25	250	—
1665	1-1/4"	25	250	—
1666	1-1/2"	25	100	—
1668	2"	10	40	—
1670	2-1/2"	10	40	—
1672	3"	10	40	—
1674	3-1/2"	10	40	—
1676	4"	5	20	—

**APPLICATION FOR OFFSET NIPPLES**

- For use when connecting two boxes or panels when the knockouts are not in line

**PRODUCT FEATURE**

- Rugged metallic construction provides mechanical protection for the conductors

**COMPLIANCES**

- - Standard 514B  
UL LISTED E195969
- - C22.2 #18

**APPLICATION FOR UNINSULATED NIPPLES**

- For use with a conduit coupling to connect conduit to a box or, with a locknut to connect two boxes

**PRODUCT FEATURES**

- Rugged metallic construction

**COMPLIANCES**

- - Standard 514B  
UL LISTED E195969
- - C22.2 #18

## MISCELLANEOUS FITTINGS

### DUCT SEALING COMPOUND



**DS-1LB**



**DS-5LB**

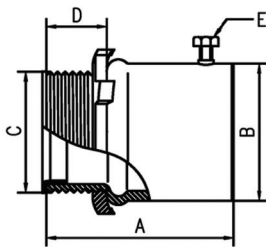
#### APPLICATIONS

- Indoor/Outdoor general use
- For use in sealing around electrical boxes, flashings, and mast service entries.
- Permanently soft and will adhere to most clean dry surfaces

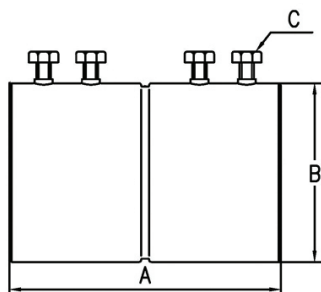
#### PRODUCT FEATURES

- Gray color
- Non-Corrosive: safe for metals and plastics
- Non-Irritant to skin
- Paintable
- Recommended temperature range: 25° to +120° F
- Temperature tolerance range: -30° to +175° F
- Will not slump at +275° F

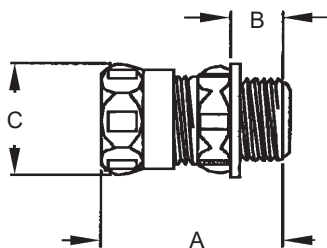
CATALOG #	TRADE SIZE	UNIT CARTON QTY.	SHIP CARTON QTY.	BAR CODE
<b>Duct Sealing Compound</b>				
DS-1LB	1 LB Brick	—	30	—
DS-5LB	5 LB Brick	—	6	—

**EMT CONNECTORS**

**Set Screw Connectors - Steel**

INSULATED CATALOG NO.	UNINSULATED CATALOG NO.	A	B WIDTH/HEIGHT	C	D	E
2122, 2122-8	2002, 2002-8	1.41"	0.85	1/2-14 NPSM	0.374"	#12-28NF
2123, 2123-8	2003, 2003-8	1.47"	1.08	3/4-14 NPSM	0.394"	#12-28NF
2124, 2124-8	2004, 2004-8	1.81"	1.30	1-11 1/2 NPSM	0.391"	#12-28NF
2125	2005	2.16"	1.67	1 1/4-11 1/2 NPSM	0.400"	1/4-28NF
2126	2006	2.34"	1.90	1 1/2-11 1/2 NPSM	0.400"	1/4-28NF
2128	2008	2.49"	2.36	2-11 1/2 NPSM	0.408"	1/4-28NF
2160	2140	3.28"	3.15	2 1/2-8 NPSM	0.654"	1/4-28NF
2162RAC	2142	3.38"	3.77	3-8 NPSM	0.654"	1/4-28NF
2164	2144	3.54"	4.27	3 1/2-8 NPSM	0.717"	1/4-28NF
2166	2146	3.54"	4.77	4-8 NPSM	0.171"	1/4-28NF

**Set Screw Couplings**


CATALOG NUMBER	A	B	C
2022, 2022-8	1.57"	0.85"	#12-28NF
2023, 2023-8	1.92"	1.08"	#12-28NF
2024, 2024-8	2.40"	1.33"	#12-28NF
2025	3.03"	1.70"	1/4-28UNS
2026	3.38"	1.93"	1/4-28UNS
2028	3.70"	2.39"	1/4-28UNS
2150	4.09"	3.14"	1/4-24UNS
2152	4.33"	3.77"	1/4-24UNS
2154	4.52"	4.28"	1/4-24UNS
2156	4.72"	4.78"	1/4-24UNS


**Compression Connectors - Steel**

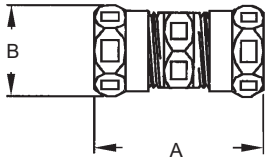
INSULATED CATALOG NUMBER	UNINSULATED CATALOG NUMBER	A	B	C
2912, 2912-8	2902, 2902-8	1.58"	0.46"	1.16"
2913, 2913-8	2903, 2903-8	1.79"	0.45"	1.38"
2914, 2914-8	2904, 2904-8	1.90"	0.56"	1.64"
2915	2905	2.10"	0.65"	2.04"
2916	2906	2.25"	0.70"	2.27"
2918	2908	2.40"	0.66"	2.74"
2960	2940	2.50"	0.81"	3.62"
2962	2942	2.62"	0.94"	4.25"
2964	2944	2.81"	1.00"	4.68"
2966	2946	2.81"	1.00"	5.18"

**Compression Connectors, Raintight**

2912RT	2902RT	1.58"	0.46"	1.16"
2913RT	2903RT	1.79"	0.45"	1.38"
2914RT	2904RT	1.90"	0.56"	1.64"
2915RT	2905RT	2.10"	0.65"	2.04"
2916RT	2906RT	2.25"	0.70"	2.27"
2918RT	2908RT	2.40"	0.66"	2.74"
2960RT	2940RT	2.50"	0.81"	3.62"
2962RT	2942RT	2.62"	0.94"	4.25"
2964RT	2944RT	2.81"	1.00"	4.68"
2966RT	2946RT	2.81"	1.00"	5.18"

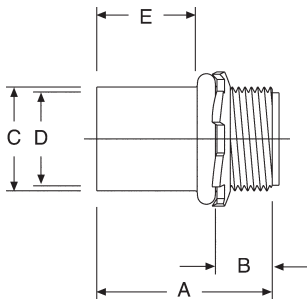
**DETAILED DRAWINGS**

**EMT CONNECTORS & COUPLINGS**



**Compression Couplings - Steel**

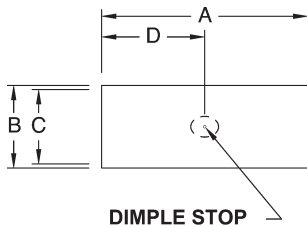
CATALOG NUMBER			A	B
2922, 2922-8	2922US	2922RT	2.00"	1.16"
2923, 2923-8	2923US	2923RT	2.15"	1.38"
2924, 2924-8	2924US	2924RT	2.32"	1.64"
2925	2925US	2925RT	2.50"	2.04"
2926	2926US	2926RT	2.78"	2.27"
2928	2928US	2928RT	2.88"	2.74"
2950	2950US	2950RT	3.87"	3.62"
2952	2952US	2952RT	4.00"	4.25"
2954	2954US	2954RT	4.68"	4.68"
2956	2956US	2956RT	4.93"	5.18"



**Indenter Connectors**

INSULATED CATALOG NUMBER	UNINSULATED CATALOG NUMBER	A	B	C	D	E
1992	1972	1-1/2"	11/32"	13/16"	23/32"	1"
1993	1973	1-35/64"	25/64"	1-1/64"	15/16"	1-1/16"

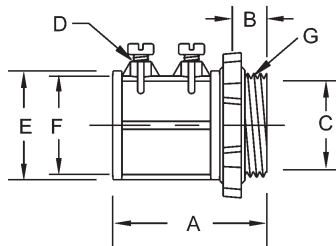
A = Overall length  
 B = Thread length  
 C = Body O.D.  
 D = Body I.D.  
 E = Length to conduit stop



**Indenter Couplings**

CATALOG NUMBER	A	B	C	D
1982	2"	3/16"	23/32"	31/32"
1983	2-1/4"	1-1/32"	15/16"	1-1/16"

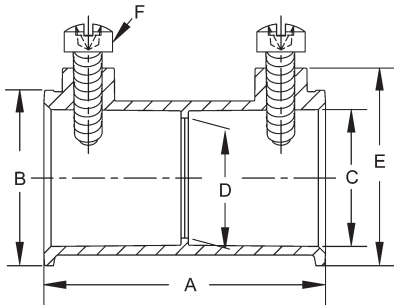
A = Overall length  
 B = O.D. of body  
 C = I.D. of body  
 D = Length to center stop



**Connectors**

INSULATED CATALOG NO.	UNINSULATED CATALOG NO.	A	B	C	D	E	F	G
2634	2602	1-5/32"	25/64"	39/64"	10-24 x 5/16"	15/16"	23/32"	1/2"-14
2635	2603	1-13/32"	15/32"	13/16"	10-24 x 5/16"	1-7/32"	15/16"	3/4"-14
2636	2604	1-35/64"	35/64"	1-1/32"	10-24 x 5/16"	1-27/64"	1-3/16"	1"-11-1/2
2637	2605	1-31/32"	5/8"	1-3/8"	12-24 x 3/8"	1-53/64"	1-35/64"	1-1/4"-11-12
2638	2606	2-13/64"	47/64"	1-19/32"	1/4-20 x 1/2"	2-3/64"	1-49/64"	1-1/2"-11-12
2639	2608	2-1/2"	3/4"	2-3/64"	1/4-20 x 1/2"	2-17/32"	2-15/64"	2"-11-12
2648	2640	3-3/32"	1-3/64"	2-33/64"	1/4-20 x 1/2"	3-19/64"	2-59/64"	2-1/2"-8
2649	2642	3-25/64"	1-1/16"	3-5/32"	1/4-20 x 1/2"	3-15/16"	3-9/16"	3"-8
2650	2644	3-9/16"	1-3/64"	3-19/32"	1/4-20 x 1/2"	4-7/16"	4-3/64"	3-1/2"-8
2651	2646	3-49/64"	1-1/8"	4-7/64"	1/4-20 x 1/2"	4-15/16"	4-37/64"	4"-8

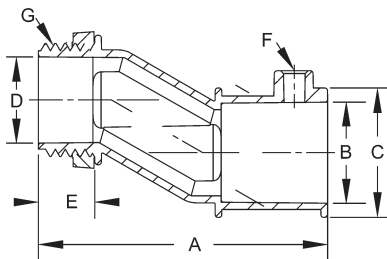
A = Overall length  
 B = Thread length  
 C = Throat I.D.  
 D = Screw size and length  
 E = Body O.D.  
 F = Body I.D.  
 G = NPSM threads

**EMT CONNECTORS & COUPLINGS - DIE CAST ZINC**

**Couplings**

CATALOG NUMBER	A	B	C	D	E	F
2622	1-1/2"	59/64"	23/32"	41/64"	1-3/64"	10-24 x 5/16"
2623	1-7/8"	1-9/64"	15/16"	55/64"	1-15/64"	10-24 x 5/16"
2624	2"	1-27/64"	1-3/16"	1-7/64"	1-17/32"	10-24 x 5/16"
2625	2-1/2"	1-53/64"	1-17/32"	1-7/16"	1-63/64"	12-24 x 3/8"
2626	2-7/8"	2-1/16"	1-49/64"	1-43/64"	2-13/64"	1/4-20 x 1/2"
2628	3-7/16"	2-35/64"	2-7/32"	2-1/8"	2-11/16"	1/4-20 x 1/2"
2670	4-1/64"	3-21/64"	2-29/32"	2-3/4"	3-11/32"	1/4-20 x 1/2"
2672	4-29/64"	3-15/16"	3-35/64"	3-27/64"	3-63/64"	1/4-20 x 1/2"
2674	4-15/16"	4-7/16"	3-35/64"	3-61/64"	4-31/64"	1/4-20 x 1/2"
2676	5-15/64"	4-15/16"	4-35/64"	4-13/32"	4-31/64"	1/4-20 x 1/2"

A = Overall length  
 B = O.D. of body  
 C = I.D. of body

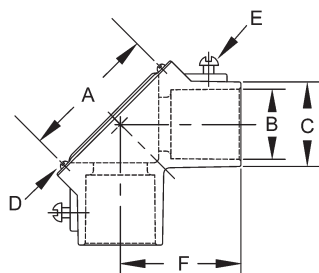
D = Center stop dia.  
 E = Height of body  
 F = Screw


**3/8" Offset Connectors**

CATALOG NUMBER	A	B	C	D	E	F	G
1763	3-1/64"	15/16"	1-1/32"	55/64"	15/32"	10-24 x 5/16"	3/4"-14

A = Overall length  
 B = I.D. of body  
 C = O.D. of body  
 D = Throat I.D.

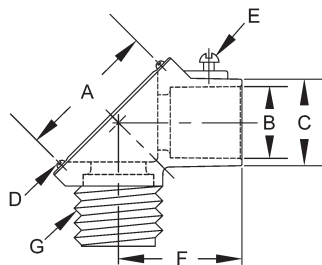
E = Thread length  
 F = Screw size and length  
 G = Thread spec.

**EMT HANDY ELLS**

**90° Handy Ells - Couplings**

CATALOG NUMBER	A	B	C	D	E	F
2752	1-1/2"	47/64"	15/16"	8-32 x 1/4"	10-32 x 5/16"	1-5/16"
2753	1-13/16"	15/16"	1-3/16"	8-32 x 1/4"	10-32 x 5/16"	1-13/32"
2754	2-51/64"	1-3/16"	1-35/64"	8-32 x 1/4"	1/4-20 x 1/2"	1-27/32"

A = Distance between cover screws  
 B = I.D. of body  
 C = O.D. of body

D = Screw size and length  
 E = Set screw size  
 F = Length


**90° Handy Ells - Connectors**

CATALOG NUMBER	A	B	C	D	E	F	G
2762	1-1/2"	47/64"	15/16"	8-32 x 1/4"	10-32 x 5/16"	1-5/16"	1/2"-14 NPSM
2763	1-13/16"	15/16"	1-3/16"	8-32 x 1/4"	10-32 x 5/16"	1-13/32"	3/4"-14 NPSM

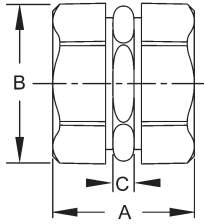
A = Distance between cover screws  
 B = I.D. of body  
 C = O.D. of body  
 D = Screw size and length

E = Set screw size  
 F = Length to end of body  
 G = Thread spec.



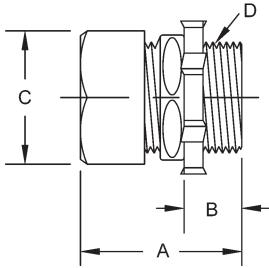
**DETAILED DRAWINGS**

**EMT COUPLINGS & CONNECTORS - DIE CAST ZINC**



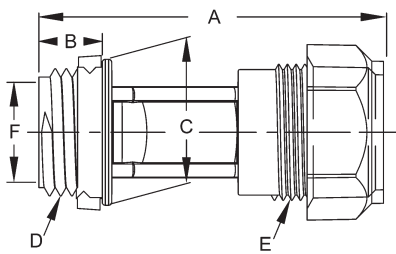
Compression Couplings			
CATALOG NUMBER	A	B	C
2822	1-45/64"	29/32"	21/64"
2823	1-25/32"	1-7/64"	7/32"
2824	1-53/64"	1-13/32"	13/32"
2825	2-1/8"	1-25/32"	3/8"
2826	2-11/32"	2"	13/32"
2828	2-15/32"	2-13/32"	3/8"
2870	3-9/32"	3-5/32"	3/8"
2872	3-11/32"	3-13/16"	3/8"
2874	3-35/64"	4-9/32"	3/8"
2876	3-21/64"	4-3/4"	3/8"

A = Overall length  
 B = Compression nut O.D. across flats  
 C = Body hex width



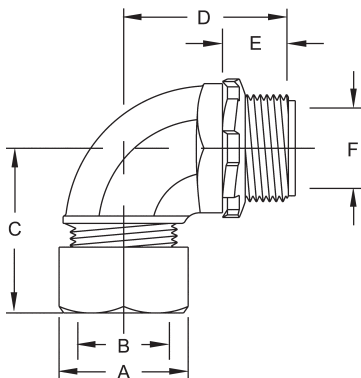
Compression Connectors					
INSULATED CATALOG NO.	UNINSULATED CATALOG NO.	A	B	C	D
2832	2802	1-11/32"	9/16"	29/32"	1/2" - 14 NPSM
2833	2803	1-3/8"	9/16"	1-3/32"	3/4" - 14 NPSM
2834	2804	1-33/64"	23/32"	1-13/32"	1" - 11-1/2 NPSM
2835	2805	1-53/64"	49/64"	1-25/32"	1-1/4" - 11-1/2 NPSM
2836	2806	1-15/16"	49/64"	2-1/8"	1-1/2" - 11-1/2 NPSM
2838	2808	2-15/64"	59/64"	2-21/32"	2" - 11-1/2 NPSM
2890	2840	2-45/64"	1-11/64"	3-5/32"	2-1/2" - 8 NPSM
2892	2842	2-49/64"	1-13/64"	3-13/16"	3" - 8 NPSM
2894	2844	2-59/64"	1-15/64"	4-1/4"	3-1/2" - 8 NPSM
2896	2846	2-59/64"	1-15/64"	4-49/64"	4" - 8 NPSM

A = Overall length  
 B = Thread length  
 C = Compression nut across flats  
 D = Threads NPSM



Compression Offset Connectors						
CATALOG NUMBER	A	B	C	D	E	F
1952	2-5/32"	13/32"	15/16"	1/2" - 14	7/8"-18-2A	5/8"
1953	2-15/16"	15/32"	1-5/32"	3/4" - 14	1-5/64" - 18-2A	25/32"

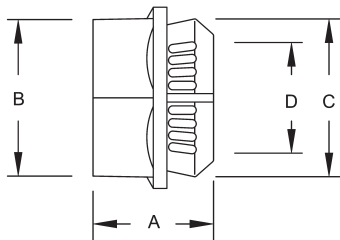
A = Overall length  
 B = Thread length  
 C = Threaded hub O.D.  
 D = Threads NPSM  
 E = Threads UNS  
 F = Throat I.D.



90° Short Angle Connectors							
CATALOG NUMBER	A	B	C	D	E	THREAD SPEC.	F
2072	1-1/8"	23/32"	1-9/32"	1-7/32"	1/2"	1/2" - 14 NPT	5/8"
2073	1-3/8"	15/32"	1-19/32"	1-15/32"	9/16"	3/4" - 14 NPT	13/16"

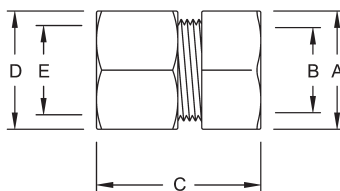
A = Compression nut O.D.  
 B = Compression nut I.D.  
 C = Length to end of nut  
 D = Length to end of thread  
 E = Thread length and thread spec.  
 F = Throat I.D.

**MALLEABLE IRON**

**EMT CONNECTORS & COMBINATION COUPLINGS**

**Two-Piece Connectors**

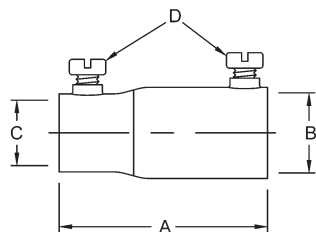
CATALOG NUMBER	A	B	C	D
2702	11/16"	1-3/64"	15/16"	39/64"
2703	13/16"	1-5/16"	1-5/32"	13/16"

A = Overall length      C = O.D. of body  
 B = O.D. of nut          D = I.D. of throat


**EMT - Rigid - Couplings Threaded/Compression**

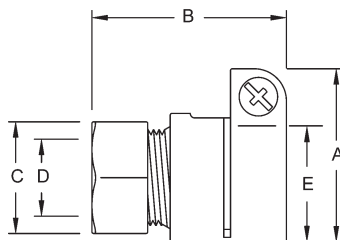
CATALOG NUMBER	A	B	C	D	E
1352	1-5/32"	3/4"	1-11/32"	1-1/8"	23/32"
1353	1-7/16"	31/32"	1-17/32"	1-3/8"	15/16"
1354	1-21/32"	1-7/32"	1-5/8"	1-43/64"	1-11/64"

A = O.D. of hub              D = Nut O.D.  
 B = Throat I.D.            E = Nut I.D.  
 C = Overall length


**EMT - Rigid Couplings Set Screw**

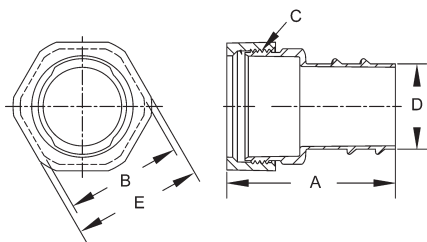
CATALOG NUMBER	A	B	C	D
1432	2-13/64"	55/64"	23/32"	1/4-28 x 3/8" Pan Head
1433	2-21/32"	1-1/16"	59/64"	1/4-28 x 3/8" Pan Head
1434	3-5/64"	1-21/64"	1-11/64"	1/4-28 x 3/8" Pan Head

A = Overall length              C = I.D. EMT side  
 B = I.D. rigid side              D = Screw spec.


**EMT - Flex Couplings Squeeze/Compression**

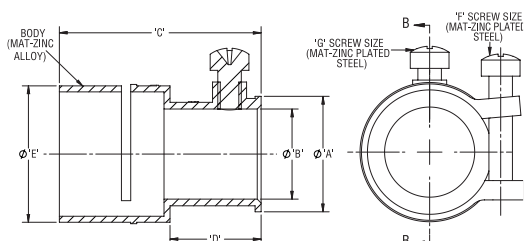
CATALOG NUMBER	A	B	C	D	E
1941	1-1/4"	1-5/16"	1-7/64"	23/32"	17/32" - 5/8"
1942, 1942-8	1-1/2"	1-3/4"	1-7/64"	23/32"	13/16" - 15/16"
1943, 1943-8	1-3/4"	1-53/64"	1-3/8"	15/16"	1-31/32" - 1-1/8"

A = Width across flex side      C = Nut O.D.                      E = Clamping range (flex side)  
 B = Overall length              D = Nut I.D.


**EMT - Rigid - Couplings Threaded/Compression**

CATALOG NUMBER	A	B	C THREAD SPEC.	D	E
1482	1-21/32"	59/64"	7/8"-18 UNS	5/8"	31/32"
1483	1-51/64"	1-1/8"	1-5/64"-18 UNS	13/16"	1-7/32"
1484	1-63/64"	1-23/64"	1-23/64"-18 UNS	1"	1-33/64"

A = Overall length              C = Thread spec.              E = Nut across flat  
 B = Body across flat          D = Flex end O.D.

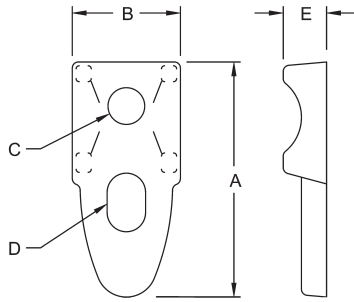

**Combination Couplings**

CATALOG NUMBER	A	B	C	D	E
1852	0.933"	0.728"	1.63"	0.736"	1.102"
1853	1.157"	0.945"	1.961"	0.803"	1.303"

A = Overall length              C = Thread spec.              E = Nut across flat  
 B = Body across flat          D = Flex end O.D.

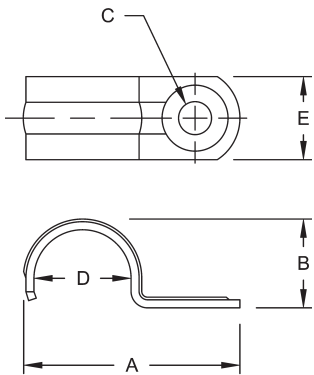
**DETAILED DRAWINGS**

**EMT CLAMPBACKS & STRAPS**



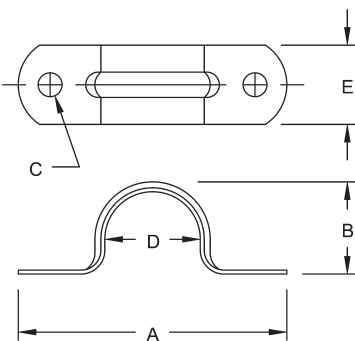
Clampbacks					
CATALOG NUMBER	A	B	C	D	E
1342	2-19/64"	1-1/32"	23/64"	3/8" x 9/16"	27/64"
1343	2-7/16"	1-11/64"	29/64"	27/64" x 21/32"	29/64"
1344	3-1/64"	1-17/64"	3/8"	33/64" x 23/32"	17/32"
1345	3-17/32"	1-19/32"	19/32"	1/2" x 47/64"	35/64"
1346	3-29/32"	1-39/64"	9/16"	9/16" x 15/16"	1/2"
1348	4-27/32"	1-63/64"	9/16"	37/64" x 25/32"	59/64"
1347	5-3/4"	2-13/32"	37/64"	39/64" x 1-1/4"	53/64"
1349	6-47/64"	2-5/8"	33/64"	19/32" x 1-15/64"	27/32"
1350	7-21/32"	3-17/64"	19/32"	43/64" x 1-7/64"	61/64"
1351	8-5/64"	3-7/16"	33/64"	7/8" x 1-19/64"	1-1/32"

A = Overall length  
 B = Width  
 C = Hole diameter  
 D = Slot size  
 E = Height



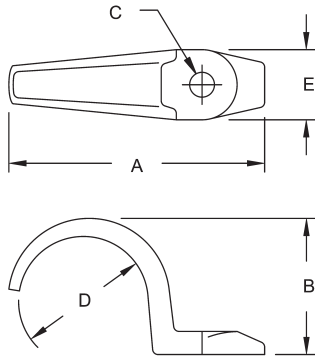
One Hole Push-on Straps					
CATALOG NUMBER	A	B	C	D	E
2082	1-5/8"	49/64"	1/4"	23/32"	5/8"
2083	2-3/16"	1"	9/32"	59/64"	5/8"
2084	2-9/16"	1-9/32"	9/32"	1-11/64"	3/4"
2085	3-1/8"	1-41/64"	9/32"	1-17/32"	7/8"
2086	3-5/8"	1-57/64"	11/32"	1-3/4"	1"
2088	4-7/16"	2-25/64"	11/32"	2-3/16"	1-1/8"
1337	5-5/16"	3-1/16"	21/32"	2-7/8"	1-1/4"
1339	6-1/16"	3-11/16"	21/32"	3-1/2"	1-1/4"
1340	6-7/8"	4-1/4"	21/32"	4"	1-1/4"
1341	7-3/8"	4-3/4"	21/32"	4-1/2"	1-1/4"

A = Overall length  
 B = Height  
 C = Hole size  
 D = Diameter  
 E = Width of strap



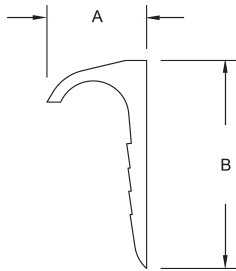
Two Hole Stamped Straps					
CATALOG NUMBER	A	B	C	D	E
2092	2.140"	.750"	.187"	.706"	.625"
2093	2.288"	1.015"	.187"	.922"	.625"
2094	2.750"	1.235"	.250"	1.163"	.750"
2095	3.520"	1.540"	.250"	1.510"	.750"
2096	3.770"	1.785"	.250"	1.740"	.750"
2098	4.453"	2.270"	.250"	2.147"	.750"
2239	5.720"	3.050"	.312"	2.875"	1.000"
2240	6.578"	3.670"	.312"	3.500"	1.000"
2241	7.156"	3.975"	.312"	4.000"	1.000"
2242	7.718"	4.700"	.312"	4.500"	1.000"

A = Overall length  
 B = Height  
 C = Hole size  
 D = Diameter  
 E = Width of strap

**EMT CLAMPBACKS & STRAPS**

**One Hole Straps**

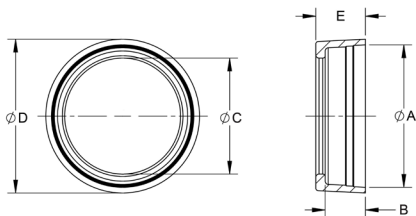
CATALOG NUMBER	A	B	C	D	E
1310	5-3/8"	3-1/32"	35/64"	2-7/8"	1-5/16"
1312	6-39/64"	3-25/32"	9/16"	3-1/2"	1-31/64"
1314	7-7/8"	4-13/32"	45/64"	4"	2"
1316	8-15/64"	4-27/32"	3/4"	4-1/2"	2"

A = Overall length  
 B = Height  
 C = Hole size  
 D = Diameter  
 E = Width of strap

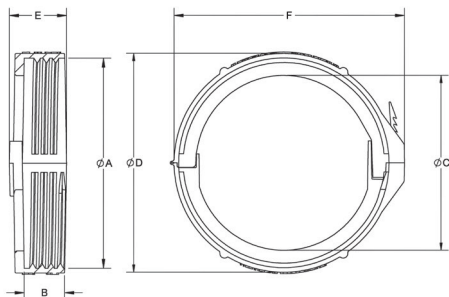
**NAIL-UP STRAPS**

**Nail-up Straps Stamped**

CATALOG NUMBER	A	B
2252	1-1/16"	2-3/16"
2253	1-1/4"	2-19/64"
2254	1-1/2"	2-13/32"

A = Width  
 B = Height

**EMT INSULATING BUSHINGS**

**Insulating Bushings**

CATALOG NUMBER	A	B	C	D	E
2172RAC	0.72	0.41	0.56	0.84	0.54
2173RAC	0.93	0.40	0.74	1.05	0.53
2174RAC	1.18	0.50	0.96	1.30	0.64
2175RAC	1.53	0.50	1.24	1.65	0.63
2176RAC	1.77	0.49	1.44	1.91	0.62
2178RAC	2.22	0.50	1.90	2.38	0.63
2180RAC	2.93	1.11	2.24	3.05	1.23
2182RAC	3.54	1.11	3.57	3.70	1.23
2184RAC	4.04	1.11	4.07	4.21	1.24
2186RAC	4.54	1.09	4.56	4.80	1.23

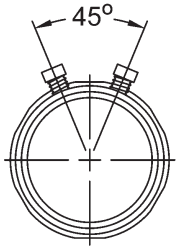

**Universal Split Insulating Bushings – Polypropylene**

CATALOG NUMBER	A	B	C	D	E	F
1410USP	2.88	0.55	2.50	3.00	0.78	3.25
1412USP	3.50	0.80	3.00	3.50	1.05	3.75
1414USP	4.00	0.80	3.50	4.00	1.05	4.25
1416USP	4.50	0.80	4.00	4.50	1.05	4.75

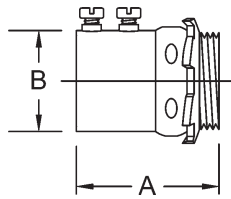
A = Thread I.D.  
 B = Inner thread depth  
 C = Throat I.D.  
 D = Diameter  
 E = Length  
 F = Max. width

## DETAILED DRAWINGS

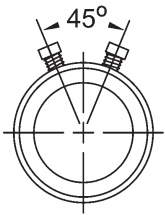
### RIGID AND IMC CONNECTORS & COUPLINGS



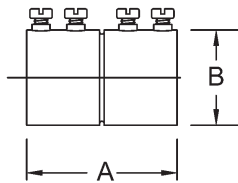
2" size



1-1/2" or smaller  
single set screw



2-1/2" - 4" sizes  
2 Set Screws  
45° Both Ends



1" or smaller  
1 - Screw Both Ends

#### Set Screw Connectors

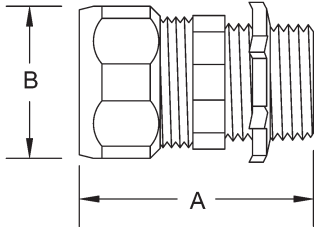
CATALOG NUMBER	A	B	THREAD SPEC.
3002	1-1/8"	1-1/8"	1/2"-14 NPS
3003	1-1/4"	1-3/8"	3/4"-14 NPS
3004	1-1/2"	1-5/8"	1"-11-1/2 NPS
3005	1-3/4"	2"	1-1/4"-11-1/2 NPS
3006	1-7/8"	2-1/4"	1-1/2"-11-1/2 NPS
3008	2"	2-3/4"	2"-11-1/2 NPS

#### Set Screw Couplings

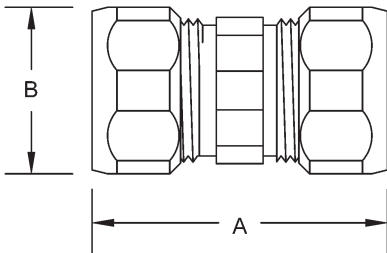
CATALOG NUMBER	A	B
3022	1-1/2"	1-1/8"
3023	1-1/2"	1-3/8"
3024	1-7/8"	1-5/8"
3025	1-3/16"	2"
3026	2-5/8"	2-1/4"
3028	2-3/4"	2-3/4"

A = Overall length  
B = Body O.D.

**RIGID COMPRESSION CONNECTORS**



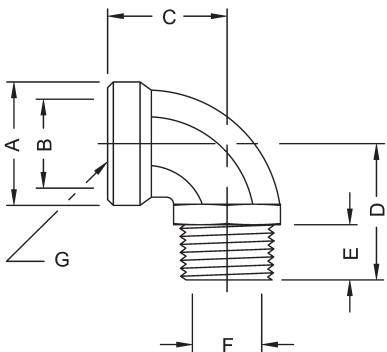
Connectors				
INSULATED CAT. NUMBER	UNINSULATED CAT. NUMBER	A	B	THREAD SPEC.
3802RAC	1802	1-11/32"	1-11/64"	1/2"-14 NPS
3803RAC	1803	1-31/64"	1-7/16"	3/4"-14 NPS
3804RAC	1804	1-37/64"	1-3/4"	1"-11-1/2 NPS
3805RAC	1805	1-55/64"	2-5/32"	1-1/4"-11-1/2 NPS
3806RAC	1806	1-15/16"	2-3/8"	1-1/2"-11-1/2 NPS
3808RAC	1808	2-7/32"	2-7/8"	2"-11-1/2 NPS
—	1810	4"	4-9/64"	2-1/2"- 8 NPS
—	1812	4-5/16"	4-23/32"	3"- 8 NPS
—	1814	4-3/8"	5-3/8"	3-1/2"- 8 NPS
—	1816	4-1/2"	5-29/32"	4"- 8 NPS



Couplings		
CATALOG NUMBER	A	B
1822	1-3/4"	1-3/16"
1823	1-13/16"	1-7/16"
1824	1-61/64"	1-3/4"
1825	2-21/32"	2-5/32"
1826	2-45/64"	2-3/8"
1828	2-15/16"	3-3/8"
1830	5-3/4"	3-15/16"
1832	5-3/4"	4-21/32"
1834	6"	5-13/64"
1836	6-13/16"	5-3/4"

A = Overall length  
B = Compression nut O.D.

**RIGID SHORT ELBOWS**



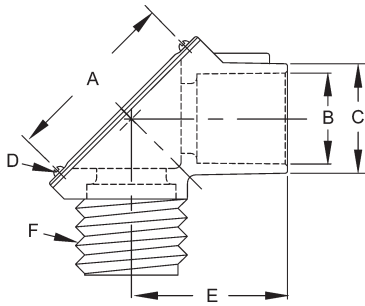
90° Short Elbows							
CATALOG NUMBER	A	B	C	D	E	F	G THREAD SPEC.
1722	1-5/64"	3/4"	1-1/16"	1-17/32"	1/2"	39/64"	1/2"-14 NPS
1723	1-9/32"	61/64"	1-9/32"	1-15/32"	9/16"	13/16"	3/4"-14 NPS

A = Hub O.D.  
B = Hub I.D.  
C = Length to end of hub  
D = Length to end of thread  
E = Thread length  
F = Throat I.D.  
G = Thread spec



**DETAILED DRAWINGS**

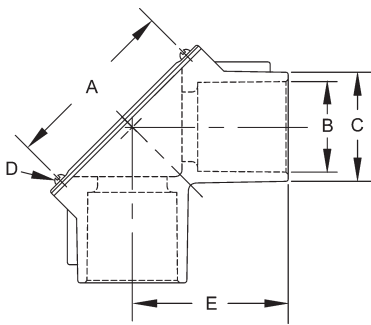
**RIGID HANDY ELLS**



**90° Handy Ells Threaded - Connectors**

CATALOG NUMBER	A	B	C	D	E	F
2662	1-1/2"	1/2"-14 NPSM	1"	8 - 32 x 1/4"	1-5/16"	1/2"-14 NPSM
2663	1-13/16"	3/4"-14 NPSM	1-15/64"	8 - 32 x 1/4"	1-13/32"	3/4"-14 NPSM
2664RAC	2-51/64"	1"-11-1/2 NPSM	1-35/64"	8 - 32 x 1/4"	1-27/32"	1"-11-1/2 NPSM

A = Distance between cover screws  
 B = Threaded hub end  
 C = Body O.D.  
 D = Screw size and length  
 E = Length to end of body  
 F = Threaded hub

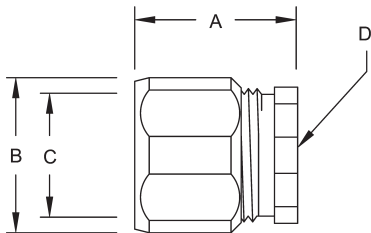


**90° Handy Ells Threaded - Couplings**

CATALOG NUMBER	A	B	C	D	E
2652	1-1/2"	1/2"-14 NPSM	1"	8 - 32 x 1/4"	1-5/16"
2653	1-13/16"	3/4"-14 NPSM	1-15/64"	8 - 32 x 1/4"	1-13/32"
2654	2-51/64"	1"-11-1/2 NPSM	1-35/64"	8 - 32 x 1/4"	1-27/32"
2655	2-27/32"	1-1/4"-11-1/2 NPSM	1-59/64"	8 - 32 x 1/4"	2-1/64"

A = Distance between cover screws  
 B = Threaded hub  
 C = Body O.D.  
 D = Screw size and length  
 E = Length to end of body

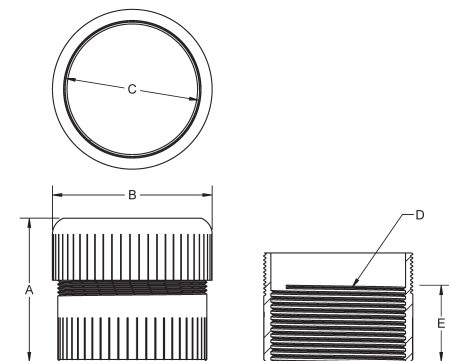
**RIGID THREE-PIECE COUPLINGS**



**Three-Piece Couplings**

CATALOG NUMBER	A	B	C	D THREAD SPEC.
1502	1-3/32"	1-7/32"	49/64"	1/2"-14 NPT
1503	1-1/8"	1-7/16"	31/32"	3/4"-14 NPT
1504	1-3/8"	1-3/4"	1-7/32"	1"-11-1/2 NPT
1505	1-11/16"	2-5/32"	1-9/16"	1-1/4"-11-1/2 NPT
1506	2-17/64"	2-3/4"	1-13/16"	1-1/2"-11-1/2 NPT
1508	2-13/32"	3-3/8"	2-9/32"	2"-11-1/2 NPT
1510	3-1/8"	4-1/16"	2-3/4"	2-1/2" - 8 NPT
1512	3-3/8"	4-17/32"	3-3/8"	3" - 8 NPT
1514	3-43/64"	5-3/16"	3-7/8"	3-1/2" - 8 NPT
1516	3-15/32"	5-3/4"	4-3/8"	4" - 8 NPT
1520	4-3/32"	6-3/4"	5-7/16"	5" - 8 NPT
1524	4-17/64"	8-1/16"	6-1/2"	6" - 8 NPT

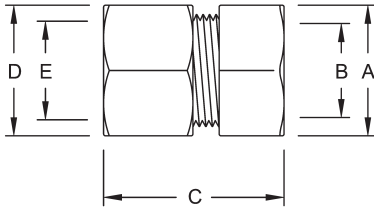
A = Overall length  
 B = O.D. body  
 C = I.D. body  
 D = Thread size



**Three-Piece Super Couplings**

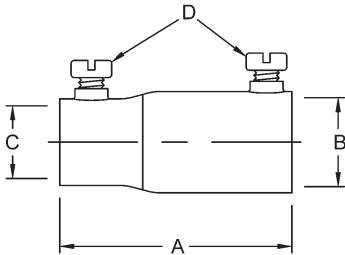
CATALOG NUMBER	A	B	C	D	E
1530RAC	3-1/8"	3-7/16"	2-15/16"	2-1/2 - 8 NPT	1-5/8"
1532RAC	3-5/16"	4-1/16"	3-1/2"	3 - 8 NPT	1-3/4"
1534RAC	3-1/2"	4-9/16"	4-1/16"	3-1/2 - 8 NPT	1-3/4"
1536RAC	3-9/16"	5-1/8"	4-1/2"	4 - 8 NPT	1-3/4"

A = Overall length  
 B = O.D. body  
 C = I.D. body  
 D = Thread Spec. Internal  
 E = Thread Length Internal

**RIGID COMBINATION COUPLINGS**


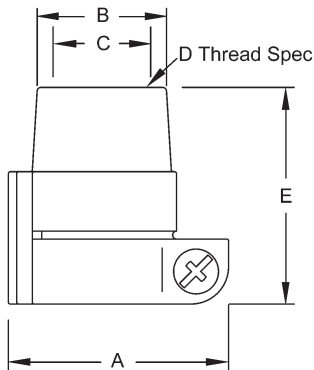
<b>Rigid - EMT Couplings Threaded/Compression</b>					
CATALOG NUMBER	A	B	C	D	E
1352	1-5/32"	3/4"	1-7/16"	1-1/8"	23/32"
1353	1-3/8"	31/32"	1-17/32"	1-3/8"	15/16"
1354	1-21/32"	1-7/32"	1-5/8"	1-43/64"	1-11/64"

A = Nut O.D.  
 B = Nut I.D.  
 C = Overall length  
 D = O.D. of Hub  
 E = Throat I.D.



<b>Rigid - EMT Couplings Set Screw</b>				
CATALOG NUMBER	A	B	C	D THREAD SPEC.
1432	2-13/64"	55/64"	23/32"	1/4-28 x 3/8" Pan Head
1433	2-21/32"	1-1/16"	59/64"	1/4-28 x 3/8" Pan Head
1434	3-1/16"	1-21/64"	1-11/64"	1/4-28 x 3/8" Pan Head

A = Overall length  
 B = I.D. rigid side  
 C = I.D. EMT side  
 D = Screw spec

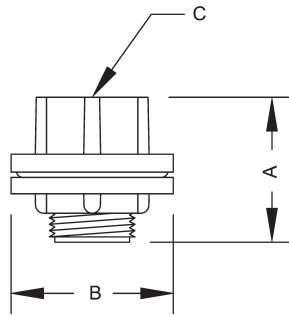


<b>Rigid - Flex Couplings</b>					
CATALOG NUMBER	A	B	C	D THREAD SPEC.	E
1552	1-43/64"	1-13/64"	3/4"	1/2"-14 NPT	1-1/2"
1553	1-7/8"	1-23/64"	31/32"	3/4"-14 NPT	1-3/4"
1554	2-5/16"	1-21/32"	1-7/32"	1"-11-1/2 NPT	1-53/64"

A = Width across flex side  
 B = Hub O.D.  
 C = Hub I.D.  
 D = Thread spec hub  
 E = Overall length

**DETAILED DRAWINGS**

**RIGID THREADED HUBS**

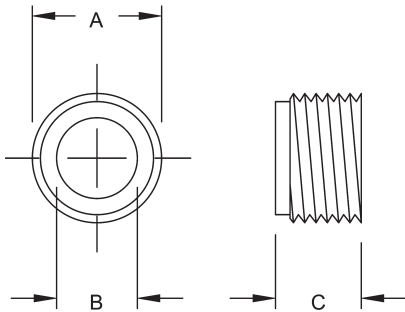


**Threaded Hubs Insulated Throat**

CATALOG NUMBER	A	B	C
1702	1.500"	1.437"	1/2"-14 NPT
1703	1.510"	1.685"	3/4"-14 NPT
1704	1.812"	1.921"	1"-11-1/2 NPT
1705	1.877"	2.370"	1-1/4"-11-1/2 NPT
1706	1.920"	2.745"	1-1/2"-11-1/2 NPT
1708	1.895"	3.236"	2"-11-1/2 NPT
1710	2.605"	3.708"	2-1/2"-8 NPT
1712	2.615"	4.370"	3"-8 NPT
1714	2.570"	4.941"	3-1/2"-8 NPT
1716	2.590"	5.450"	4"-8 NPT

A = Overall length  
 B = O.D.  
 C = Thread size

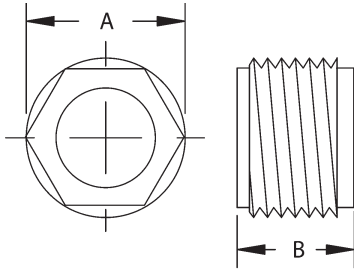
**RIGID REDUCING BUSHINGS**



**Reducing Bushings**

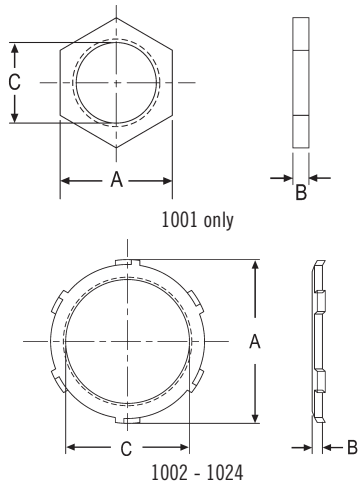
CATALOG NUMBER	A	THREAD SPEC.	B	THREAD SPEC.	C
1141	13/16"	1/2"-14 NPS	1/2"	3/8"-18 NPS	17/32"
1142	1-1/64"	3/4"-14 NPS	39/64"	1/2"-14 NPS	9/16"
1143	1-9/32"	1"-11-1/2 NPS	39/64"	1/2"-14 NPS	5/8"
1144	1-9/32"	1"-11-1/2 NPS	13/16"	3/4"-14 NPS	5/8"
1145	1-5/8"	1-1/4"-11-1/2 NPS	39/64"	1/2"-14 NPS	11/16"
1146	1-5/8"	1-1/4"-11-1/2 NPS	13/16"	3/4"-14 NPS	11/16"
1147	1-5/8"	1-1/4"-11-1/2 NPS	1-3/64"	1"-11-1/2 NPS	11/16"
1148	1-7/8"	1-1/2"-11-1/2 NPS	39/64"	1/2"-14 NPS	23/32"
1149	1-7/8"	1-1/2"-11-1/2 NPS	13/16"	3/4"-14 NPS	23/32"
1150	1-7/8"	1-1/2"-11-1/2 NPS	1-3/64"	1"-11-1/2 NPS	23/32"
1151	1-7/8"	1-1/2"-11-1/2 NPS	1-11/32"	1-1/4"-11-1/2 NPS	23/32"
1152	2-21/64"	2"-11-1/2 NPS	39/64"	1/2"-14 NPS	27/32"
1153	2-21/64"	2"-11-1/2 NPS	1-13/16"	3/4"-14 NPS	27/32"
1154	2-21/64"	2"-11-1/2 NPS	1-3/64"	1"-11-1/2 NPS	27/32"
1155	2-21/64"	2"-11-1/2 NPS	1-11/32"	1-1/4"-11-1/2 NPS	27/32"
1156	2-21/64"	2"-11-1/2 NPS	1-19/32"	1-1/2"-11-1/2 NPS	27/32"

A = O.D./thread size  
 B = Throat I.D./thread size  
 C = Thickness

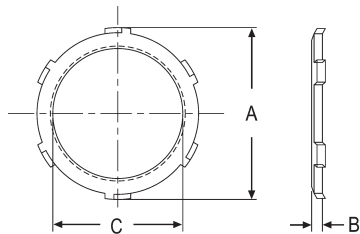
**RIGID REDUCING BUSHINGS**


Reducing Bushings				
CATALOG NUMBER	A	THREAD SPEC.	B	THREAD SPEC.
1160	2-7/8"	2-1/2" - 8 NPT	1-5/16"	1-1/4"-11-1/2 NPT
1161	2-7/8"	2-1/2" - 8 NPT	1-5/16"	1-1/2"-11-1/2 NPT
1162	2-7/8"	2-1/2" - 8 NPT	1-5/16"	2"-11-1/2 NPT
1168	3-7/16"	3" - 8 NPT	1-5/16"	2"-11-1/2 NPT
1169	3-7/16"	3" - 8 NPT	1-9/16"	2-1/2" - 8 NPT
1175	4"	3-1/2" - 8 NPT	1-1/2"	2"-11-1/2 NPT
1176	4"	3-1/2" - 8 NPT	1-9/16"	2-1/2" - 8 NPT
1177	4"	3-1/2" - 8 NPT	1-5/8"	3" - 8 NPT
1185	4-7/16"	4" - 8 NPT	1-9/16"	3" - 8 NPT
1186	4-7/16"	4" - 8 NPT	1-3/4"	3-1/2" - 8 NPT

A = O.D./thread size  
B = Thickness

**RIGID LOCKNUTS**


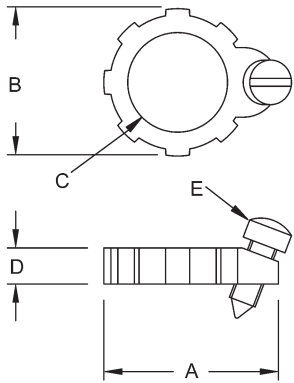
Locknuts			
CATALOG NUMBER	A	B	C
1001	0.850"	0.125"	3/8" NPSL - 18
1002	1.130"	0.125"	1/2" - 14
1003	1.390"	0.125"	3/4" - 14
1004	1.705"	0.170"	1" - 11.5
1005	2.065"	0.170"	1-1/4" - 11.5
1006	2.360"	0.170"	1-1/2" - 11.5
1008	2.860"	0.170"	2" - 11.5
1010	3.430"	0.170"	2-1/2" - 8
1012	4.110"	0.170"	3" - 8
1014	4.690"	0.170"	3-1/2" - 8
1016	5.265"	0.170"	4" - 8
1020	6.530"	0.314"	5" - 8
1024	7.850"	0.314"	6" - 8



Non-UL Locknuts			
CATALOG NUMBER	A	B	C
1192	1.13"	0.098"	1/2" - 14
1193	1.39"	0.098"	3/4" - 14
1194	1.70"	0.125"	1" - 11.5
1195	2.06"	0.125"	1-1/4" - 11.5
1196	2.36"	0.125"	1-1/2" - 11.5
1198	2.86"	0.125"	2" - 11.5
1197	3.43"	0.170"	2-1/2" - 8
1199	4.11"	0.170"	3" - 8
1200	4.69"	0.170"	3-1/2" - 8
1201	5.26"	0.170"	4" - 8
1219	6.53"	0.314"	5" - 8
1220	7.85"	0.314"	6" - 8

**DETAILED DRAWINGS**

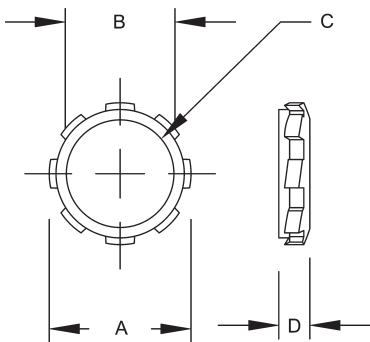
**RIGID LOCKNUTS**



**Bonding Locknuts**

CATALOG NUMBER	A	B	C THREAD SPEC.	D	E
1242	1.35"	1.04"	1/2"-14 NPT	.20"	6-32 x 1/2"
1243	1.58"	1.29"	3/4"-14 NPT	.20"	6-32 x 1/2"
1244	1.88"	1.59"	1"-11-1/2 NPT	.22"	6-32 x 1/2"
1245	2.30"	1.95"	1-1/4"-11-1/2 NPT	.23"	8-24 x 1/2"
1246	2.60"	2.23"	1-1/2"-11-1/2 NPT	.23"	8-24 x 1/2"
1248	3.09"	2.73"	2"-11-1/2 NPT	.26"	8-24 x 1/2"
1250	3.52"	3.31"	2-1/2"- 8 NPT	.45"	8-24 x 31/32"
1252	4.19"	4.00"	3"- 8 NPT	.45"	8-24 x 31/32"
1254	4.74"	4.52"	3-1/2"- 8 NPT	.45"	8-24 x 31/32"
1256	5.39"	5.05"	4"- 8 NPT	.45"	8-24 x 31/32"

A = Overall length  
 B = O.D.  
 C = Thread size  
 D = Thickness  
 E = Screw spec

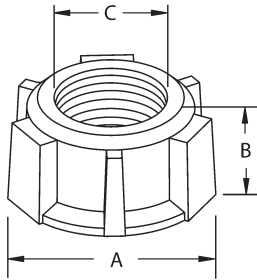


**Sealing Locknuts**

CATALOG NUMBER	A	B	C THREAD SPEC.	D
1202	1-9/64"	25/32"	1/2"-14 NPT	7/32"
1203	1-25/64"	63/64"	3/4"-14 NPT	15/64"
1204	1-23/32"	1-17/64"	1"-11-1/2 NPT	1/4"
1205	2-5/64"	1-37/64"	1-1/4"-11-1/2 NPT	9/32"
1206	2-3/8"	1-13/16"	1-1/2"-11-1/2 NPT	19/64"
1208	2-29/32"	2-5/16"	2"-11-1/2 NPT	19/64"
1207	3-15/32"	2-51/64"	2-1/2"- 8 NPT	5/16"
1209	4-3/16"	3-27/64"	3"- 8 NPT	3/8"
1210	4-11/16"	3-15/16"	3-1/2"- 8 NPT	3/8"
1211	5-9/32"	4-13/32"	4"- 8 NPT	3/8"

A = O.D.  
 B = I.D.  
 C = Thread size  
 D = Thickness

### RIGID BUSHINGS

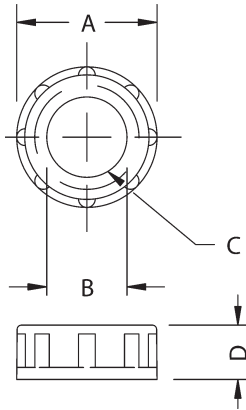


Bushings			
CATALOG NUMBER	A	B	C THROAT DIA.
1102RAC	1-5/32"	9/16"	5/8"
1103	1-13/32"	9-16"	53/64"
1104	1-3/4"	21/32"	1-1/32"
1105	2-1/8"	21/32"	1"
1106	2-11/32"	23/32"	1-39/64"
1108	2-23/32"	23/32"	2-3/64"
1110	3-9/32"	15/16"	2-29/64"
1112	3-7/8"	15/16"	3-3/64"
1114	4-13/32"	15/16"	3-17/32"
1116	4-29/32"	15/16"	4-1/16"

A = O.D.

B = Thickness

C = I.D.



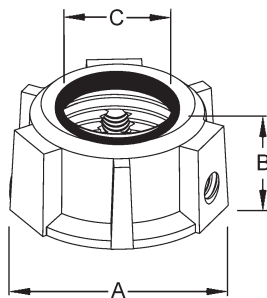
Insulating Bushings				
CATALOG NUMBER	A	B	C THREAD SPEC.	D
1402	1-1/16"	19/32"	1/2"-14 NPT	23/64"
1403	1-19/64"	25/32"	3/4"-14 NPT	13/32"
1404	1-5/8"	1"	1"-11-1/2 NPT	31/64"
1405	1-61/64"	1-9/64"	1-1/4"-11-1/2 NPT	31/64"
1406	2-3/16"	1-33/64"	1-1/2"-11-1/2 NPT	31/64"
1408	2-41/64"	1-61/64"	2"-11-1/2 NPT	35/64"
1410	3-1/4"	2-21/64"	2-1/2"- 8 NPT	5/8"
1412	3-29/32"	2-29/32"	3"- 8 NPT	11/16"
1414	4-13/32"	3-11/32"	3-1/2"- 8 NPT	11/16"
1416	4-15/16"	3-53/64"	4"- 8 NPT	11/16"
1420	5-63/64"	4-15/16"	5"- 8 NPT	49/64"
1424	7-1/16"	5-15/16"	6"- 8 NPT	49/64"

A = O.D.

B = I.D.

C = Thread size

D = Thickness



Insulated Bushings			
CATALOG NUMBER	A	B	C THROAT DIA.
1132	1-5/32"	9/16"	37/64"
1133	1-13/32"	9/16"	49/64"
1134	1-3/4"	21/32"	31/32"
1135	2-1/8"	21/32"	1-9/32"
1136	2-11/32"	23/32"	1-1/2"
1138	2-23/32"	23/32"	1-61/64"
1126	3-9/32"	15/16"	2-19/64"
1127	3-7/8"	15/16"	2-29/32"
1128	4-13/32"	15/16"	3-3/8"
1129	4-29/32"	15/16"	3-55/64"

A = O.D.

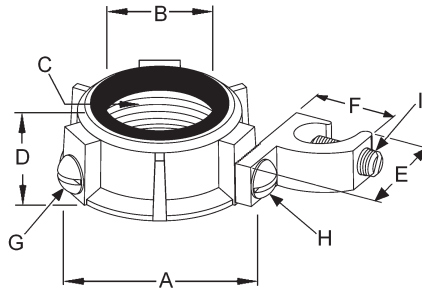
B = Thickness

C = I.D.



**DETAILED DRAWINGS**

**RIGID INSULATED GROUNDING BUSHINGS**



**150 Degree Insulated Grounding Bushings - Lay-in Lug**

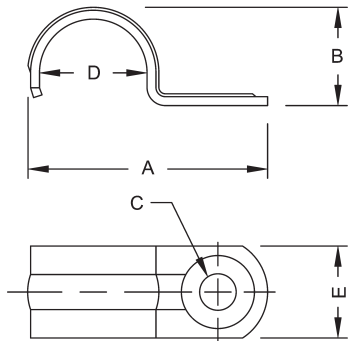
CATALOG NUMBER	A	B	C	D	E	F	G SET SCREW	H PAN HEAD SCREW	I SET SCREW
1212	1-5/32"	9/16"	1/2"-14 NPS	37/64"	1-1/16"	3/8"	10-32 x 1/4"	10-32 x 1/4"	14-28 x 5/8"
1213	1-13/32"	9/16"	3/4"-14 NPS	3/4"	1-1/16"	3/8"	10-32 x 1/4"	10-32 x 1/4"	14-28 x 5/8"
1214	1-3/4"	21/32"	1"-11-1/2 NPS	31/32"	1-1/16"	3/8"	10-32 x 1/4"	10-32 x 1/4"	14-28 x 5/8"
1215	2-1/8"	21/32"	1-1/4"-11-1/2 NPS	1-9/32"	1-1/16"	3/8"	10-32 x 1/4"	10-32 x 1/4"	14-28 x 5/8"
1216	2-11/32"	23/32"	1-1/2"-11-1/2 NPS	1-1/2"	1-1/16"	3/8"	10-32 x 1/4"	10-32 x 1/4"	14-28 x 5/8"
1218	2-23/32"	23/32"	2"-11-1/2 NPS	1-61/64"	1-1/16"	3/8"	10-32 x 1/4"	10-32 x 1/4"	14-28 x 5/8"
1290	3-9/32"	15/16"	2-1/2"- 8 NPS	2-19/64"	1-1/2"	19/32"	10-32 x 5/16"	1/4-20 x 3/8"	3/8-24 x 7/8"
1292RAC	3-7/8"	15/16"	3"- 8 NPS	2-29/32"	1-1/2"	19/32"	10-32 x 5/16"	1/4-20 x 3/8"	3/8-24 x 7/8"
1294	4-13/32"	15/16"	3-1/2"- 8 NPS	3-3/8"	2-13/64"	51/64"	5/16-24 x 3/8"	5/16-24 x 17/32"	9/16-18 x 1-1/4"
1296	4-29/32"	15/16"	4"- 8 NPS	3-55/64"	2-13/64"	51/64"	5/16-24 x 7/16"	5/16-24 x 17/32"	9/16-18 x 1-1/4"
1262DC	1-5/32"	9/16"	1/2"-14 NPS	37/64"	1-1/16"	3/8"	10-32 x 1/4"	10-32 x 1/4"	14-28 x 5/8"
1263DC	1-13/32"	9/16"	3/4"-14 NPS	3/4"	1-1/16"	3/8"	10-32 x 1/4"	10-32 x 1/4"	14-28 x 5/8"
1264DC	1-3/4"	21/32"	1"-11-1/2 NPS	31/32"	1-1/16"	3/8"	10-32 x 1/4"	10-32 x 1/4"	14-28 x 5/8"

**150 Degree Insulated Grounding Bushings - Feed-thru Lug**

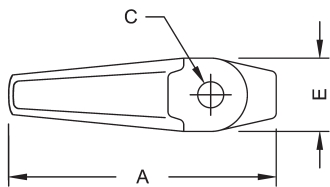
1222	1-5/32"	9/16"	1/2"-14 NPS	37/64"	1-1/16"	1/2"	10-32 x 1/4"	10-32 x 7/32"	14-28 x 3/8"
1223	1-13/32"	9/16"	3/4"-14 NPS	49/64"	1-1/16"	1/2"	10-32 x 1/4"	10-32 x 7/32"	14-28 x 3/8"
1224	1-3/4"	21/32"	1"-11-1/2 NPS	31/32"	1-1/16"	1/2"	10-32 x 1/4"	10-32 x 1/4"	14-28 x 3/8"
1225	2-1/8"	21/32"	1-1/4"-11-1/2 NPS	1-9/32"	1-1/16"	1/2"	10-32 x 1/4"	10-32 x 1/4"	14-28 x 3/8"
1226	2-11/32"	23/32"	1-1/2"-11-1/2 NPS	1-1/2"	1-1/16"	1/2"	10-32 x 1/4"	10-32 x 1/4"	14-28 x 3/8"
1228	2-23/32"	23/32"	2"-11-1/2 NPS	1-61/64"	1-1/16"	1/2"	10-32 x 1/4"	10-32 x 1/4"	14-28 x 3/8"
1230	3-9/32"	15/16"	2-1/2"- 8 NPS	2-19/64"	1-15/32"	5/8"	5/16-24 x 3/8"	5/16-24 x 3/8"	7/16-20 x 3/8"
1232RAC	3-7/8"	15/16"	3"- 8 NPS	2-29/32"	1-15/32"	5/8"	5/16-24 x 3/8"	5/16-24 x 3/8"	7/16-20 x 3/8"
1234	4-13/32"	15/16"	3-1/2"- 8 NPS	3-3/8"	1-3/4"	27-32"	5/16-24 x 3/8"	5/16-24 x 27/64"	5/8-18 x 11/16"
1236	4-29/32"	15/16"	4"- 8 NPS	3-55/64"	1-3/4"	27-32"	5/16-24 x 7/16"	5/16-24 x 27/64"	5/8-18 x 11/16"

A = O.D.  
 B = I.D.  
 C = Thread size  
 D = Thickness  
 E = Height of lug

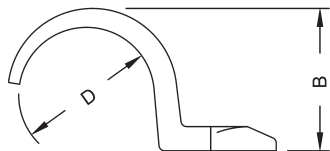
F = Width of lug  
 G = Screw spec, bonding screw  
 H = Screw spec, screw that holds lug to bushing  
 I = Screw spec, screw that holds ground wire

**RIGID STRAPS**

**One-Hole Push-on Straps**

CATALOG NUMBER	A	B	C	D	E
1332	1-59/64"	7/8"	9/32"	55/64"	7/8"
1333	2-5/16"	1-3/32"	9/32"	1-1/16"	3/4"
1334	2-11/16"	1-1/4"	9/32"	1-5/16"	3/4"
1335	3-1/8"	1-5/8"	11/32"	1-5/8"	7/8"
1336	3-27/32"	1-7/8"	13/32"	1-15/16"	7/8"
1338	4-9/16"	2-7/16"	13/32"	2-3/8"	7/8"
1337	5-5/16"	3"	21/32"	2-7/8"	1-1/4"
1339	6-1/16"	3-9/16"	21/32"	3-1/2"	1-1/4"
1340	6-7/8"	3-7/8"	21/32"	4"	1-1/4"
1341	7-3/8"	4-1/4"	21/32"	4-1/2"	1-1/4"

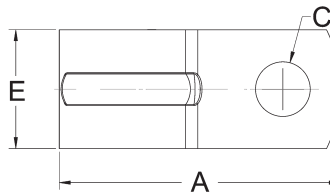

**One-Hole Straps**

CATALOG NUMBER	A	B	C	D	E
1301	1-7/8"	25/32"	11/32"	11/16"	21/32"
1302	2-1/64"	31/32"	9/32"	27/32"	5/8"
1303	2-7/32"	1-1/32"	5/16"	1-1/16"	3/4"
1304	2-23/32"	1-5/16"	23/64"	1-5/16"	29/32"
1305	3-1/32"	1-25/32"	13/32"	1-21/32"	51/64"
1306	3-27/32"	2-5/64"	27/64"	1-29/32"	1-1/16"
1308	4-1/2"	2-35/64"	9/16"	2-3/8"	1-13/32"
1310	5-3/8"	3-1/32"	35/64"	2-7/8"	1-5/16"
1312	6-39/64"	3-25/32"	9/16"	3-1/2"	1-31/64"
1314	7-7/8"	4-13/32"	45/64"	4"	2"
1316	8-15/64"	4-27/32"	3/4"	4-1/2"	2"


**One-Hole Straps**

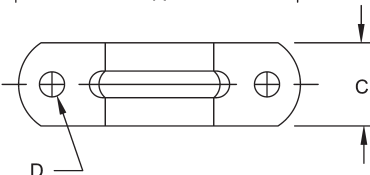
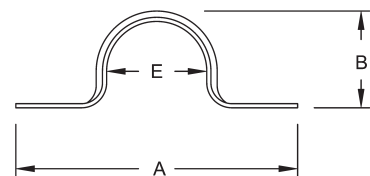
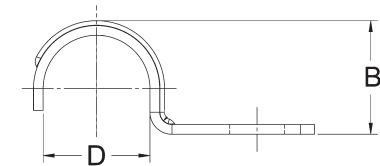
CATALOG NUMBER	A	B	C	D	E
2081	1.347"	.545"	.262"	.512"	.570"

A = Overall length      C = Hole size      E = Width of strap  
 B = Height                  D = Diameter


**Two-Hole Straps**

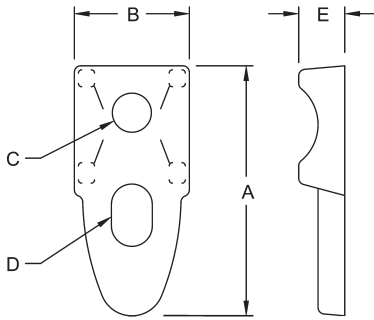
CATALOG NUMBER	A	B	C	D	E
2232	2-9/16"	7/8"	19/32"	3/16"	13/16"
2233	2-3/8"	1-1/8"	19/32"	3/16"	1-1/16"
2234	2-15/16"	1-31/32"	23/32"	1/4"	1-5/16"
2235	3-3/4"	1-11/16"	23/32"	1/4"	1-21/32"
2236	4-1/8"	1-7/8"	23/32"	1/4"	1-7/8"
2238	5"	2-7/16"	23/32"	17/64"	2-3/8"
2239	5-3/4"	3-1/8"	1"	5/16"	2-7/8"
2240	6-23/32"	3-11/16"	1"	5/16"	3-35/64"
2241	7-1/2"	3-15/16"	1"	5/16"	4-3/64"
2242	7-7/8"	4-11/16"	1"	5/16"	4-35/64"
2245-2	10-11/16"	5-43/64"	1-1/4"	21/32"	5-49/64"
2246-2	12-9/64"	6-19/32"	1-1/4"	21/32"	7"

A = Overall length      C = Strap width      E = Diameter  
 B = Overall height      D = Hole diameter



**DETAILED DRAWINGS**

**RIGID CLAMPBACKS**

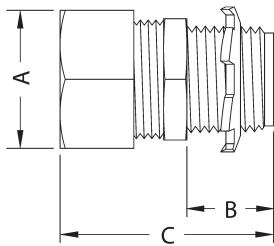


**Clamp Backs**

CATALOG NUMBER	A	B	C	D	E
1342	2-19/64"	1-1/32"	23/64"	3/8" x 9/16"	27/64"
1343	2-7/16"	1-11/64"	29/64"	27/64" x 21/32"	29/64"
1344	3-1/64"	1-17/64"	3/8"	33/64" x 23/32"	17/32"
1345	3-17/32"	1-19/32"	19/32"	1/2" x 47/64"	35/64"
1346	3-29/32"	1-39/64"	9/16"	9/16" x 15/16"	1/2"
1348	4-27/32"	1-63/64"	9/16"	37/64" x 25/32"	59/64"
1347	5-3/4"	2-13/32"	37/64"	39/64" x 1-1/4"	53/64"
1349	6-47/64"	2-5/8"	33/64"	19/32" x 1-15/64"	27/32"
1350	7-21/32"	3-17/64"	19/32"	43/64" x 1-7/64"	61/64"
1351	8-5/64"	3-7/16"	33/64"	7/8" x 1-19/64"	1-1/32"

A = Overall length  
 B = Width  
 C = Hole diameter  
 D = Slot size  
 E = Height

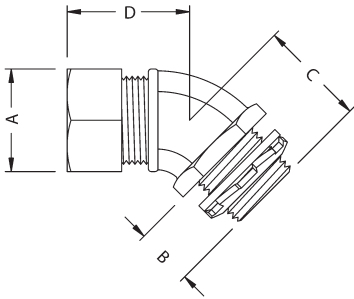
**LIQUIDTIGHT CONDUIT AND CORD CONNECTORS**



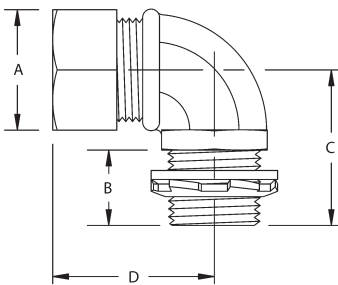
**Straight Connectors**

INSULATED CATALOG NO.	UNINSULATED CATALOG NO.	A	B	THREAD SPEC.	C
3511RAC	—	1-1/16"	1/2"	1/2"-14 NPT	1-29/64"
—	3401	1-1/16"	1/2"	1/2"-14 NPT	1-29/64"
—	3401-8	1-1/16"	1/2"	1/2"-14 NPT	1-29/64"
3512RAC	3402	1-3/16"	1/2"	1/2"-14 NPT	1-15/32"
3512-8	3402-8	1-3/16"	1/2"	1/2"-14 NPT	1-15/32"
3513RAC	3403	1-13/32"	9/16"	3/4"-14 NPT	1-31/64"
3513-8	3403-8	1-13/32"	9/16"	3/4"-14 NPT	1-31/64"
3514RAC	3404	1-45/64"	19/32"	1"-11-1/2 NPT	1-51/64"
3514-8	3404-8	1-45/64"	19/32"	1"-11-1/2 NPT	1-51/64"
3515RAC	3405	2-3/16"	43/64"	1-1/4"-11-1/2 NPT	1-7/8"
3516	3406	2-13/32"	47/64"	1-1/2"-11-1/2 NPT	2-11/64"
3518	3408	3-1/32"	21/32"	2"-11-1/2 NPT	2-9/32"
3520	3410	3-5/8"	1"	2-1/2"- 8 NPT	3-5/16"
3522	3412	3-3/8"	1-3/64"	3"- 8 NPT	3-1/2"
3524	3414	3-31/32"	1-1/8"	3-1/2"- 8 NPT	3-5/8"
3526	3416	5-35/64"	1-5/32"	4"- 8 NPT	3-5/8"

A = Nut Flats  
 B = Thread length and thread spec.  
 C = Overall Length

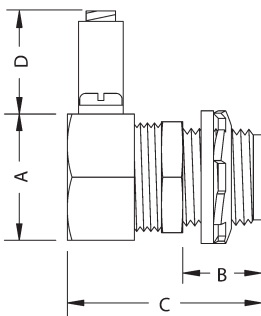
**LIQUIDTIGHT CONDUIT AND CORD CONNECTORS**

**45° Connectors**

INSULATED CATALOG NO.	UNINSULATED CATALOG NO.	A	B	THREAD SPEC.	C	D
3561	3441	1-1/16"	17/32"	1/2"-14 NPT	1-3/8"	1-1/32"
3562	3442	1-3/16"	9/16"	1/2"-14 NPT	1-1/4"	1-1/16"
3563	3443	1-13/32"	19/32"	3/4"-14 NPT	1-21/32"	1-3/16"
3564	3444	1-45/64"	5/8"	1"-11-1/2 NPT	1-21/32"	1-13/32"
3565	3445	2-3/16"	23/32"	1-1/4"-11-1/2 NPT	1-13/16"	1-1/2"
3566	3446	2-3/8"	47/64"	1-1/2"-11-1/2 NPT	2"	1-9/16"
3568	3448	3-1/32"	49/64"	2"-11-1/2 NPT	2-3/8"	1-3/4"


**90° Connectors**

INSULATED CATALOG NO.	UNINSULATED CATALOG NO.	A	B	THREAD SPEC.	C	D
3541RAC	3421	1-3/64"	35/64"	1/2"-14 NPT	1-3/8"	1-7/16"
—	3421-8	1-3/64"	35/64"	1/2"-14 NPT	1-3/8"	1-7/16"
3542	3422	1-11/64"	9/16"	1/2"-14 NPT	1-13/32"	1-5/8"
3542-8	3422-8	1-11/64"	9/16"	1/2"-14 NPT	1-13/32"	1-5/8"
3543	3423	1-13/32"	37/64"	3/4"-14 NPT	1-5/8"	1-7/8"
3543-8	3423-8	1-13/32"	37/64"	3/4"-14 NPT	1-5/8"	1-7/8"
3544	3424	1-45/64"	41/64"	1"-11-1/2 NPT	1-15/16"	2-1/8"
3544-8	3424-8	1-45/64"	41/64"	1"-11-1/2 NPT	1-15/16"	2-1/8"
3545	3425	2-3/16"	21/32"	1-1/4"-11-1/2 NPT	2-1/64"	2-1/4"
3546	3426	2-13/32"	49/64"	1-1/2"-11-1/2 NPT	2-1/4"	2-5/8"
3548	3428	3-1/32"	3/4"	2"-11-1/2 NPT	2-15/32"	3"
3550	3430	3-45/64"	1-1/32"	2-1/2"- 8 NPT	3-11/32"	5"
3552	3432	4-13/32"	1-1/16"	3"- 8 NPT	4-25/32"	5-7/16"
3556	3436	5-17/32"	1-3/16"	4"- 8 NPT	5-15/64"	6"

A = Nut Flats  
 B = Thread length and thread spec.  
 C = Thread to bend  
 D = Nut to bend

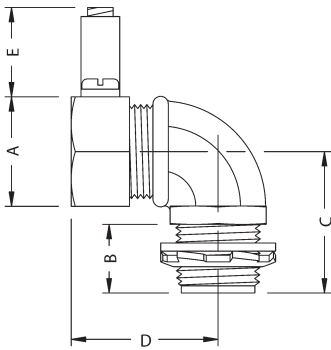
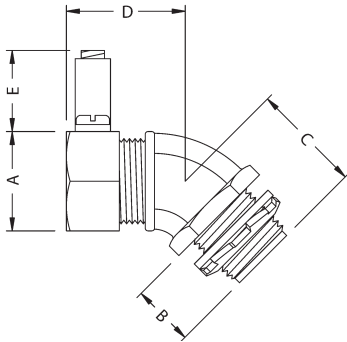

**Straight Connectors with Ground Lug**

INSULATED CATALOG NO.	A	B	THREAD SPEC.	C	D
3511-3	1-1/16"	1/2"	1/2"-14 NPT	1-29/64"	25/32"
3512-3	1-3/16"	1/2"	1/2"-14 NPT	1-15/32"	25/32"
3513-3	1-13/32"	9/16"	3/4"-14 NPT	1-31/64"	25/32"
3514-3	1-45/64"	19/32"	1"-11-1/2 NPT	1-51/64"	25/32"
3515-3	2-3/16"	43/64"	1-1/4"-11-1/2 NPT	1-7/8"	25/32"
3516-3	2-13/32"	47/64"	1-1/2"-11-1/2 NPT	2-11/64"	25/32"
3518-3	3-1/32"	21/32"	2"-11-1/2 NPT	2-9/32"	25/32"
3520-3	3-5/8"	1"	2-1/2"- 8 NPT	3-5/16"	1-11/64"
3522-3	3-3/8"	1-3/64"	3"- 8 NPT	3-1/2"	1-11/64"
3524-3	3-31/32"	1-1/8"	3-1/2"- 8 NPT	3-5/8"	1-13/16"
3526-3	5-35/64"	1-5/32"	4"- 8 NPT	3-5/8"	1-13/16"

A = Nut Flats  
 B = Thread length and thread spec.  
 C = Overall length  
 D = Lug height

**DETAILED DRAWINGS**

LIQUIDTIGHT CONDUIT AND CORD CONNECTORS



**45° Insulated Connectors with Ground Lug**

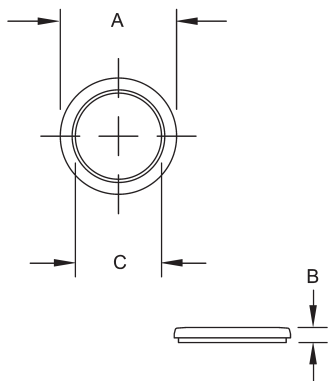
INSULATED CATALOG NO.	A	B	THREAD SPEC.	C	D	E
3561-3	1-1/16"	17/32"	1/2"-14 NPT	1-3/8"	1-1/32"	25/32"
3562-3	1-3/16"	9/16"	1/2"-14 NPT	1-1/4"	1-1/16"	25/32"
3563-3	1-13/32"	19/32"	3/4"-14 NPT	1-21/32"	1-3/16"	25/32"
3564-4	1-45/64"	5/8"	1"-11-1/2 NPT	1-21/32"	1-13/32"	25/32"
3565-3	2-3/16"	23/32"	1-1/4"-11-1/2 NPT	1-13/16"	1-1/2"	25/32"
3566-3	2-3/8"	47/64"	1-1/2"-11-1/2 NPT	2"	1-9/16"	25/32"
3568-3	3-1/32"	49/64"	2"-11-1/2 NPT	2-3/8"	1-3/4"	25/32"

**90° Insulated Connectors with Ground Lug**

INSULATED CATALOG NO.	A	B	THREAD SPEC.	C	D	E
3541-3	1-3/64"	35/64"	1/2"-14 NPT	1-3/8"	1-7/16"	25/32"
3542-3	1-11/64"	9/16"	1/2"-14 NPT	1-13/32"	1-5/8"	25/32"
3543-3	1-13/32"	37/64"	3/4"-14 NPT	1-5/8"	1-7/8"	25/32"
3544-3	1-45/64"	41/64"	1"-11-1/2 NPT	1-15/16"	2-1/8"	25/32"
3545-3	2-3/16"	21/32"	1-1/4"-11-1/2 NPT	2-1/64"	2-1/4"	25/32"
3546-3	2-13/32"	49/64"	1-1/2"-11-1/2 NPT	2-1/4"	2-5/8"	25/32"
3548-3	3-1/32"	3/4"	2"-11-1/2 NPT	2-15/32"	3"	25/32"
3550-3	3-45/64"	1-1/32"	2-1/2"- 8 NPT	3-11/32"	5"	1-11/64"
3552-3	4-13/32"	1-1/16"	3"- 8 NPT	4-25/32"	5-7/16"	1-11/64"
3556-3	5-17/32"	1-3/16"	4"- 8 NPT	5-15/64"	6"	1-13/64"

- A = Nut Flats
- B = Thread length and thread spec.
- C = Thread to bend
- D = Nut to bend
- E = Lug height

SEALING WASHERS

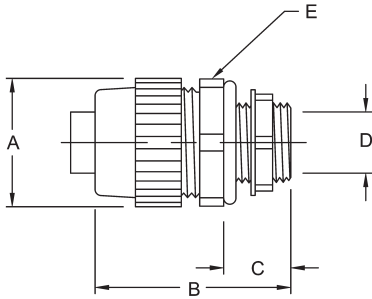


**Sealing Washers - Steel**

CATALOG NUMBER	A	B	C
2452	1-5/64"	5/64"	51/64"
2452-8	1-5/64"	5/64"	51/64"
2453	1-11/32"	5/32"	1"
2453-8	1-11/32"	5/32"	1"
2454	1-5/8"	11/64"	1-1/4"
2454-8	1-5/8"	11/64"	1-1/4"
2455	2"	11/64"	1-39/64"
2456	2-23/64"	3/16"	1-27/32"
2458	2-53/64"	3/16"	2-5/16"

- A = O.D.
- B = Thickness
- C = I.D.

LIQUIDTIGHT CONDUIT AND CORD CONNECTORS

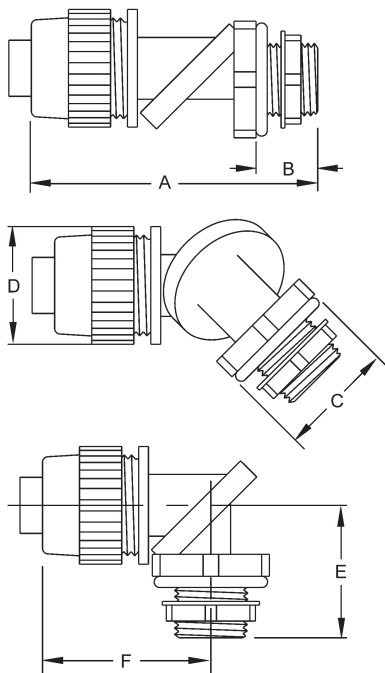


**Straight Connectors - Nylon - For Type B Conduit**

CATALOG NUMBER	A	B	C	D	E	
					A/C*	A/F**
4721	1.14"	1.63"	.57"	.42"	1.41"	1.30"
4722	1.30"	2.14"	.57"	.55"	1.41"	1.30"
4722-8	1.30"	2.14"	.57"	.55"	1.41"	1.30"
4723	1.53"	2.22"	.58"	.74"	1.85"	1.53"
4723-8	1.53"	2.22"	.58"	.74"	1.85"	1.53"
4724	1.80"	2.32"	.72"	.96"	1.94"	1.80"
4724-8	1.80"	2.32"	.72"	.96"	1.94"	1.80"
4725	2.20"	2.15"	.74"	1.30"	2.38"	2.18"
4726	2.49"	2.35"	.76"	1.46"	2.63"	2.43"
4728	3.05"	2.51"	.79"	1.90"	3.13"	2.93"

**Straight Connectors - Nylon - For Extra Flexible Tubing**

CATALOG NUMBER	A	B	C	D	E	
					A/C*	A/F**
4741	1.14"	1.63"	.57"	.42"	1.41"	1.30"
4742	1.30"	2.14"	.57"	.55"	1.41"	1.30"
4743	1.53"	2.22"	.58"	.74"	1.85"	1.53"
4744	1.80"	2.32"	.72"	.96"	1.94"	1.80"
4745	2.20"	2.15"	.74"	1.30"	2.38"	2.18"
4746	2.49"	2.35"	.76"	1.46"	2.63"	2.43"
4748	3.05"	2.51"	.79"	1.90"	3.13"	2.93"



**Multi Position Connectors - Nylon - For Extra Flexible Tubing**

CATALOG NUMBER	A	B	C		D	E	F
			A/C*	A/F**			
4731	3.27"	.57"	1.41"	1.30"	1.30"	1.43"	2.00"
4732	3.27"	.57"	1.41"	1.30"	1.30"	1.43"	2.00"
4732-8	3.27"	.57"	1.41"	1.30"	1.30"	1.43"	2.00"
4733	3.66"	.58"	1.65"	1.53"	1.53"	1.59"	2.23"
4733-8	3.66"	.58"	1.65"	1.53"	1.53"	1.59"	2.23"
4734	4.00"	.72"	1.94"	1.80"	1.80"	1.84"	2.30"
4734-8	4.00"	.72"	1.94"	1.80"	1.80"	1.84"	2.30"

**Multi Position Connectors - Nylon for Extra Flexible Tubing**

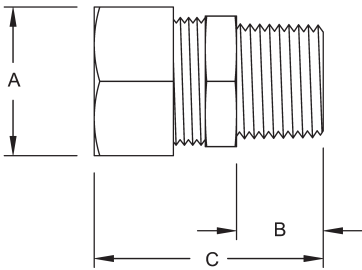
CATALOG NUMBER	A	B	C		D	E	F
			A/C*	A/F**			
4751	3.27"	.57"	1.41"	1.30"	1.30"	1.43"	2.00"
4752	3.27"	.57"	1.41"	1.30"	1.30"	1.43"	2.00"
4753	3.66"	.58"	1.65"	1.53"	1.53"	1.59"	2.23"
4754	4.00"	.72"	1.94"	1.80"	1.80"	1.84"	2.30"

\*A/C = Across corners  
 \*\*A/C = Across flats



## DETAILED DRAWINGS

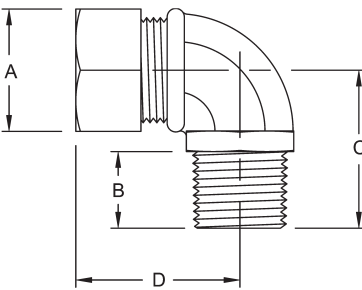
### LIQUIDTIGHT CONDUIT AND CORD CONNECTORS



#### Straight Strain Relief Cord Connectors

HUB SIZE	FORM SIZE	A	B	THREAD SPEC.	C
1/2"	F1	1-1/16"	1/2"	1/2"-14 NPT	1-29/64"
1/2"	F2	1-3/16"	1/2"	1/2"-14 NPT	1-15/32"
3/4"	F3	1-13/32"	9/16"	3/4"-14 NPT	1-31/64"
1"	F4	1-45/64"	19/32"	1"-11-1/2 NPT	1-51/64"
1-1/4"	F5	2-3/16"	43/64"	1-1/4"-11-1/2 NPT	1-7/8"
1-1/2"	F6	2-13/32"	47/64"	1-1/2"-11-1/2 NPT	2-11/64"

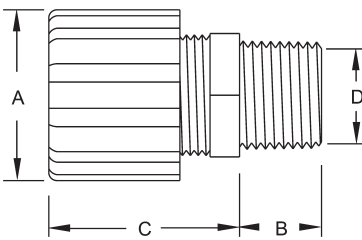
A = Nut Flats  
 B = Thread length and thread spec.  
 C = Overall Length



#### 90° Strain Relief Cord Connectors

HUB SIZE	FORM SIZE	A	THREAD SPEC.	B	C	D
1/2"	F1	1-3/64"	1/2"-14 NPT	35/64"	1-3/8"	1-7/16"
1/2"	F2	1-11/64"	1/2"-14 NPT	9/16"	1-13/32"	1-5/8"
3/4"	F3	1-13/32"	3/4"-14 NPT	37/64"	1-5/8"	1-7/8"

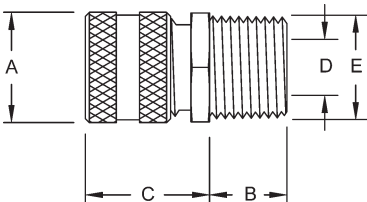
A = Nut Flats  
 B = Thread length and thread spec.  
 C = Thread to bend  
 D = Nut to bend



#### Strain Relief Cord Connectors - Nylon

HUB SIZE	FORM SIZE	A	B	C	D
1/4"	F1	63/64"	7/16"	1-3/32"	21/64"
3/8"	F1	63/64"	7/16"	1-3/32"	7/16"
1/2"	F2	1-1/4"	17/32"	1-1/2"	37/64"
3/4"	F3	1-31/64"	35/64"	1-5/8"	49/64"
1"	F4	1-27/32"	11/16"	1-3/4"	1-1/64"

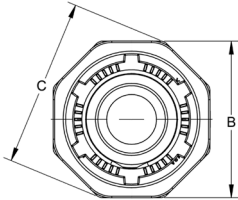
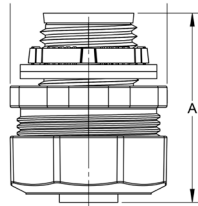
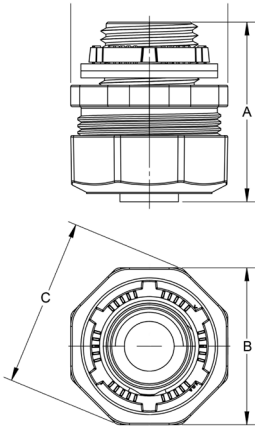
A = Nut O.D.  
 B = Thread length  
 C = Length to shoulder  
 D = Throat I.D.



#### Straight Strain Relief Cord Connectors - Aluminum

HUB SIZE	FORM SIZE	A DIA.	B REF.	C	D	E	
						A/C*	A/F**
1/2"	F1	.88"	.46"	.90"	.44"	1.00"	.88"
1/2"	F2	1.13"	.55"	1.10"	.64"	1.11"	1.00"
1/2"	F3	1.38"	.55"	1.50"	.64"	1.40"	1.25"
3/4"	F2	1.13"	.55"	1.10"	.64"	1.29"	1.13"
3/4"	F3	1.38"	.55"	1.50"	.82"	1.40"	1.25"
1"	F4	1.75"	.71"	1.60"	1.02"	1.81"	1.62"

\*A/C = Across corners      A = Nut O.D.      D = Throat I.D.  
 \*\*A/C = Across flats      B = Thread length      E = Hex  
 C = Length to shoulder

**DIE-CAST ZINC LIQUIDTIGHT CONNECTORS**

**Straight Connector, Insulated**

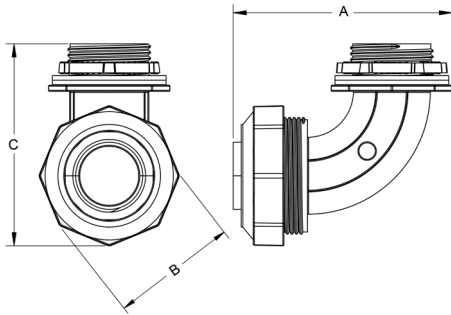
CATALOG NUMBER	SIZE	A	B	THREAD SPEC.	C	D
3401DC	3/8"	1.47"	1.28"	1/2" - 14 NPT	1.37"	0.61"
3402DC	1/2"	1.40"	1.29"	1/2" - 14 NPT	1.38"	0.61"
3403DC	3/4"	1.43"	1.58"	3/4" - 14 NPT	1.69"	0.82"
3404DC	1"	1.87"	1.84"	1" - 11-1/2 NPT	1.94"	1"
3405DC	1-1/4"	1.88"	2.27"	1 1/4" - 11 1/2 NPT	2.42"	1.36"
3406DC	1-1/2"	1.97"	2.48"	1 1/2" - 11 1/2 NPT	2.64"	1.60"
3408DC	2"	1.95"	3.01"	2" - 11 1/2 NPT	3.25"	2.07"

**Straight Connector, Uninsulated**

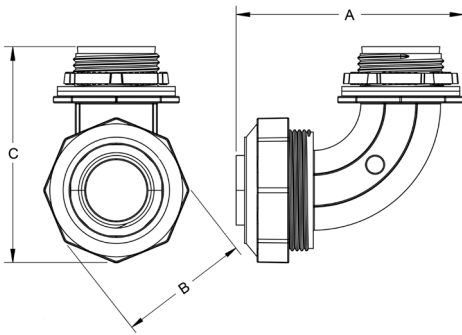
CATALOG NUMBER	SIZE	A	B	THREAD SPEC.	C	D
3511DC	3/8"	1.55"	1.28"	1/2" - 14 NPT	1.37"	0.41"
3512DC	1/2"	1.49"	1.29"	1/2" - 14 NPT	1.38"	0.54"
3513DC	3/4"	1.52"	1.58"	3/4" - 14 NPT	1.69"	0.71"
3514DC	1"	1.95"	1.84"	1" - 11-1/2 NPT	1.94"	0.94"
3515DC	1-1/4"	1.95"	2.27"	1 1/4" - 11-1/2 NPT	2.42"	1.26"
3516DC	1-1/2"	2.05"	2.48"	1 1/2" - 11-1/2 NPT	2.64"	1.41"
3518DC	2"	2.04"	3.01"	2" - 11-1/2 NPT	3.25"	1.89"
3520DC	2-1/2"	3.43"	3.78"	2 1/2" - 8 NPT	4.13"	2.32"
3522DC	3"	3.43"	4.35"	3" - 8 NPT	4.90"	2.95"
3524DC	3-1/2"	4.08"	4.85"	3 1/2" - 8 NPT	5.49"	3.32"
3526DC	4"	4.05"	5.25"	4" - 8 NPT	5.94"	3.82"

A = Overall length  
B = Clamping range

C = Max. width  
D = Throat I.D.

**DETAILED DRAWINGS**
**DIE-CAST ZINC LIQUIDTIGHT CONNECTORS**

**90° Insulated**

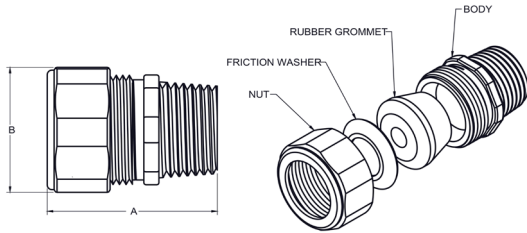
CATALOG NUMBER	SIZE	A	B	THREAD SPEC.	C	D
3421DC	3/8"	2.27"	1.37"	1/2" - 14 NPT	2.27"	0.41
3422DC	1/2"	2.27"	1.38"	1/2" - 14 NPT	2.27"	0.54
3423DC	3/4"	2.44"	1.69"	3/4" - 14 NPT	2.44"	0.71
3424DC	1"	3.37"	1.95"	1" - 11 1/2 NPT	3.37"	0.95
3425DC	1-1/4"	3.57"	2.42"	1 1/4" - 11 1/2 NPT	3.57"	1.27
3426DC	1-1/2"	3.74"	2.63"	1 1/2" - 11 1/2 NPT	3.74"	1.41
3428DC	2"	4.41"	3.25"	2" - 11 1/2 NPT	4.41"	1.90


**90° Uninsulated**

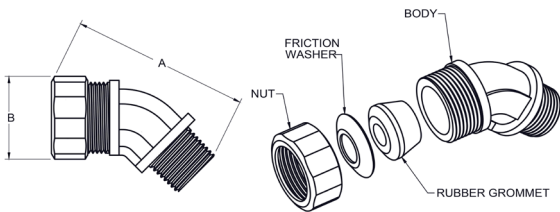
CATALOG NUMBER	SIZE	A	B	THREAD SPEC.	C	D
3541DC	3/8"	2.27"	1.28"	1/2" - 14 NPT	2.27"	0.41
3542DC	1/2"	2.27"	1.29"	1/2" - 14 NPT	2.27"	0.54
3543DC	3/4"	2.44"	1.58"	3/4" - 14 NPT	2.44"	0.71
3544DC	1"	3.37"	1.84"	1" - 11 1/2 NPT	3.37"	0.95
3545DC	1-1/4"	3.57"	2.27"	1 1/4" - 11 1/2 NPT	3.57"	1.27
3546DC	1-1/2"	3.74"	2.48"	1 1/2" - 11 1/2 NPT	3.74"	1.41
3548DC	2"	4.41"	3.02"	2" - 11 1/2 NPT	4.41"	1.90
3550DC	2-1/2"	6.39"	3.78"	2 1/2" - 8 NPT	5.68"	2.32
3552DC	3"	7.13"	4.35"	3" - 8 NPT	6.48"	2.95
3554DC	3-1/2"	8.49"	4.85"	3 1/2" - 8 NPT	7.16"	3.33
3556DC	4"	8.85"	5.25"	4" - 8 NPT	7.90"	3.82

A = Overall length  
B = Clamping range

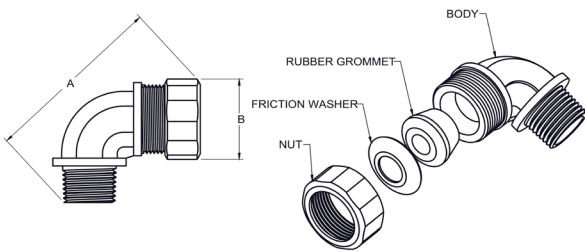
C = Overall height  
D = Throat I.D.

**COLOR-CODED CORD GRIP CONNECTORS**

**Straight Connectors**

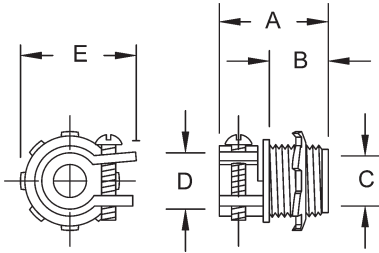
CATALOG NUMBER	TRADE SIZE	COLOR CODE	CABLE RANGE (IN.)	DIM A	DIM B
3722-0	1/2"	Red	.150-.250	1.44	1.13
3722-1	1/2"	White	.250-.350	1.44	1.13
3722-2	1/2"	Blue	.350-.450	1.44	1.13
3722-3	1/2"	Green	.450-.560	1.44	1.13
3722-4	1/2"	Brown	.550-.650	1.44	1.13
3723-0	3/4"	Red	.150-.250	1.5	1.25
3723-1	3/4"	White	.250-.350	1.5	1.25
3723-2	3/4"	Blue	.350-.450	1.5	1.25
3723-3	3/4"	Green	.450-.560	1.5	1.25
3723-4	3/4"	Brown	.550-.650	1.5	1.25
3723-6	3/4"	Yellow	.750-.850	1.69	1.31
3723-5	3/4"	Purple	.650-.750	1.69	1.31
3724-0	1"	Green	.450-.560	1.75	1.5
3724-1	1"	Brown	.550-.650	1.75	1.5
3724-5	1"	Yellow	.750-.850	1.75	1.5
3724-2	1"	Purple	.850-.950	1.94	1.63
3724-3	1"	Gray	.950-1.050	1.94	1.63
3724-4	1"	Black	.650-.750	1.75	1.5
3725-0	1-1/4"	Purple	.750-.850	1.94	1.88
3725-1	1-1/4"	Gray	.850-.950	1.94	1.88
3725-2	1-1/4"	Black	.950-1.050	2.06	2
3725-4	1-1/4"	Orange	1.250-1.375	2.06	2
3725-5	1-1/4"	Red	1.050-1.150	2.06	2
3725-3	1-1/4"	White	1.150-1.250	2.06	2
3726-0	1-1/2"	Black	.950-1.050	2.13	2.25
3726-1	1-1/2"	Orange	1.050-1.150	2.13	2.25
3726-2	1-1/2"	Red	1.150-1.250	2.13	2.25
3726-3	1-1/2"	White	1.250-1.375	2.13	2.25


**45° Connectors**

CATALOG NUMBER	TRADE SIZE	COLOR CODE	CABLE RANGE (IN.)	DIM A	DIM B
3745-0	1/2"	RED	.150-.250	2.56	1.25
3745-1	1/2"	WHITE	.250-.350	2.56	1.25
3745-2	1/2"	BLUE	.350-.450	2.56	1.25
3745-3	1/2"	GREEN	.450-.560	2.56	1.25
3745-4	1/2"	BROWN	.550-.650	2.56	1.25
3746-0	3/4"	RED	.150-.250	2.88	1.44
3746-1	3/4"	WHITE	.250-.350	2.88	1.44
3746-2	3/4"	BLUE	.350-.450	2.88	1.44
3746-3	3/4"	GREEN	.450-.560	2.88	1.44
3746-4	3/4"	BROWN	.550-.650	2.88	1.44
3746-5	3/4"	YELLOW	.650-.750	2.88	1.44
3746-6	3/4"	PURPLE	.750-.850	2.88	1.44
3747-0	1"	GREEN	.450-.560	3.13	1.75
3747-1	1"	BROWN	.550-.650	3.13	1.75
3747-2	1"	YELLOW	.650-.750	3.13	1.75
3747-3	1"	PURPLE	.750-.850	3.13	1.75
3747-4	1"	GRAY	.850-.950	3.94	1.75
3747-5	1"	BLACK	.950-1.050	3.94	1.75

**DETAILED DRAWINGS**
**COLOR-CODED CORD GRIP CONNECTORS**

**90° Connectors**

CATALOG NUMBER	TRADE SIZE	COLOR CODE	CABLE RANGE (IN.)	DIM A	DIM B
3794-0	1/2"	RED	.150-.250	2.75	1.25
3794-1	1/2"	WHITE	.250-.350	2.75	1.25
3794-2	1/2"	BLUE	.350-.450	2.75	1.25
3794-3	1/2"	GREEN	.450-.560	2.75	1.25
3794-4	1/2"	BROWN	.550-.650	2.75	1.25
3795-0	3/4"	RED	.150-.250	3.25	1.44
3795-1	3/4"	WHITE	.250-.350	3.25	1.44
3795-2	3/4"	BLUE	.350-.450	3.25	1.44
3795-3	3/4"	GREEN	.450-.560	3.25	1.44
3795-4	3/4"	BROWN	.550-.650	3.25	1.44
3795-5	3/4"	YELLOW	.650-.750	3.25	1.44
3795-6	3/4"	PURPLE	.750-.850	3.25	1.44
3796-0	1"	GREEN	.450-.560	3.75	1.75
3796-1	1"	BROWN	.550-.650	3.75	1.75
3796-2	1"	YELLOW	.650-.750	3.75	1.75
3796-3	1"	PURPLE	.750-.850	3.75	1.75
3796-4	1"	GRAY	.850-.950	3.88	1.75
3796-5	1"	BLACK	.950-1.050	3.88	1.75

**FLEXIBLE METAL CONDUIT FITTINGS**

**Straight Squeeze Connector, Insulated**

CATALOG NUMBER	A	B	THREAD SPEC.	C	D	E
3301	1-1/16"	13/32"	1/2"-14 NPS	.345	.528 - .640	1-23/64"
3302	1-23/64"	17/32"	1/2"-14 NPS	.590	.855 - .910	1-5/8"
3302-8	1-23/64"	17/32"	1/2"-14 NPS	.590	.855 - .910	1-5/8"
3303	1-15/32"	31/64"	3/4"-14 NPS	.763	1.043 - 1.122	1-15/16"
3303-8	1-15/32"	31/64"	3/4"-14 NPS	.763	1.043 - 1.122	1-15/16"
3304	1-11/16"	33/64"	1"-11-1/2 NPT	.935	1.364 - 1.408	2-25/64"
3304-8	1-11/16"	33/64"	1"-11-1/2 NPT	.935	1.364 - 1.408	2-25/64"
3305	1-51/64"	33/64"	1-1/4"-11-1/2 NPT	1.190	1.670 MAX.	2-9/16"
3306	2-15/32"	43/64"	1-1/2"-11-1/2 NPT	1.450	1.970 MAX.	2-27/32"
3308	2-3/4"	45/64"	2"-11-1/2 NPT	1.930	2.450 MAX.	3-11/32"
3310	3"	1-3/64"	2-1/2"- 8 NPS	2.358	3.080 MAX.	4-5/32"
3312	3-15/64"	1-5/64"	3"- 8 NPS	2.290	3.645 MAX.	5"
3314	5-13/64"	1-21/64"	3-1/2"- 8 NPS	3.425	4.060 MAX.	6-5/8"
3316	5-23/32"	1-39/64"	4"- 8 NPS	3.915	4.560 MAX.	7-15/64"

**Straight Squeeze Connector, Uninsulated**

2101	1-1/16"	13/32"	1/2"-14 NPS	.345	.528 - .640	1-23/64"
2102	1-33/64"	17/32"	1/2"-14 NPS	.590	.855 - .910	1-5/8"
2102-8	1-33/64"	17/32"	1/2"-14 NPS	.590	.855 - .910	1-5/8"
2103	1-15/32"	31/64"	3/4"-14 NPS	.763	1.043 - 1.122	1-15/16"
2103-8	1-15/32"	31/64"	3/4"-14 NPS	.763	1.043 - 1.122	1-15/16"
2104	1-11/16"	33/64"	1"-11-1/2 NPT	.935	1.364 - 1.408	2-25/64"
2104-8	1-11/16"	33/64"	1"-11-1/2 NPT	.935	1.364 - 1.408	2-25/64"
2105	1-51/64"	33/64"	1-1/4"-11-1/2 NPT	1.190	1.670 MAX.	2-9/16"
2106	2-15/32"	43/64"	1-1/2"-11-1/2 NPT	1.450	1.970 MAX.	2-27/32"
2108	2-3/4"	45/64"	2"-11-1/2 NPT	1.930	2.450 MAX.	3-11/32"
2110	3"	1-3/64"	2-1/2"- 8 NPS	2.358	3.080 MAX.	4-5/32"
2112	3-15/64"	1-5/64"	3"- 8 NPS	2.290	3.645 MAX.	5"
2114	5-1/64"	1-21/64"	3-1/2"- 8 NPS	3.425	4.060 MAX.	6-5/8"
2116	5-23/64"	1-39/64"	4"- 8 NPS	3.915	4.560 MAX.	7-15/64"

A = Overall length

B = Thread length and thread spec

C = Throat I.D.

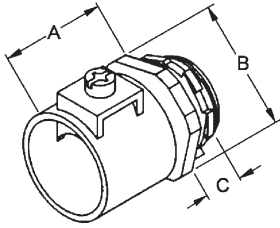
D = Clamping range

E = Maximum width body



**DETAILED DRAWINGS**

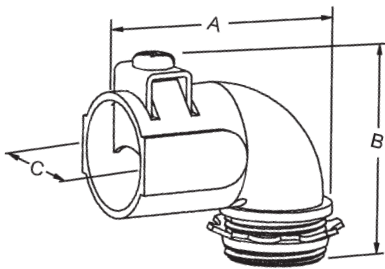
**FLEXIBLE METAL CONDUIT FITTINGS**



**Straight DOUBLE BITE Saddle Connectors**

CATALOG NUMBER	A	B	C
3301DB	1-3/16"	1-1/4"	1/2"
3302DB	1-3/8"	1-1/4"	7/16"
3303DB	1-3/8"	1-7/16"	7/16"
3304DB	1-9/16"	1-13/16"	1/2"
3305DB	2-3/16"	2-1/8"	5/8"
3306DB	2-7/16"	2-1/2"	5/8"
3308DB	2-9/16"	3"	5/8"
3310DB	2-11/16"	3-5/8"	13/16"
3312DB	2-13/16"	4-1/4"	15/16"
3314DB	2-15/16"	4-3/4"	1"
3316DB	3"	5-3/16"	1-1/16"

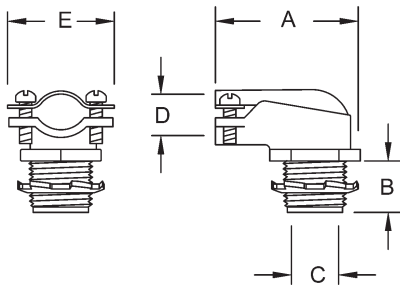
A = Overall length  
 B = O.D. body  
 C = Thread length



**90° DOUBLE BITE Saddle Connectors**

CATALOG NUMBER	A	B	C
3201DB	1-3/4"	2-1/16"	1"
3202DB	2-1/8"	2-1/4"	1-1/4"
3203DB	2-1/2"	2-1/2"	1-3/8"
3204DB	2-13/16"	2-7/8"	1-11/16"

A = Throat length  
 B = Overall height  
 C = Throat I.D.

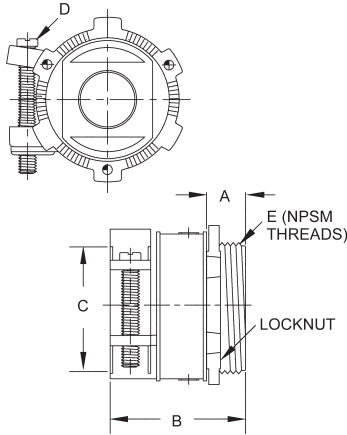


**90° Squeeze Connectors**

INSULATED CATALOG NO.	UNINSULATED CATALOG NO.	A	B	THREAD SPEC	C	D	E
3201	2201	2-1/64"	23/64"	1/2"-14 NPS	.570"	.390-.630"	1-3/8"
3202	2202	2-15/64"	27/64"	1/2"-14 NPS	.570"	.817-.950"	1-51/64"
3202-8	2202-8	2-15/64"	27/64"	1/2"-14 NPS	.570"	.817-.950"	1-51/64"
3203	2203	2-1/2"	1/2"	3/4"-14 NPS	.822"	.830-1.110"	1-31/32"
3203-8	2203-8	2-1/2"	1/2"	3/4"-14 NPS	.822"	.830-1.110"	1-31/32"
3204	2204	2-27/32"	33/64"	1"-11-1/2 NPS	.950"	1.295" MAX	2-11/32"
—	2204-8	2-27/32"	33/64"	1"-11-1/2 NPS	.950"	1.295" MAX	2-11/32"
3205	2205	4-13/64"	43/64"	1-1/4"-11-1/2 NPS	1.210"	1.535" MAX	2-55/64"
3206	2206	4-57/64"	19/32"	1-1/2"-11-1/2 NPS	1.450"	1.890" MAX	3-3/32"
3208	2208	6-35/64"	51/64"	2"-11-1/2 NPS	1.883"	2.415" MAX	3-51/64"
3210	2210	7-9/16"	1-7/64"	2-1/2"- 8 NPS	2.300"	2.515" MAX	4-21/64"
3212	2212	8-31/32"	1-3/64"	3"- 8 NPS	2.940"	3.025" MAX	5-1/16"
3214	2214	11-15/64"	1-17/64"	3-1/2"- 8 NPS	3.440"	3.700" MAX	6-51/64"
3216	2216	12-11/32"	1-9/16"	4"- 8 NPS	3.935"	4.050" MAX	7-17/64"

A = Overall length  
 B = Thread length and thread spec  
 C = Throat I.D.  
 D = Clamping range  
 E = Maximum width body

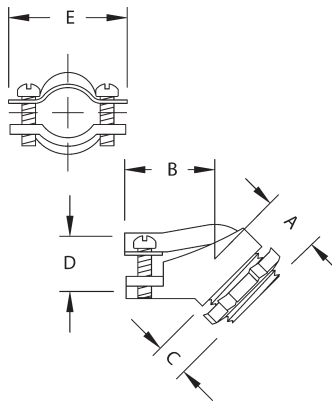
### FLEXIBLE METAL CONDUIT FITTINGS



#### Straight Squeeze Connectors, Uninsulated

CATALOG NUMBER	A	B	C	D	E
2191	13/32"	1"	21/32"	NO. 10x1.00	1/2"-14 NPSM
2192	1/2"	1-1/2"	63/64"	NO. 10x1.00	1/2"-14 NPSM
2193	1/2"	1-19/32"	1-3/16"	NO. 12x1.00	3/4"-14 NPSM
2194	9/16"	1-49/64"	1-29/64"	NO. 12x1.25	1"-11-1/2 NPSM
2195RAC	43/64"	1-31/32"	1-47/64"	NO. 12x1.25	1-1/4"-11-1/2 NPSM
2196RAC	19/32"	2"	2"	NO. 12x1.25	1-1/2"-11-1/2 NPSM
2198	19/32"	2-7/64"	2-35/64"	1/4-20x1.50	2"-11-1/2 NPSM

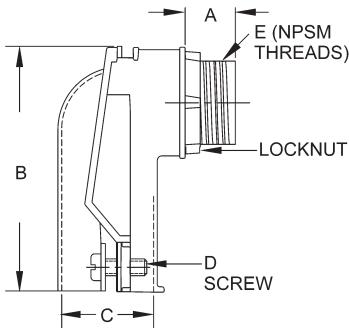
A = Thread length  
 B = Overall length  
 C = Conduit opening  
 D = Screw spec  
 E = Thread spec



#### 45° Squeeze Connectors, Uninsulated

CATALOG NUMBER	A	B	C	THREAD SPEC.	D	E
2221	5/8"	1-3/16"	1/2"	1/2" - 14	7/16" - 5/8"	1-3/8"
2222	1-3/16"	2"	1/2"	1/2" - 14	25-32" - 29/32"	1-3/8"

A = Length to end of fitting  
 B = Length to bend  
 C = Thread length and thread spec  
 D = Clamping range  
 E = Maximum width body



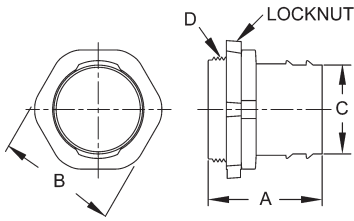
#### 90° Squeeze Connectors, Uninsulated

CATALOG NUMBER	A	B	C		D	E
			MIN.	MAX.		
2691	25/64"	1-25/32"	29/64"	25/32"	NO. 8 x 1/2"	1/2"-14 NPSM
2692	7/16"	2-1/8"	45/64"	1-5/32"	NO. 8 x 5/8"	1/2"-14 NPSM
2693	7/16"	2-3/32"	63/64"	1-13/32"	NO. 8 x 5/8"	3/4"-14 NPSM
2694	17/32"	2-27/32"	1-7/64"	1-53/64"	NO. 12 x 1"	1"-11-1/2 NPSM
2695	19/32"	3-15/16"	1-3/8"	2-1/16"	NO. 12 x 1"	1-1/4"-11-1/2 NPSM
2696	45/64"	6-1/16"	1-27/32"	2-1/16"	NO. 1/4-20 x 1-1/2"	1-1/2"-11-1/2 NPSM
2698	45/64"	6-1/4"	1-27/32"	2-1/16"	NO. 1/4-20 x 1-1/2"	2"-11-1/2 NPSM

A = Thread length  
 B = Overall length  
 C = Clamping range  
 D = Screw  
 E = Thread spec

**DETAILED DRAWINGS**

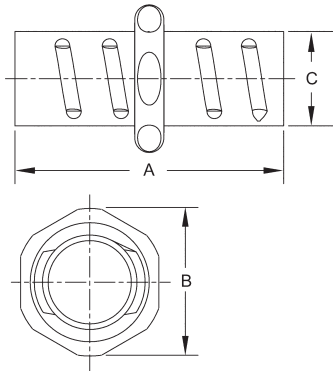
**FLEXIBLE METAL CONDUIT FITTINGS**



**Screw-in Type Connectors - Uninsulated**

CATALOG NUMBER	A	B	C	D THREAD SPEC.
2281	1-19/64"	59/64"	3/8"	1/2"-14 NPSM
2282	1-3/8"	59/64"	5/8"	1/2"-14 NPSM
2283	1-5/8"	1-1/8"	53/64"	3/4"-14 NPSM

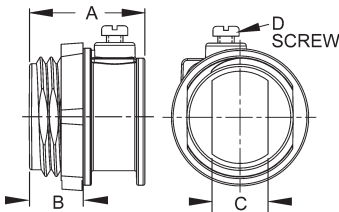
A = Overall length  
 B = Dia. across flats  
 C = Body Dia.  
 D = Thread spec



**Screw-in Type Couplings**

CATALOG NUMBER	A	B	C
2272	1-51/64"	31/32"	5/8"
2273	2-7/64"	1-7/32"	53/64"

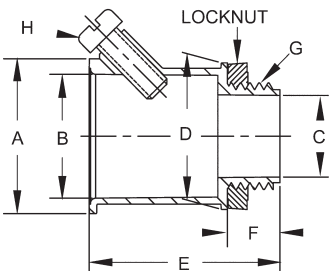
A = Overall length  
 B = Dia. across corners  
 C = Body Dia.



**Set Screw Connector**

CATALOG NUMBER	A	B	THREAD SPEC.	C	D
2511	25/32"	3/8"	1/2-14 NPSM	3/8"	10-24 x 1/2"

A = Overall length  
 B = Thread length  
 C = Throat Dia.  
 D = Screw Size

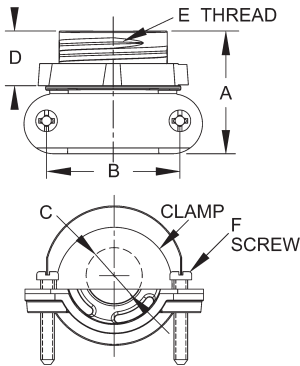


**Set Screw Connector**

CATALOG NUMBER	A	B	C	D	E	F	G	H
2632	1-3/16"	61/64"	39/64"	1-1/8"	1-1/2"	3/64"	1/2-14 NPSM	10-24 x 1/2"

A = Body O.D.  
 B = Body I.D.  
 C = Throat I.D.  
 D = Hub Dia.  
 E = Overall length  
 F = Thread length  
 G = Thread spec  
 H = Screw size and length

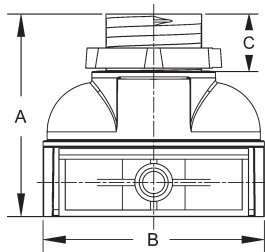
### FLEXIBLE METAL CONDUIT FITTINGS



#### Clamp Type Connector

CATALOG NUMBER	A	B	C	THREAD SPEC.	D	E
2661	27/32"	7/8"	23/64"	3/8"	1/2-14 NPSM	8-32 x 3/4"

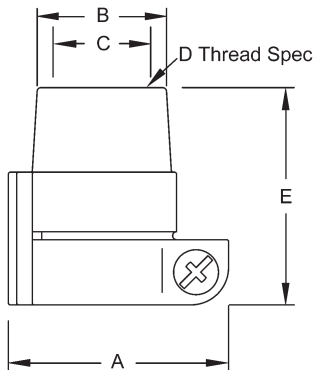
- A = Length
- B = Screw centerlines
- C = Clamping range
- D = Thread length
- E = Thread spec.
- F = Screw



#### Duplex Connector

CATALOG NUMBER	A	B	C
2611	1-1/2"	1-21/32"	7/16"

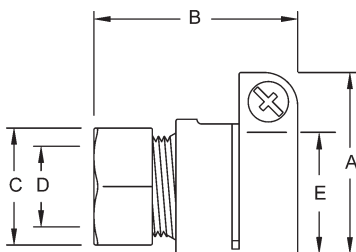
- A = Overall length
- B = Width
- C = Thread length



#### Flex to Rigid Couplings

CATALOG NUMBER	A	B	C	D THREAD SPEC.	E
1552	1-43/64"	1-13/64"	31/32"	1/2"- 14 NPT	1-1/2"
1553	1-3/4"	1-23/64"	1-1/8"	3/4"- 14 NPT	1-3/4"
1554	2-5/16"	1-21/32"	1-13/34"	1"- 11-1/2 NPT	1-53/64"

- A = Width across flex side
- B = Hub O.D.
- C = Hub I.D.
- D = Thread spec. hub
- E = Overall length



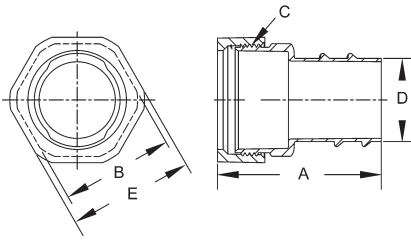
#### Flex EMT Squeeze Couplings

CATALOG NUMBER	A	B	C	D	E
1941	1-1/4"	1-5/16"	1-7/64"	23/32"	17/32"-5/8"
1942	1-1/2"	1-3/4"	1-7/64"	23/32"	13/16"-15/16"
1942-8	1-1/2"	1-3/4"	1-7/64"	23/32"	13/16"-15/16"
1943	1-3/4"	1-53/64"	1-3/8"	15/16"	1-1/32"-1-1/8"
1943-8	1-3/4"	1-53/64"	1-3/8"	15/16"	1-1/32"-1-1/8"

- A = Width across flex side
- B = Overall length
- C = Nut O.D.
- D = Nut I.D.
- E = Clamping range (flex side)

**DETAILED DRAWINGS**

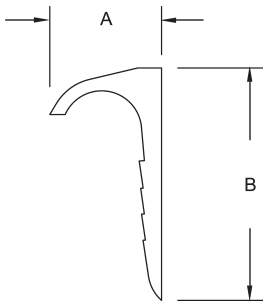
**FLEXIBLE METAL CONDUIT FITTINGS**



**Flex EMT Couplings Screw-In/Compression**

CATALOG NUMBER	A	B	C THREAD SPEC.	D	E
1482	1-21/32"	59/64"	7/8"-18 UNS	5/8"	31/32"
1483	1-51/64"	1-1/8"	1-5/64"-18 UNS	13/16"	1-7/32"
1484	1-63/64"	1-23/64"	1-23/64"-18 UNS	1"	1-33/64"

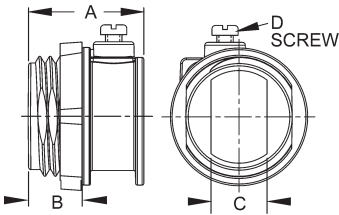
A = Overall length  
 B = Body across flat  
 C = Thread spec  
 D = Throat I.D.  
 E = Nut across flat



**Nail-up Straps Stamped**

CATALOG NUMBER	A	B
2252	1-1/16"	2-3/16"
2253	1-1/4"	2-19/64"
2254	1-1/2"	2-13/32"

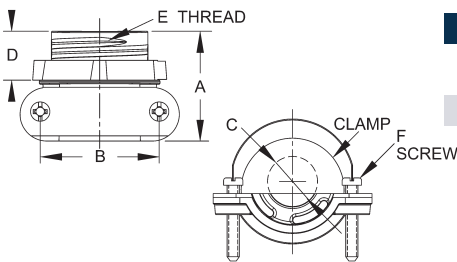
**ARMORED CABLE CONNECTORS**



**Set Screw Connector**

CATALOG NUMBER	A	B	THREAD SPEC.	C	D
2511	25/32"	3/8"	1/2-14 NPSM	3/8"	10-24 x 1/2"

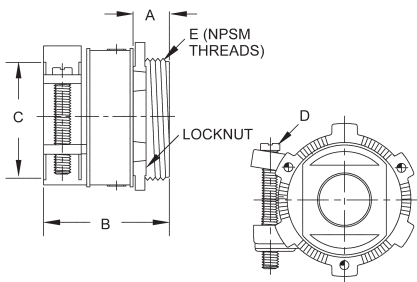
A = Overall length  
 B = Thread length  
 C = Throat Dia.  
 D = Screw Size



**Clamp Type Connector**

CATALOG NUMBER	A	B	C	THREAD SPEC.	D	E
2661	27/32"	7/8"	23/64"	3/8"	1/2-14 NPSM	8-32 x 3/4"

A = Length  
 B = Screw centerlines  
 C = Clamping range  
 D = Thread length  
 E = Thread spec.  
 F = Screw

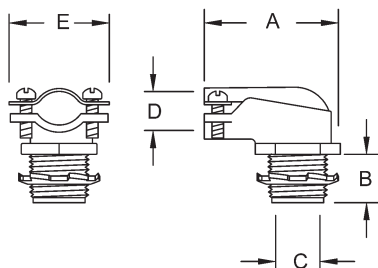


**Squeeze Type Connectors, Uninsulated**

CATALOG NUMBER	A	B	C	D	E
2191	13/32"	1"	21/32"	NO. 10x1.00	1/2"-14 NPSM
2192	1/2"	1-1/2"	63/64"	NO. 10x1.00	1/2"-14 NPSM
2193	1/2"	1-19/32"	1-3/16"	NO. 12x1.00	3/4"-14 NPSM
2194	9/16"	1-49/64"	1-29/64"	NO. 12x1.25	1"-11-1/2 NPSM

A = Thread length  
 B = Overall length  
 C = Conduit opening  
 D = Screw spec  
 E = Thread spec

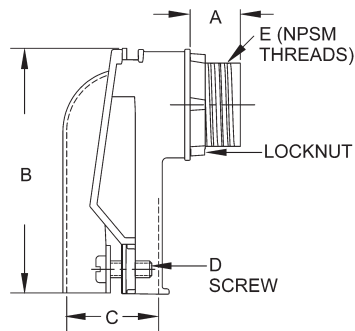
### ARMORED CABLE CONNECTORS



#### 90° Squeeze Connectors

INSULATED CATALOG NO.	UNINSULATED CATALOG NO.	A	B	THREAD SPEC	C	D	E
3201	2201	2-1/64"	23/64"	1/2"-14 NPS	.570"	.390-.630"	1-3/8"
3202	2202	2-15/64"	27/64"	1/2"-14 NPS	.570"	.817-.950"	1-51/64"
3202-8	2202-8	2-15/64"	27/64"	1/2"-14 NPS	.570"	.817-.950"	1-51/64"
3203	2203	2-1/2"	1/2"	3/4"-14 NPS	.822"	.830-1.110"	1-31/32"
3203-8	2203-8	2-1/2"	1/2"	3/4"-14 NPS	.822"	.830-1.110"	1-31/32"

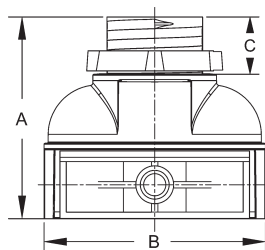
- A = Overall length
- B = Thread length and thread spec
- C = Throat I.D.
- D = Clamping range
- E = Maximum width body



#### 90° Squeeze Connectors, Uninsulated

CATALOG NUMBER	A	B	C		D	E
			MIN.	MAX.		
2691	25/64"	1-25/32"	29/64"	25/32"	NO. 8 x 1/2"	1/2"-14 NPSM
2692	7/16"	2-1/8"	45/64"	1-5/32"	NO. 8 x 5/8"	1/2"-14 NPSM
2693	7/16"	2-3/32"	63/64"	1-13/32"	NO. 8 x 5/8"	3/4"-14 NPSM

- A = Thread length
- B = Overall length
- C = Clamping range
- D = Screw
- E = Thread spec



#### Duplex Connector

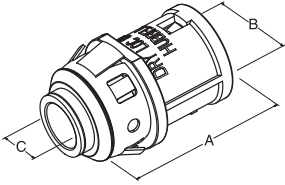
CATALOG NUMBER	A	B	C
2611	1-1/2"	1-21/32"	7/16"

- A = Overall length
- B = Width
- C = Thread length



**DETAILED DRAWINGS**

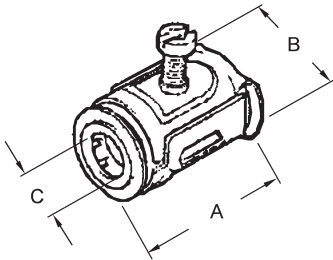
METAL CLAD CABLE CONNECTORS



**Push-in Connectors**

CATALOG NUMBER	A	B	C
<b>38RAC</b>	1-7/16"	27/32"	13/32"
<b>40RAC</b>	1-7/16"	27/32"	13/32"

A = Overall length  
 B = Body O.D.  
 C = Throat I.D.

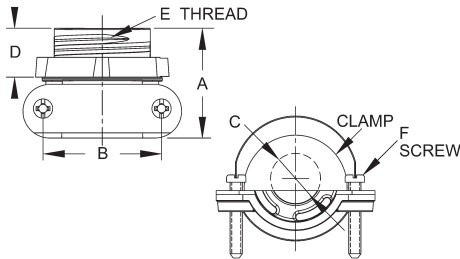


**Screw Type Cable Connectors**

CATALOG NUMBER	A	B	C
<b>2800</b>	1-7/16"	7/8"	7/16"
<b>2801</b>	1-11/16"	1-5/16"	9/16"

A = Overall length  
 B = Body O.D.  
 C = Throat I.D.

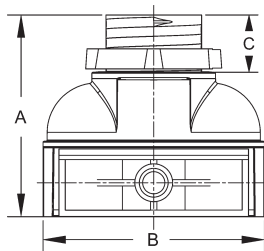
### METAL CLAD CABLE CONNECTORS



#### Clamp Type Cable Connector

CATALOG NUMBER	A	B	C	THREAD SPEC.	D	E
2661	27/32"	7/8"	23/64"	3/8"	1/2-14 NPSM	8-32 x 3/4"

A = Length  
 B = Screw centerlines  
 C = Clamping range  
 D = Thread length  
 E = Thread spec.  
 F = Screw

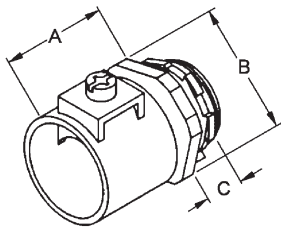


#### Duplex Connector

CATALOG NUMBER	A	B	C
2611	1-1/2"	1-21/32"	7/16"

A = Overall length  
 B = Width  
 C = Thread length

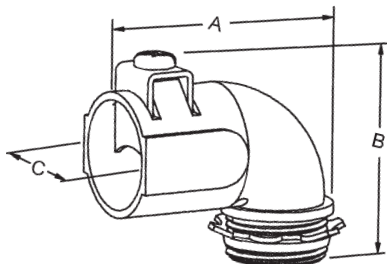
### DOUBLE BITE SADDLE CONNECTORS



#### Straight Saddle Connectors

CATALOG NUMBER	A	B	C
3301DB	1-3/16"	1-1/4"	1/2"
3302DB	1-3/8"	1-1/4"	7/16"
3303DB	1-3/8"	1-7/16"	7/16"
3304DB	1-9/16"	1-13/16"	1/2"
3305DB	2-3/16"	2-1/8"	5/8"
3306DB	2-7/16"	2-1/2"	5/8"
3308DB	2-9/16"	3"	5/8"
3310DB	2-11/16"	3-5/8"	13/16"
3312DB	2-13/16"	4-1/4"	15/16"
3314DB	2-15/16"	4-3/4"	1"
3316DB	3"	5-3/16"	1-1/16"

A = Overall length  
 B = O.D. body  
 C = Thread length



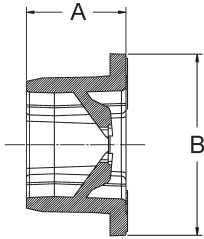
#### 90° Saddle Connectors

CATALOG NUMBER	A	B	C
3201DB	1-3/4"	2-1/16"	1"
3202DB	2-1/8"	2-1/4"	1-1/4"
3203DB	2-1/2"	2-1/2"	1-3/8"
3204DB	2-13/16"	2-7/8"	1-11/16"

A = Throat length  
 B = Overall height  
 C = Throat I.D.

**DETAILED DRAWINGS**

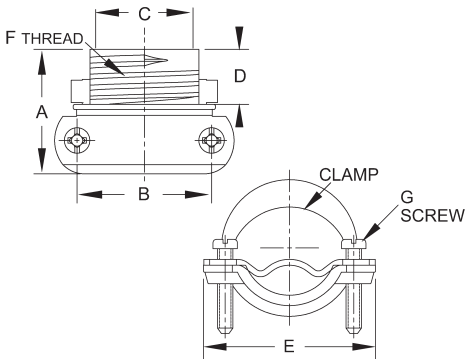
**NONMETALLIC SHEATHED CABLE CONNECTORS & ACCESSORIES**



**Nonmetallic Sheathed Cable Connector**

CATALOG NUMBER	A	B
4714	5/8"	1-9/64"

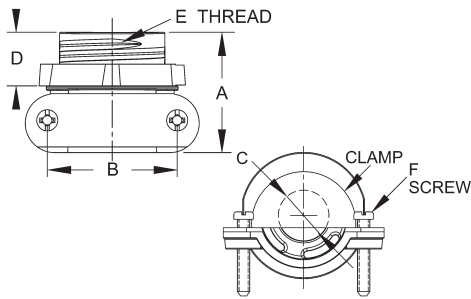
A = Overall length  
B = Flange O.D.



**Clamp Type Cable Connectors**

CATALOG NUMBER	A	B	C	D	E	F	G
2711	13/16"	7/8"	5/8"	23/64"	1-11/64"	1/2"-1/4 NPSM	NO. 8-32 x 3/4"
2863	15/16"	1-3/16"	27/32"	27/64"	1-21/32"	3/4"-1/4 NPSM	NO.10-24 x 1"
2864	1-7/64"	1-7/16"	1-3/64"	33/64"	1-15/16"	1"-11-1/2 NPSM	NO.10-24 x 1"

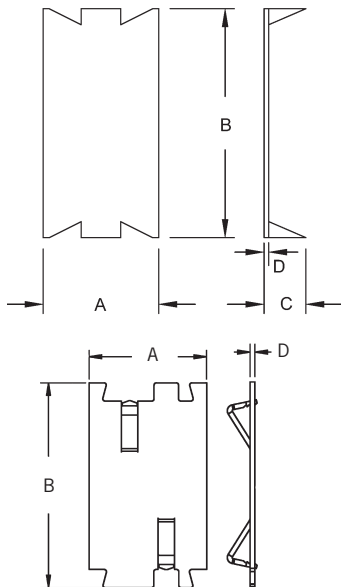
A = Length  
B = Screw centerlines  
C = Throat I.D.  
D = Thread length  
E = Max. body width  
F = Thread spec.  
G = Screw



**Clamp Type Cable Connector**

CATALOG NUMBER	A	B	C	D	E	F
2661	27/32"	7/8"	23/64"	3/8"	1/2"-14 NPSM	8-32 x 3/4"

A = Length  
B = Screw centerlines  
C = Throat I.D.  
D = Thread length  
E = Thread spec.  
F = Screw



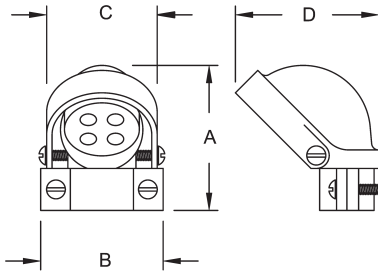
**Cable Protectors**

CATALOG NUMBER	A	B	C	D
2709	1-1/2"	2-9/16"	1/2"	1/16"
2709-9	1-1/2"	2-9/16"	1/2"	1/16"
2710	1-1/2"	2-9/16"	1/2"	1/16"

**PUZZLE-PLATE® Cable Protectors**

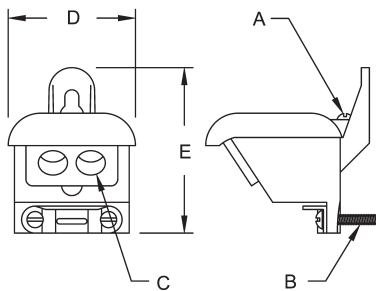
2712	1-1/2"	2-5/8"	—	3/64"
2712-9R	1-1/2"	2-5/8"	—	1/16"
2712R	1-1/2"	2-5/8"	—	1/16"
2713	1-1/2"	5"	—	3/64"
2713R	1-1/2"	5"	—	1/16"

A = Width  
B = Height  
C = Thickness – measure from the tip of the tang  
D = Thickness of material

**SERVICE ENTRANCE FITTINGS**

**Entrance Heads, Clamp Type for Rigid/IMC or EMT**

CATALOG NUMBER	A	B	C	D	INSULATING HOLE DIA.
2402	2-11/16"	2-1/4"	2-1/8"	2-37/64"	4 Holes 19/64" Dia.
2403	2-55/64"	2-1/4"	2-9/32"	2-63/64"	2 Holes 3/8" Dia., 3 Holes 13/32" Dia.
2404	3-9/32"	2-39/64"	2-39/64"	3-3/8"	3 Holes 1/2" Dia., 2 Holes 7/16" Dia.
2405	3-1/4"	3-3/32"	3-3/32"	4-7/32"	3 Holes 5/8" Dia., 2 Holes 7/16" Dia.
2406	4-43/64"	3-3/4"	3-13/32"	5-3/32"	3 Holes 3/4" Dia., 2 Holes 19/32" Dia., 1 Hole 7/16" Dia.
2408	6"	4-1/2"	4-23/32"	6-19/32"	3 Holes 1" Dia., 2 Holes 3/4" Dia., 1 Hole 17/32" Dia.
2410	8"	5-13/16"	6-7/16"	9-57/64"	3 Holes 1-5/16" Dia., 3 Holes 7/8" Dia., 1 Hole 1" Dia.
2412	8-7/64"	6-3/8"	6-7/16"	10-1/64"	3 Holes 1-5/16" Dia., 3 Holes 7/8" Dia., 1 Hole 1" Dia.
2414	9-9/16"	7-7/64"	8-5/32"	13-1/16"	3 Holes 1-5/16" Dia., 4 Holes 1-1/8" Dia.
2416	9-11/32"	7-61/64"	8-5/32"	13-7/32"	3 Holes 1-3/4" Dia., 4 Holes 1-1/8" Dia.

A = Height                      C = Width of head  
B = Width of clamp          D = Depth of head

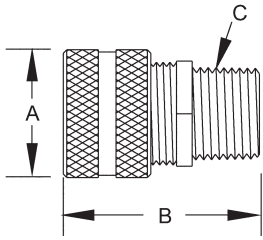

**Entrance Heads, Clamp Type for SEU Cable**

CATALOG NUMBER	A	B	C	D	E
2430	8-32 x 1/2"	10-24 x 1"	17/32"	3-5/16"	3-5/16"
2440	12-24 x 1/2"	12-24 x 1"	13/16"	4-1/2"	5"

A = Cover screw spec      D = Depth of head  
B = Clamp screw spec      E = Height  
C = Hole size

**DETAILED DRAWINGS**

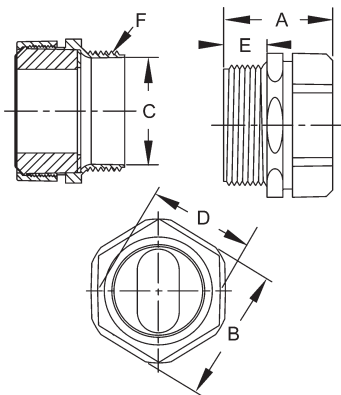
**SERVICE ENTRANCE FITTINGS**



**Underground Feeder (UF) Connectors, Liquid Tight**

CATALOG NUMBER	A	B	C
4899-9	1.25"	1.65"	1/2" - 14
4799-1	1.32"	2.03"	1/2" - 14
4799-3	1.56"	2.15"	3/4" - 14
2462	1.25"	1.75"	1/2" - 14

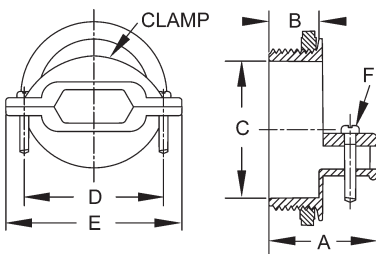
A = Nut O.D.  
 B = Length  
 C = Thread spec



**Service Entrance Cable Connectors, Liquid Tight**

CATALOG NUMBER	A	B	C	D	E	F
2475	2"	1-27/32"	1-23/64"	1-49/64"	39/64"	1-1/4" -11-1/2
2485	2"	1-27/32"	1-23/64"	1-49/64"	39/64"	1-1/4" -11-1/2
2486	2-3/16"	2-5/32"	1-19/32"	2-7/64"	39/64"	1-1/2" -11-1/2
2498	2-13/32"	2-37/64"	2-1/16"	2-21/32"	49/64"	2" -11-1/2
2468	2-13/32"	2-37/64"	2-1/16"	2-21/32"	49/64"	2" -11-1/2

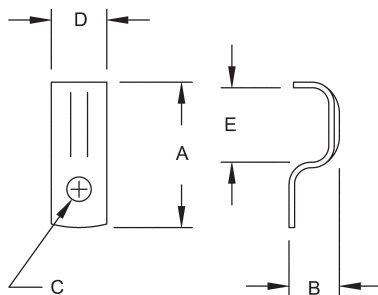
A = Overall length  
 B = Nut across flat  
 C = Throat dia.  
 D = Body across flat  
 E = Thread length  
 F = Thread spec



**Non-watertight Connectors for Oval or Round Cable**

CATALOG NUMBER	A	B	C	D	E	F
2853/2863	15/16"	27/64"	3/4" - 14 NPSM	1-3/16"	1-21/32"	No. 10-24 x 1"
2854/2864	1-7/64"	33/64"	1" - 11-1/2 NPSM	1-7/16"	1-15/16"	No. 10-24 x 1"
2855	1-5/16"	39/64"	1-1/4" - 11-1/2 NPSM	1-5/8"	2-1/4"	No. 10-24 x 1"
2856	1-21/64"	19/32"	1-1/2" - 11-1/2 NPSM	2-13/64"	2-27/32"	No. 10-24 x 1"
2858	1-37/64"	47/64"	2" - 11-1/2 NPSM	2-3/4"	3-1/2"	No. 12-24 x 1"

A = Overall length  
 B = Thread length and thread spec  
 C = Throat I.D.  
 D = Screw center to center  
 E = Maximum body width  
 F = Screw size

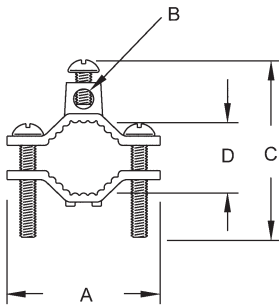


**One Hole Cable Straps**

CATALOG NUMBER	A	B	C	D	E
2441	1-5/8"	37/64"	9/32"	5/8"	13/16"
2442	1-55/64"	3/4"	9/32"	5/8"	1-3/64"
2443	1-21/32"	1"	9/32"	1"	1-7/16"
2444	2-59/64"	1-9/64"	9/32"	1"	1-45/64"

A = Overall length  
 B = Height  
 C = Hole size  
 D = Width of strap  
 E = Inside length

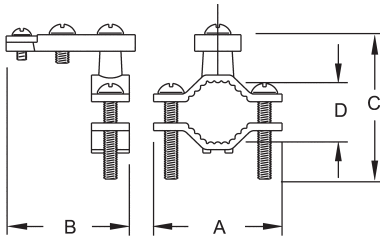
### GROUNDING



#### Ground Clamps for Bare Ground Wires

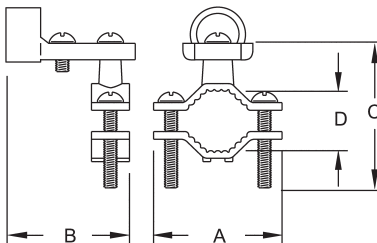
CATALOG NUMBER	A	B	C	D
2504	2-1/4"	5/16"	2-5/16"	11/16"-1-5/16"
2505	3-9/16"	5/16"	3-1/8"	1-3/8"-2-1/2"
2506	2-1/4"	5/16"	2-5/16"	11/16"-1-5/16"

A = Width  
 B = Hole diameter  
 C = Height  
 D = Min./Max. clamping range



#### Ground Clamps for Bare Armored Ground Wires

CATALOG NUMBER	A	B	C	D
2507	2-1/4"	2-3/8"	2-3/4"	9/16"-1-5/16"
2508	3-5/8"	2-1/4"	3-5/8"	1-3/8"-2-1/2"



#### Ground Clamps for 1/2" Rigid Conduit

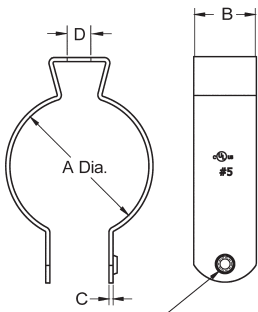
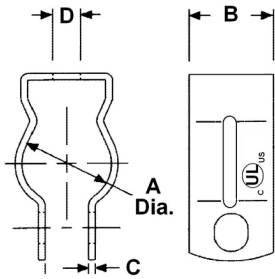
CATALOG NUMBER	A	B	C	D
2512	2-1/4"	2-1/2"	3-1/8"	5/8"-1-3/8"
2522	3-9/16"	1-15/16"	3-1/2"	1-1/4"-2-1/2"
2513	2-5/16"	2-1/8"	3-1/2"	11/16"-1-3/8"
2523	3-5/8"	2-3/16"	4-3/8"	1-7/16"-2-1/2"

A = Width  
 B = Length  
 C = Height  
 D = Min./Max. clamping range

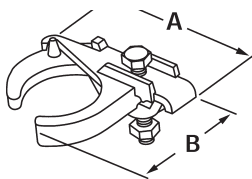
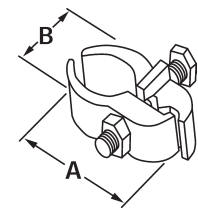
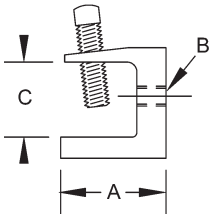


**DETAILED DRAWINGS**

**CONDUIT SUPPORT FITTINGS**



1/4-20UNC-2B THREAD ON EXTRUDED HOLE



**Conduit Hangers with Nut and Bolt**

CATALOG NUMBER	A	B	C	D
2052	0.80"	0.75"	0.04"	0.25"
2053	1.00"	0.75"	0.04"	0.25"
2054	1.20"	0.87"	0.04"	0.25"
2041	1.50"	0.87"	0.04"	0.25"
2055	1.70"	0.87"	0.04"	0.25"
2056	1.87"	1.00"	0.04"	0.31"
2058	2.25"	1.00"	0.04"	0.31"
2057	2.87"	1.25"	0.63"	0.31"
2059	3.50"	1.25"	0.63"	0.31"
2060	4.00"	1.25"	0.63"	0.31"
2061	4.50"	1.25"	0.63"	0.31"

**Conduit Hangers with Bolt and Threaded Hole**

2052TH	0.78"	0.73"	.055 - .062"	0.26"
2053TH	0.99"	0.72"	.055 - .062"	0.26"
2054TH	1.25"	0.89"	.055 - .062"	0.26"
2041TH	1.52"	0.88"	.055 - .062"	0.26"
2055TH	1.71"	1.00"	.055 - .062"	0.33"
2056TH	1.92"	1.00"	.055 - .062"	0.33"
2058TH	2.30"	1.00"	.055 - .062"	0.33"

**Beam Clamps**

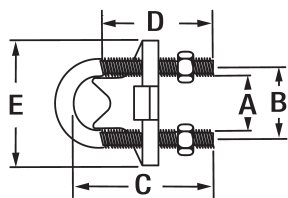
CATALOG NUMBER	A	B	C
2500	1-23/32"	1/4" - 20	21/32"
2524	1-11/32"	1/4" - 20	27/32"
2536	1-1/2"	5/16" - 8	15/16"
2538	1-27/32"	3/8" - 16	1-3/16"
2510	2-11/32"	1/2" - 13	1-1/4"

**Parallel Conduit Clamps**

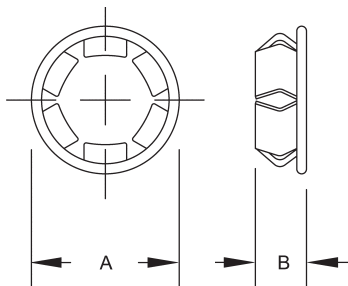
CATALOG NUMBER	A	B
2322PC	2-7/8"	1-7/16"
2323PC	3-1/16"	1-11/16"
2324PC	3-1/4"	2"
2325PC	3-5/8"	2-1/8"
2326PC	3-7/8"	2-3/16"
2328PC	4-5/8"	2-7/8"
2330PC	5-1/4"	3-1/4"
2332PC	5-7/8"	3-7/8"
2334PC	6-5/16"	4-5/16"
2336PC	6-13/16"	4-13/16"

**Edge Conduit Clamps**

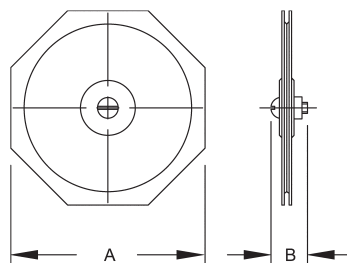
CATALOG NUMBER	A	B
2302EC	2-13/16"	2-1/8"
2303EC	2-15/16"	2-3/8"
2304EC	3-1/16"	2-5/8"
2305EC	3-1/16"	3-1/16"
2306EC	3-15/16"	3-1/4"
2308EC	4-1/2"	4-1/16"
2310PC	5-1/8"	4-5/8"
2312PC	5-3/4"	5-1/4"

**CONDUIT SUPPORT FITTINGS**

**Right Angle Conduit Clamps**

CATALOG NUMBER	A	B	C	D	E
2352RC	1"	1-1/4"	2-1/2"	1-13/16"	2-1/16"
2353RC	1-1/8"	1-33/8"	2-13/16"	1-13/16"	2-1/4"
2354RC	1-3/8"	1-5/8"	3-1/16"	1-13/16"	2-9/16"
2355RC	1-3/4"	2"	3-3/16"	1-13/16"	2-7/8"
2356RC	2"	2-3/8"	3-1/2"	1-13/16"	3-1/4"
2358RC	2-1/2"	2-1/2"	4-1/2"	2-5/8"	4-1/16"
2360RC	3"	3-1/4"	4-7/8"	2-5/8"	4-1/2"
2362RC	3-1/2"	3-7/8"	5-3/8"	2-5/8"	5-1/8"
2364RC	4"	4-9/16"	5-7/8"	2-5/8"	5-5/8"
2366RC	4-11/16"	5-1/16"	6-11/16"	2-5/8"	6-1/8"

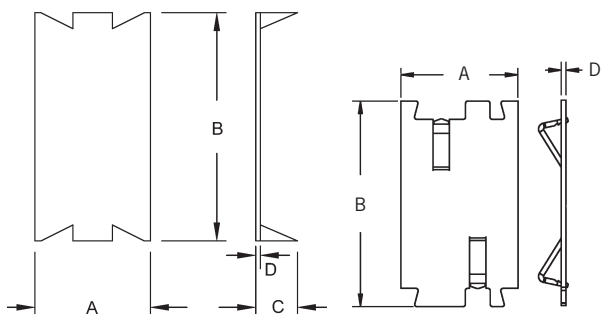
**MISCELLANEOUS FITTINGS**

**Knockout Seals, One Piece**

CATALOG NUMBER	A	B
1042	1-5/64"	23/64"
1043	1-15/64"	5/16"
1044	1-29/64"	11/32"
1045	1-13/16"	11/32"
1046	2-13/64"	11/32"
1048	2-43/64"	3/8"


**Knockout Seals, Two Piece**

CATALOG NUMBER	A	B
1037	3-3/16"	5/8"
1039	3-13/16"	5/8"
1040	4-3/8"	5/8"
1041	4-29/32"	5/8"

A = O. D.  
B = Height


**Cable Protectors**

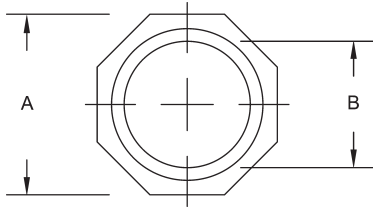
CATALOG NUMBER	A	B	C	D
2709	1-1/2"	2-9/16"	1/2"	1/16"
2709-9	1-1/2"	2-9/16"	1/2"	1/16"
2710	1-1/2"	2-9/16"	1/2"	1/16"

**PUZZLE-PLATE® Cable Protectors**

2712	1-1/2"	2-5/8"	—	3/64"
2712-9R	1-1/2"	2-5/8"	—	1/16"
2712R	1-1/2"	2-5/8"	—	1/16"
2713	1-1/2"	5"	—	3/64"
2713R	1-1/2"	5"	—	1/16"

A = Width  
B = Height

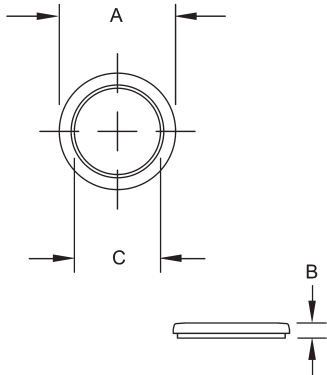
C = Thickness – measure from the tip of the tang  
D = Thickness of material

**DETAILED DRAWINGS**

**MISCELLANEOUS FITTINGS**
**Reducing Washers**

CATALOG NUMBER	A	B
1365	1-1/4"	7/8"
1366	1-17/32"	7/8"
1367	1-17/32"	1-3/32"
1368	1-31/32"	7/8"
1369	1-31/32"	1-3/32"
1370	1-31/32"	1-3/8"
1371	2-5/32"	7/8"
1372	2-5/32"	1-3/32"
1373	2-5/32"	1-3/8"
1374	2-5/32"	1-3/4"
1375	2-11/16"	7/8"
1376	2-11/16"	1-3/32"
1377	2-11/16"	1-3/8"
1378	2-11/16"	1-3/4"
1379	2-11/16"	1-31/32"
1380	3-3/16"	1-3/8"
1381	3-3/16"	1-3/4"
1382	3-3/16"	1-31/32"
1383	3-3/16"	2-15/32"
1384	3-13/16"	1-3/4"
1385	3-13/16"	1-31/32"
1386	3-13/16"	2-15/32"
1387	3-13/16"	3"
1389	4-3/8"	2-15/32"
1390	4-3/8"	3"
1391	4-3/8"	3-5/8"
1392	4-29/32"	2-15/32"
1393	4-29/32"	3"
1394	4-29/32"	3-5/8"

A = Across flats

B = I.D.

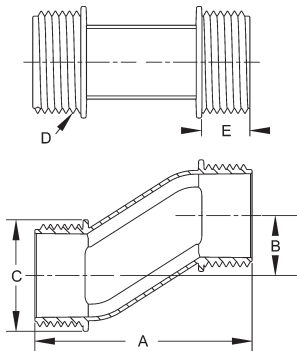

**Sealing Washers - Steel**

CATALOG NUMBER	A	B	C
2452	1-5/64"	5/64"	51/64"
2452-8	1-5/64"	5/64"	51/64"
2453	1-11/32"	5/32"	1"
2453-8	1-11/32"	5/32"	1"
2454	1-5/8"	11/64"	1-1/4"
2454-8	1-5/8"	11/64"	1-1/4"
2455	2"	11/64"	1-39/64"
2456	2-23/64"	3/16"	1-27/32"
2458	2-53/64"	3/16"	2-5/16"

A = O.D.

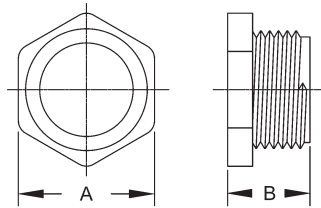
B = Thickness

C = I.D.

**MISCELLANEOUS FITTINGS**

**Offset Nipples**

CATALOG NUMBER	A	B	C	D	E
1452	2-27/64"	3/4"	15/16"	1/2" - 14 NPSM	7/16"
1453	2-13/32"	3/4"	1-3/16"	3/4" - 14 NPSM	7/16"
1454	2-23/32"	3/4"	1-25/64"	1" - 11/12 NPSM	39/64"
1455	2-13/16"	3/4"	1-13/16"	1-1/4" - 11-1/2 NPSM	19/32"
1456	3-1/32"	3/4"	2-1/16"	1-1/2" - 11-1/2 NPSM	11/16"
1458	3-5/32"	3/4"	2-9/16"	2" - 11-1/2 NPSM	3/4"

A = Overall length      D = Thread spec  
 B = Offset                E = Thread length  
 C = Hub dia.


**Uninsulated Nipples**

CATALOG NUMBER	A	B
1662	15/16"	19/32"
1663	1-3/16"	23/32"
1664	1-3/8"	55/64"
1665	1-47/64"	7/8"
1666	2-1/8"	29/32"
1668	2-35/64"	1-5/32"
1670	3-7/32"	1-7/16"
1672	3-51/64"	1-7/16"
1674	4-17/64"	1-7/16"
1676	4-51/64"	1-7/16"

A = Across flats  
 B = Length

